

INTRODUCTORY NOTE

This directory contains the names and addresses of physicians who are authorized to perform physical examinations and issue airman medical certificates for the Administrator of the Federal Aviation Administration. This 2012 edition follows the same format as previous editions, and contains updated Aviation Medical Examiner information compiled through Feb. 15 2012. All Aviation Medical Examiners listed in this directory are authorized to conduct airman physical examinations for Second and Third Class Medical Certificates. They are also authorized to issue the combined Medical-Student Pilot Certificate. Aviation Medical Examiners authorized to issue First Class Medical Certificates are identified by an (*) asterisk symbol.

Part 61 of the Federal Aviation Regulations describes the various types of airman operations and indicates the class of medical certification required.

Physicians interested in becoming Aviation Medical Examiners should request application forms from the FAA Regional Flight Surgeon.

SOUTHERN REGION

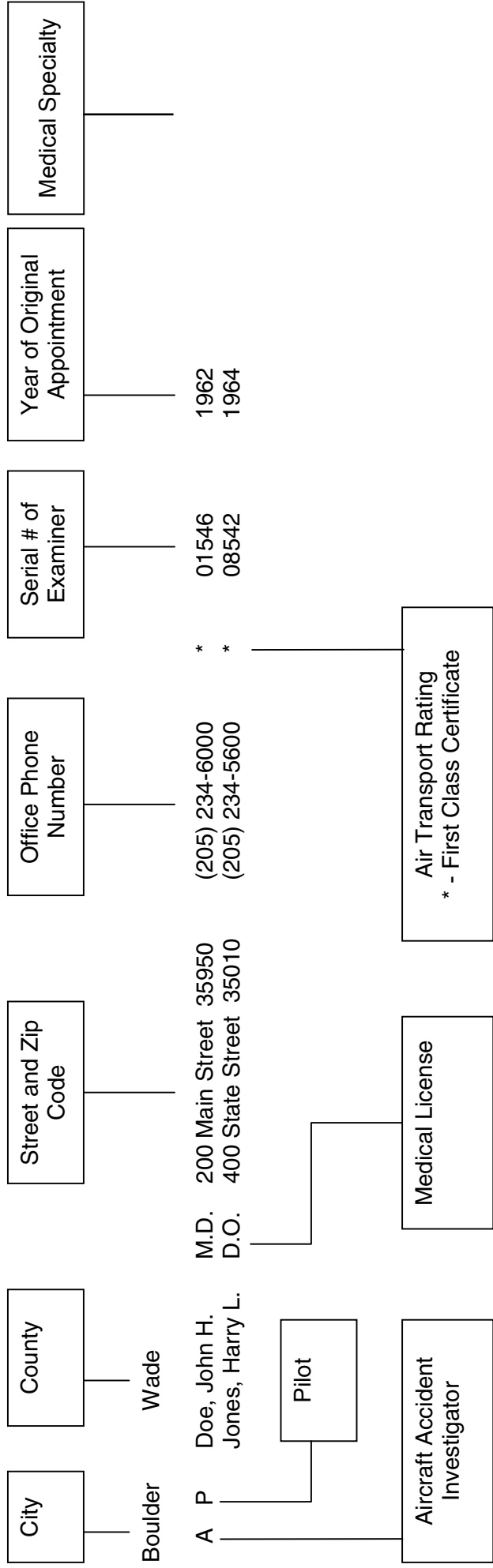
Susan E. Northrup, M.D.
Regional Flight Surgeon, ASO-300
Federal Aviation Administration
P.O. Box 20636
Atlanta, Georgia 30320-0636

Telephone (404) 305-6150
FAX (404) 305-6161

The following states are in the Southern Region:

| | |
|----------------|----------------|
| Alabama | Florida |
| Georgia | Kentucky |
| Mississippi | North Carolina |
| South Carolina | Tennessee |
| Puerto Rico | Virgin Islands |

FORMAT OF AVIATION MEDICAL EXAMINER DIRECTORY



You should make requests for changes or Corrections to your Regional Flight Surgeon.

ALABAMA

ALABASTER

ALRED, GINGER L BHC SHELBY INTERNAL MED, 636 2ND ST NE STE B (205) 663-5770 17576 1982 Internal Medicine
35007-0000

SHELBY

ALEXANDER CITY

P STIMSON, JOSEPH R 158 ARROWHEAD LOOP 35010-7300 (256) 329-1243 14949 1976 Obstetrics/Gynecology
P ROBINSON JR, O GORDC RUSSELL HOSPITAL PROFESSIONAL BLDG, 59 ALISON (205) 222-1608 12148 1974 Plastic Surgery
DRIVE 35010-
P ROBINSON JR, O GORDC RUSSELL HOSPITAL PROFESSIONAL BLDG, 3368 HIGHWAY (256) 329-2197 12148 1974 Plastic Surgery
280 STE 200 35010-

TALLAPOOSA

ANDALUSIA

P DIEL, KEVIN R ANDALUSIA MEDICAL CENTER, LLC, 301 MEDICAL AVENUE, (334) 427-2621 60111 2003 Aerospace Medicine
STE. A 36420-

COVINGTON

ANNISTON

A P CURTIN, RICHARD A SURGICAL CLINIC OF ANNISTON, 171 TOWN CENTER (256) 237-1624 * 15021 1977 General Surgery
DRIVE 36205-

CALHOUN

ATTALLA

P REILAND, ANDREW W NORTH ALABAMA FAMILY PRACTICE, 515 THIRD ST NW (256) 538-7273 21300 2001 Family Practice/General Practice
35954-0000

ETOWAH

AUBURN

STAUFFER, JOHN G ALABAMA OCCUP MEDICINE, 2515 EAST GLENN AVE STE (334) 821-7788 21232 1999 Family Practice/General Practice
106 36830-0000
P FREEMAN, RICHARD M 411B OPELIKA ROAD 36830-3905 (334) 821-4766 * 17511 1981 Pediatrics

LEE

BIRMINGHAM

P CHANDLER, MICHAEL A AMERICAN FAMILY CARE, 3000SHADES CREST RAOD (205) 201-7770 * 19072 1986 Aerospace Medicine
35216-
P CLOYD, MICHAEL L ST VINCENT'S OCC HLTH CTR, ONE LAKESHORE DR #301 (205) 930-2910 19229 1992 Occupational/Industrial Medicine
35209-0000
A P PAVA, BRUCE M 860 MONTCLAIR RD STE 156 35213-0000 (205) 599-3990 * 17540 1982 Internal Medicine

JEFFERSON

BOAZ

P REILAND, ANDREW W NORTH ALABAMA FAMILY PRACTICE, 11744 US HIGHWAY (256) 593-0251 21300 2001 Family Practice/General Practice
431 35956-0000

ETOWAH

CENTER POINT

P SULLIVAN, JAMES G PARKWAY MEDICAL CENTER, 1160 HUFFMAN RD (205) 815-5000 * 19017 1984 Family Practice/General Practice
35215-0000

JEFFERSON

CENTRE

P PERRY, BRIAN A PERRY MEDICAL CLINIC, 401 NORTHWOOD DRIVE (256) 927-3607 * 19304 1994 Family Practice/General Practice
35960-0000

CHEROKEE

CLANTON

P FOSHEE, PHILLIP D 310 PINEDALE RD 35045-0000 (205) 755-3877 * 09007 1965 Family Practice/General Practice

CHILTON

CULLMAN

BENCHINA, ANTHONY E. 1800 AL HIGHWAY 157, SUITE 101 35058-0000 (256) 739-3912 17510 1981 Family Practice/General Practice

CULLMAN

DALEVILLE

JONES, EMILY C. PRIMECARE, 144 VIRGINIA AVENUE, STE A 36322- (334) 503-9900 21559 2007 Family Practice/General Practice

DALE

DAPHNE

BRUMMETT, J GRANT EASTERN SHORE FAMILY PRACTICE, 27961 HWY 98 STE 14 (251) 626-1175 17571 1982 Family Practice/General Practice
36526-0000

BALDWIN

DECATUR

BARR, RUSSELL T. INTERNAL MED SPECIALISTS, 1215 7TH ST SE #240 (256) 355-5315 20488 1996 Internal Medicine
35601-3304

MORGAN

DOTHAN

NELSON, JOHN W 2115 WEST MAIN ST 36301-0000 (334) 793-6556 21430 2003 Family Practice/General Practice
WESSNER, JOHN C. WEST MAIN MEDICAL CENTER, 2115 WEST MAIN ST. (334) 793-6556 * 19069 1986 Internal Medicine
36302-0000

HOUSTON

ENTERPRISE

P LAWRENCE, WALTER J ENTERPRISE EXPRESS CARE, 805 EAST LEE STREET, (334) 348-8818 * 21435 2003 Aerospace Medicine
SUITE C 36330-
WILLIAMS, BRUCE R ENTERPRISE MEDICAL CLINIC, 101 PROFESSIONAL LANE (334) 347-3404 21377 2002 Internal Medicine
36330-0000
ELLIS, MARK B. NEW HORIZONS WELLNESS CENTER, 1018 RUCKER BLVD. (334) 347-4343 21531 2006 Family Practice/General Practice
36330-
COOK, HOWARD R HILLCREST MED PLAZA, 207 E WATTS ST #220 POB 310210 (334) 393-1056 19068 1986 Family Practice/General Practice
36331-0210

COFFEE

EUFAULA

P HAGGERTY III, JESSE C. FAMILY & COMMUNITY MEDICINE ASSOCIATES, 405 EAST (334) 687-0250 21356 2004 Family Practice/General Practice
BARBOUR ST., STE 3 36027-0000

BARBOUR

ALABAMA - (Cont.)

| | | | | | | |
|--------------------------|---|--------------------|-------|------|----------------------------------|--|
| FOLEY | | BALDWIN | | | | |
| HANKINS, JIMMY S. | COASTAL OCCUPATIONAL MED &, PAIN MANAGEMENT 915 WEST LAUREL AVENUE 36535- | (251) 943-5440 | 21164 | 1997 | Family Practice/General Practice | |
| FORT PAYNE | | DE KALB | | | | |
| P ISBELL III, JOHN B | ISBELL MED GROUP PC, 550 MEDICAL CTR DR POB 680199 35968-0199 | (256) 845-8885 | 19145 | 1989 | Family Practice/General Practice | |
| GREENVILLE | | BUTLER | | | | |
| P MC GOWIN III, NORMAN F | 45 MEDICAL ARTS CT STE 4 PO BOX 398 36037-0000 | (334) 382-6864 * | 19226 | 1992 | General Surgery | |
| GUNTERSVILLE | | MARSHALL | | | | |
| P HENDERSON, STEPHEN | LAKESHORE FAMILY PRACTICE, 2308 HOMER CLAYTON DRIVE 35976-2206 | (256) 582-2581 | 18982 | 1984 | Family Practice/General Practice | |
| HALEYVILLE | | WINSTON | | | | |
| P HARRISON, BOYDE J | 904 - 26TH ST, PO BOX 655 35565-0000 | (205) 486-5234 * | 19269 | 1993 | Family Practice/General Practice | |
| HAMILTON | | MARION | | | | |
| P KERR II, JOHN M | HAMILTON FAMILY MED CLNC, 1336 MILITARY ST SOUTH 35570-0000 | (205) 921-3153 | 17548 | 1982 | Family Practice/General Practice | |
| HUNTSVILLE | | MADISON | | | | |
| P GARBER, JEFFREY G | HUNTSVILLE CLINIC FAMILY PRACTICE, 420 LOWELL DR SE, SUITE 201 35801-3763 | (256) 535-5944 | 21375 | 2002 | Family Practice/General Practice | |
| P LARY JR., JOHN H. | 600 ST CLAIR AVE BLDG 5 STE 12-B 35801-0000 | (256) 533-1510 | 18941 | 1983 | Internal Medicine | |
| REA, JOSEPH L | OCCUPATIONAL HEALTH GROUP, 1963 MEMORIAL PARKWAY STE 24 35801-0000 | (256) 265-7000 | 21304 | 2001 | Occupational/Industrial Medicine | |
| JASPER | | WALKER | | | | |
| P BOSWELL, SCOTT H. | BOSWELL FAMILY CLINIC, 1325 HIGHWAY 195 35503- | (205) 302-0284 | 21463 | 2005 | Family Practice/General Practice | |
| MADISON | | MADISON | | | | |
| P PATTERSON, CHARLES C | AVIATION MEDICINE, 175 D CHESTNUT DR 35758- | (256) 325-2359 * | 17509 | 1981 | Family Practice/General Practice | |
| MOBILE | | MOBILE | | | | |
| ROSS III, ROBERT L | INDUSTRIAL MEDICAL CLINIC, 305 NORTH WATER ST 36602-0000 | (251) 431-5802 * | 21402 | 2003 | Occupational/Industrial Medicine | |
| P EICHOLD, BERNARD H. | MOBILE CO HLTH DEPT, 251 N BAYOU ST 36652-0000 | (251) 690-8101 * | 19339 | 1994 | Internal Medicine | |
| MONTGOMERY | | MONTGOMERY | | | | |
| HENDON, A STUART | MONTGOMERY FAMILY MEDICINE, 8190 SEATON PLACE 36116-0000 | (334) 396-9100 | 21349 | 2002 | Family Practice/General Practice | |
| P KEMP, ROGER W | CE ALABAMA PAIN MANAGEMENT CTR, 1709 FORREST AVE 36106-0000 | (334) 264-3302 * | 21317 | 2001 | Aerospace Medicine | |
| GOGAN, FRANK J | 1030 WOODLEY RD 36106- | (334) 832-1914 * | 19101 | 1987 | Family Practice/General Practice | |
| BELL, SCOTT A. | 7020 SYDNEY CURVE 36117- | (334) 277-5363 | 21552 | 2007 | Internal Medicine | |
| MOODY | | SAINT CLAIR | | | | |
| P BUCKINGHAM, JOHN L | 1324 MARKETTA SPUR ROAD 35004-0000 | (205) 640-2833 * | 17144 | 1978 | Family Practice/General Practice | |
| OZARK | | DALE | | | | |
| P KREUTZMANN, ROBERT | KREUTZMANN MED CLINIC, 359 JAMES ST 36360-0000 | (334) 774-7572 * | 21197 | 1998 | Aerospace Medicine | |
| PINSON | | JEFFERSON | | | | |
| BRYANT, DAVID P | PINSON MEDICAL OFFICES PA, 4338 MAIN ST 35126-0000 | (205) 681-7902 | 21528 | 2003 | Family Practice/General Practice | |
| SHEFFIELD | | COLBERT | | | | |
| P COLLIGNON JR, WILLIAM | SHOALS SURGICAL GROUP, 1120 S JACKSON HWY, SUITE 105 35660- | (256) 383-0423 * | 19178 | 1991 | General Surgery | |
| P ALBERT, CHARLES F | 1120 S JACKSON HWY STE 301A 35660-0000 | (256) 389-9693 | 21351 | 2002 | Internal Medicine | |
| TROY | | PIKE | | | | |
| DI CHIARA, PETER M | PIKE INTERNAL MED, 1350 HWY 231 S STE B 36081-0000 | (334) 566-1270 * | 19336 | 1994 | Internal Medicine | |
| P PEURIFOY JR, J TOM | 1340 US HIGHWAY 231 SOUTH 36081- | (334) 670-5568 * | 17404 | 1980 | General Surgery | |
| TUSCALOOSA | | TUSCALOOSA | | | | |
| REYNOLDS, DOUGLAS S | UNIVERSITY FAMILY PRACTICE, 904 ANNA AVENUE 35401-0000 | (205) 345-6960 | 19173 | 1990 | Family Practice/General Practice | |
| VESTAVIA HILLS | | JEFFERSON | | | | |
| P PARK, PAUL F | AMERICAN FAMILY CARE, 200 MONTGOMERY HWY, SUITE 100 35216- | (205) 201-7770 * | 16275 | 1992 | General Surgery | |
| P CROW III, CHARLES B | BROOKWOOD INTERNAL MEDICINE, 2017 CANYON ROAD, SUITE 39 35216-1928 | (205) 871-7746 * | 17292 | 1979 | Internal Medicine | |

FLORIDA

FLORIDA - (Cont.)

| | | | | | | | |
|--------------------------|---|---------------------|---|-------|------|----------------------------------|--|
| ALTAMONTE SPRINGS | | SEMINOLE | | | | | |
| MACOOL, JAMES J | SHELL'S LANDING, 1022 WEST STATE RD 436 STE 1006 32714-2919 | (407) 774-7781 | * | 17574 | 1982 | Family Practice/General Practice | |
| APOPKA | | ORANGE | | | | | |
| P GEBAUER, MICHAEL R. | MEDICAL OFFICE, 202 PARK AVENUE 32703-5943 | (407) 889-4711 | * | 17120 | 1978 | Family Practice/General Practice | |
| ATLANTIS | | PALM BEACH | | | | | |
| P RICHMOND, HENRY J. | 142 JOHN F. KENNEDY DRIVE 33462-0000 | (561) 967-3446 | | 20501 | 1997 | Pediatrics | |
| AVENTURA | | MIAMI-DADE | | | | | |
| P HANABERGH, ENRIQUE | 21110 BISCAYNE BLVD STE 206 33180-0000 | (305) 933-2111 | | 21183 | 1998 | Internal Medicine | |
| AVON PARK | | HIGHLANDS | | | | | |
| GELDART, DONALD B | FLORIDA PHYSICIANS MEDICAL GRP, FAMILY PRACTICE CTR OF AVON PARK 1006 W PLEASANT ST 33825-0000 | (863) 453-3121 | | 19284 | 1993 | Family Practice/General Practice | |
| BARTOW | | POLK | | | | | |
| P MCMICKEN, THOMAS E | WATSON CLINIC BARTOW, 2250 OSPREY BLVD STE 100 33830-4614 | (863) 533-7151 | * | 14952 | 1976 | Family Practice/General Practice | |
| BELLEVIEW | | MARION | | | | | |
| P SHELLEY, RONALD P. | BELLEVIEW MED CNTR, 6108 SE FRONT RD BOX 127 34421-0000 | (352) 245-2288 | * | 17139 | 1978 | Family Practice/General Practice | |
| BIG PINE KEY | | MONROE | | | | | |
| P GRIDER, DAVID F | MED & MINOR EMERG CTR, US 1 MM 30 POB 536 33043-0536 | (305) 872-3321 | | 16041 | 1979 | Family Practice/General Practice | |
| BOCA GRANDE | | | | | | | |
| HUMBARGER, JEFFREY / | BOCA GRANDE HEALTH CLINIC, 320 PARK AVENUE, PO BOX517 | (941) 964-2276 | * | 21188 | 1998 | Internal Medicine | |
| BOCA RATON | | PALM BEACH | | | | | |
| REZNICK, STEVEN E | UNIVERSITY MEDICAL ASSOCIATES, 7280 W PALMETTO PARK RD, STE 205-N 33433- | (561) 368-0191 | * | 19277 | 1993 | Internal Medicine | |
| KARDON, LAURIE ANN | 7035 BERACASA WAY, SUITE 105 33433- | (561) 361-1515 | * | 21395 | 2003 | Occupational/Industrial Medicine | |
| P MC CAULEY, JAMES W | 951 NW 13TH ST STE 3-D 33486-0000 | (561) 392-0310 | * | 11896 | 1970 | Family Practice/General Practice | |
| LEVINE, RICHARD A | 7280 W PALMETTO PARK RD, STE 205-N 33433- | (561) 368-0191 | * | 19313 | 1994 | Internal Medicine | |
| BONITA SPRINGS | | LEE | | | | | |
| BRIDEWELL, BRUCE M | PILOT HEALTHCARE, 3501 HEALTH CENTER BLVD STE 2180 34134- | (239) 992-7822 | * | 19146 | 1989 | Family Practice/General Practice | |
| BOYNTON BEACH | | PALM BEACH | | | | | |
| P FINE, IRA M. | 10075 JOG ROAD STE 202 33437- | (561) 375-8800 | | 21513 | 2006 | Internal Medicine | |
| BRADENTON | | MANATEE | | | | | |
| P RIVERA, ENRIQUE | HEALTH CARE AMERICA, 3501 CORTEZ RD WEST 34210-3104 | (941) 752-2840 | * | 21518 | 2006 | Internal Medicine | |
| P MC CANN, ROBERT K | MC CANN MEDICINE & LAW, P.C., 7303 DUNES COURT 34202-0000 | (941) 359-3203 | * | 20203 | 1995 | Family Practice/General Practice | |
| KOSER, ROBERT B | 5939 17TH AVE W 34209-0000 | (941) 795-1135 | | 21417 | 2003 | Family Practice/General Practice | |
| P PACE, JOSEPH N. | HEART & VASCULAR CENTER OF BRADENTON, 2101 61ST STREET WEST 34209- | (941) 761-4448 | | 21523 | 2006 | Internal Medicine | |
| BRANDON | | HILLSBOROUGH | | | | | |
| GUPTA, BHUPENDRA K | MEDICAL SERVICES, 613 MEDICAL CARE DRIVE 33511-0000 | (813) 653-9996 | * | 21425 | 2003 | Occupational/Industrial Medicine | |
| BROOKSVILLE | | HERNANDO | | | | | |
| GONZALEZ, DENNIS | 44 VETERANS AVENUE 34601-0000 | (352) 797-3500 | | 21191 | 2000 | Family Practice/General Practice | |
| CAPE CANAVERAL | | BREVARD | | | | | |
| MIGNOGNA, JOSEPH J. | COMPREHENSIVE HEALTH SERVICES INC, 677 DAVE NISBET DR. STE 101 32920- | (321) 868-3949 | * | 21504 | 2005 | Occupational/Industrial Medicine | |
| CAPE CORAL | | LEE | | | | | |
| P DRASS, EDWARD F | 530 SE 16TH PLACE, STE B 33990-0000 | (239) 574-2224 | | 17429 | 1980 | Family Practice/General Practice | |
| CLEARWATER | | PINELLAS | | | | | |
| P CASTILLENTI, THOMAS A | FLORIDA MEDICAL CLINIC, 626 LAKEVIEW ROAD 33756- | (727) 462-0225 | * | 16536 | 1994 | General Surgery | |
| OHLEYER, HENRY A. | 1320 S BELCHER RD 33764- | (727) 539-0400 | | 21562 | 2008 | Internal Medicine | |
| P LAGUNA, JOSEPH A. | 2725 PARK DRIVE 33763-0000 | (727) 797-3798 | * | 19248 | 1993 | Internal Medicine | |
| P COUPE, GEORGE H. | AVIATION MEDICAL CENTER, 1320 SOUTH BELCHER RD 33764-0000 | (727) 531-3593 | * | 11937 | 1970 | Family Practice/General Practice | |
| WEISS, WENDY | DIAGNOSTIC CLINIC, 3131 N MCMULLEN BOOTH RD 33761-0000 | (727) 726-8871 | | 21287 | 2007 | Family Practice/General Practice | |
| P BEAMAN, THOMAS F | 1290 SOUTH MISSOURI AVENUE SUITE B 33756-0000 | (727) 462-0225 | * | 21310 | 2001 | Internal Medicine | |

FLORIDA - (Cont.)

| | | | | | | | |
|-------------------------|-------------------------|---|----------------|-------|-------|----------------------------------|----------------------------------|
| COCOA | | BREVARD | | | | | |
| P | ACOSTA, ALESSANDRO I | FAMILY HEALTH AT COCOA, 1317 WEST POINT DR 32922-0000 | (321) 636-2621 | 20425 | 1997 | Family Practice/General Practice | |
| P | FLYNN JR., JOSEPH D. | 5005 PORT ST JOHN PARKWAY 32927-0000 | (321) 268-6140 | * | 12756 | 1978 | Family Practice/General Practice |
| COCONUT CREEK | | BROWARD | | | | | |
| | LAVERNIA, FRANK | INTERNAL MED & DIABETES, 4855 W HILLSBORO BLVD SUITE B-6 33073-0000 | (954) 418-8146 | 19257 | 1993 | Internal Medicine | |
| CORAL GABLES | | MIAMI-DADE | | | | | |
| P | NORDT III, JOHN CHARLE | 4720 LEJEUNE RD 33146-0000 | (305) 662-2851 | 19254 | 1993 | Orthopedic Surgery | |
| CRYSTAL RIVER | | CITRUS | | | | | |
| | CORBETT, ROBERT M | PO BOX 1120 521 SE FORT ISLAND TRAIL, STE E 34429-1120 | (352) 563-5858 | 15209 | 1977 | Family Practice/General Practice | |
| P | REDRICK, SCOTT J. | 582 SE 7TH AVE 34429- | (352) 564-8245 | 21516 | 2006 | Surgeon | |
| DAVIE | | BROWARD | | | | | |
| | MCGEE, DANIEL E. | URGENT MED INC, 2337 SOUTH UNIVERSITY DRIVE 33324- | (954) 423-9234 | 21588 | 2009 | Family Practice/General Practice | |
| DAYTONA BEACH | | VOLUSIA | | | | | |
| P | REES, RYAN R. | EAST VOLUSIA FAMILY PRACTICE, PA, 201 NORTH CLYDE MORRIS BLVD SUITE 240 32114- | (386) 258-4836 | 21580 | 2009 | Family Practice/General Practice | |
| | WOODARD, GERALD R | SHORES MED CTR, 3512 S ATLANTIC AVE 32127- | (386) 767-9544 | 19162 | 1990 | Family Practice/General Practice | |
| DEBARY | | VOLUSIA | | | | | |
| P | MCCLANAHAN, BERRY J | 476 EAGLEBROOK COURT 32713-0000 | (386) 956-2141 | 10271 | 1991 | Pathology | |
| DEERFIELD BEACH | | BROWARD | | | | | |
| P | KOTTURAN, PAUL A | ALLERGY & FAMILY MED, 220 SO. WEST NATURA AVENUE 33441-0000 | (954) 360-7000 | * | 19150 | 1990 | Family Practice/General Practice |
| DEFUNIAK SPRINGS | | WALTON | | | | | |
| P | WILLIAMS III, REDDOCH I | 4415 HIGHWAY 331 SOUTH 32435- | (850) 621-5645 | * | 12250 | 1975 | Family Practice/General Practice |
| DELAND | | VOLUSIA | | | | | |
| | RANKIN, BRUCE G. | FAMILY PRACTICE OF W VOLUSIA, 862 PEACHWOOD DR 32720- | (386) 740-7080 | 19369 | 1995 | Family Practice/General Practice | |
| P | THORPE JR. ARTHUR N. | ARTHUR THORPE DELAND JET CENTER, 955 SINGLETON DRIVE | (202) 294-3815 | 21593 | 2010 | Obstetrics/Gynecology | |
| DUNEDIN | | PINELLAS | | | | | |
| P | HALEY, BOBBY R | AVIATION MEDICINE, 180 PATRICIA AVE 34698-0000 | (727) 422-6237 | * | 12003 | 1971 | Family Practice/General Practice |
| FERNANDINA BEACH | | NASSAU | | | | | |
| | MATRICIA, DANIEL J. | AMELIA URGENT CARE, 96279 BRADY POINT ROAD 32034- | (904) 321-0088 | * | 21549 | 2006 | Family Practice/General Practice |
| | ULLAH, FARID | AMELIA INSTITUTE OF CARDIOLOGY, 2334 SOUTH 8TH STREET 32034-0000 | (904) 261-6135 | 12153 | 1974 | Internal Medicine | |
| FORT LAUDERDALE | | BROWARD | | | | | |
| | FELDMAN, SETH A | MEDWORK 84, 407 SE 24TH ST 33316-0000 | (954) 467-2140 | * | 21404 | 2003 | Family Practice/General Practice |
| | OHAYON, KEVIN A | 1555 EAST OAKLAND PARK BLVD 33334-0000 | (954) 565-9966 | 21429 | 2003 | Family Practice/General Practice | |
| P | LOJKO, ALBERT T | SUNSHINE, 1347 SOUTH ANDREWS AVE. 33316- | (954) 767-9999 | * | 13863 | 2007 | Internal Medicine |
| | KHANI, HOWARD S | 2140 NE 26TH ST 33305-0000 | (954) 396-3274 | 19278 | 1993 | Family Practice/General Practice | |
| | BLANCHAR, RICHARD W | BAYVIEW GENERAL MEDICINE, 4401 W TRADEWINDS AVE 33308-0000 | (954) 776-6992 | * | 19270 | 1994 | Family Practice/General Practice |
| | GRENET, EDUARDO E | HEALTH MED CENTERS, 1493 SE 17 ST 33316-0000 | (954) 525-7595 | * | 21277 | 2001 | Family Practice/General Practice |
| P | PERRAUD JR., GEORGE I | 3165 SW DAVIE BLVD 33312-2728 | (954) 583-9903 | * | 08960 | 1964 | Family Practice/General Practice |
| P | SCIARRINO, JOHN F | 5601 N DIXIE HWY STE 115 33334-0000 | (954) 771-4271 | * | 19311 | 1994 | Ophthalmology |
| P | GRAFF, ALAN | 3061 E COMMERCIAL BOULEVARD 33308-0000 | (954) 491-0031 | * | 19385 | 1995 | Internal Medicine |
| P | PELLOSIE JR, JOHN C. | NOVA SOUTHERN UNIVERSITY, OSTEOPATHIC, 3200 SOUTH UNIVERSITY DRIVE 33328- | (954) 262-1459 | 21576 | 2009 | Osteopathic Medicine | |
| FORT MYERS | | LEE | | | | | |
| P | CLARY, JAMES K | 17595 S TAMiami TRAIL (US 41) STE 108 33908- | (239) 939-5599 | * | 11970 | 2006 | Family Practice/General Practice |
| P | FULK, BILLY R | MCGREGOR MEDICAL, 16731 MCGREGOR BLVD SUITE 105 33908-0000 | (239) 437-2121 | * | 14423 | 1974 | Family Practice/General Practice |
| | HOWARD, JOSEPH G | FIRST CARE MED CTR, 12995 S CLEVELAND AVE #184 33907-0000 | (941) 939-2201 | 20486 | 1996 | Family Practice/General Practice | |
| FORT PIERCE | | SAINT LUCIE | | | | | |
| P | SHEWMAKER, JOHN A | SUN OSTEOPATHIC MEDICAL CTR, 2701 INDUSTRIAL 2ND AVENUE 34946- | (772) 546-7027 | * | 21381 | 2002 | Family Practice/General Practice |

FLORIDA - (Cont.)

| | | | | | | | | | |
|--------------------------|-------------------------|---|----------------|---|-------|------|----------------------------------|--|--|
| FORT WALTON BEACH | | OKALOOSA | | | | | | | |
| P | BUCKELEW, BILLY A | MAGNOLIA MEDICAL CLINIC, 131 MAGNOLIA AVE SE 32548-0000 | (850) 243-7681 | * | 12014 | 1972 | Family Practice/General Practice | | |
| P | WILLIAMS III, REDDOCH I | 251 BEACHVIEW DR 32547-0000 | (850) 621-5645 | * | 12250 | 1975 | Family Practice/General Practice | | |
| P | HOLLINGSWORTH, GERA | 203 PATRICK DR 32547-0000 | (850) 863-2161 | * | 05359 | 1960 | Aerospace Medicine | | |
| P | SENECHAL, PETER K | MAGNOLIA MED CLNC, 131 MAGNOLIA AVE SE 32548-0000 | (850) 243-7681 | * | 21146 | 1997 | Family Practice/General Practice | | |
| P | BLUMBERG, LAWRENCE | 4 SKIPPER AVENUE 32547-0000 | (850) 863-4194 | * | 07214 | 2000 | Otorhinolaryngology | | |
| FT LAUDERDALE | | BROWARD | | | | | | | |
| | VIDAURRE, JOSE A. | ALLEN GRAFF, 3061 E. COMMERCIAL BLVD. 33308- | (954) 491-0031 | | 21610 | 2011 | Internal Medicine | | |
| GAINESVILLE | | ALACHUA | | | | | | | |
| P | GALLAGHER, THOMAS J. | UNIV OF FL MED CTR, 1600 SW ARCHER RD RM 2507-PSB 32610-0254 | (352) 265-0463 | * | 21158 | 1997 | Critical Care Medicine | | |
| | CHODOSH, LANCE I | 4340 NEWBERRY RD STE 201 32607-0000 | (352) 372-3360 | * | 19398 | 1995 | Occupational/Industrial Medicine | | |
| GULFPORT | | PINELLAS | | | | | | | |
| P | MOENCH, GEORGE C | 5416 GULF PORT BLVD 33707-4855 | (727) 323-5757 | * | 08866 | 1963 | Family Practice/General Practice | | |
| HIALEAH | | MIAMI-DADE | | | | | | | |
| P | PEREZ, MIGUEL A. | 777 EAST 25TH STREET SUITE 219 33013- | (305) 836-6805 | | 21564 | 2009 | Internal Medicine | | |
| | KOBY, RICHARD A | MIAMI LAKES MED CTR, 7150 WEST 20TH AVE STE 315 33016-0000 | (305) 821-6600 | * | 19348 | 1995 | Family Practice/General Practice | | |
| HOLLYWOOD | | BROWARD | | | | | | | |
| P | FORMISANO, MICHAEL W | 4024 NORTH CIRCLE DRIVE 33021- | (954) 989-4110 | | 21546 | 2007 | Family Practice/General Practice | | |
| ISLAMORADA | | MONROE | | | | | | | |
| | GOODMAN, JAMIE A | KEYS MEDICAL CENTER, INC., 81990 OVERSEAS HIGHWAY, STE 101 33036-0000 | (305) 664-2488 | * | 21323 | 2001 | Family Practice/General Practice | | |
| JACKSONVILLE | | DUVAL | | | | | | | |
| | GOUCH, DAVID A | WESTSIDE CLINIC, 4124 BLANDING BLVD 32210-0000 | (904) 861-3627 | * | 09102 | 1966 | Family Practice/General Practice | | |
| | PRINCE, VICKIE ANNE | PRINCE FAMILY MED CTR, 12311 SAN JOSE BLVD 32223-0000 | (904) 262-7211 | * | 19170 | 1990 | Family Practice/General Practice | | |
| P | CONTARINI, OSVALDO | 3636 UNIVERSITY BLVD S BLDG B 32216-0000 | (904) 737-3150 | | 19401 | 1995 | General Surgery | | |
| | SELANDER, GUY T. | JACKSONVILLE FAMILY PRACTICE, 1731 UNIVERSITY BLVD S 32216-8929 | (904) 721-3844 | * | 08950 | 1964 | Family Practice/General Practice | | |
| | HACKENBERG, JOHN C | NORTH FLORIDA MEDICAL ASSOC, 4131 UNIVERSITY BLVD S, BLDG 8 32216-0000 | (904) 725-3610 | * | 17498 | 1981 | Family Practice/General Practice | | |
| P | HOLTHAUS, KEVIN M | NORTH FLORIDA MEDICAL CLINIC, 1361 - 13TH AVE S, SUITE 150 32250-0000 | (904) 242-7177 | * | 19122 | 1988 | Internal Medicine | | |
| | WILSON, GEORGE R. | UNIVERSITY MED CTR, 655 W EIGHTH ST 32209-0000 | (904) 244-3196 | * | 17298 | 1979 | Family Practice/General Practice | | |
| KEY WEST | | MONROE | | | | | | | |
| | GREENWOOD, WILLIAM F | 3428 N ROOSEVELT BLVD PO BOX 2520 33045-0000 | (305) 295-9797 | * | 17374 | 1980 | Family Practice/General Practice | | |
| P | FLOYD, JULIE ANN | 2784 N ROOSEVELT BLVD 33040- | (305) 292-4970 | * | 21476 | 2005 | PAIN MANAGEMENT | | |
| KISSIMEE | | OSCEOLA | | | | | | | |
| P | BUSCH, WILLIAM T | 3959 MERLIN DR 34741-0000 | (407) 846-0854 | * | 70045 | 1995 | Ophthalmology | | |
| | SOVRAN, PAUL D | 211 EAST RUBY AVENUE 34741-0000 | (407) 847-3333 | * | 20465 | 1996 | Internal Medicine | | |
| | PALAZZOLO, ARLENE M | BVL MEDICAL CENTER, 2551 BOGGY CREEK ROAD 34744- | (407) 348-0990 | | 20461 | 1996 | Internal Medicine | | |
| | WEINBERGER, JOEL M | CTR FAMILY PRACTICE & SP MED, 720 OAK COMMONS BLVD 34741-0000 | (407) 933-2522 | | 21327 | 2001 | Family Practice/General Practice | | |
| | TORRES, JOSEPH L | 309 W BASS ST 34741- | (407) 935-1192 | | 21290 | 2004 | Family Practice/General Practice | | |
| LAKE CITY | | COLUMBIA | | | | | | | |
| | CARNEVALE, PHILIP A | LAKE CITY MUNICIPAL ARPT, 3526 EAST HIGHWAY 90 32055-0000 | (386) 755-3535 | * | 21226 | 1999 | Family Practice/General Practice | | |
| LAKE MARY | | SEMINOLE | | | | | | | |
| P | LAMBIASO, MARLENE K | SOLANTIC, 136 PARIMENT LOOP, SUITE 102 32746- | (407) 333-0160 | | 21305 | 2001 | Occupational/Industrial Medicine | | |
| | GUPTA, ANITA | SUNSHINE CLINIC, 3300 W. LAKE MARY BLVD. STE 220 32746- | (407) 321-7111 | | 21558 | 2007 | Family Practice/General Practice | | |
| LAKE PARK | | PALM BEACH | | | | | | | |
| P | GREER IV, ROBERT C | 624 US HIGHWAY 1 33403-0000 | (561) 844-2464 | * | 17262 | 1979 | Family Practice/General Practice | | |
| LAKE WORTH | | PALM BEACH | | | | | | | |
| | KARDON, LAURIE ANN | 4570 LANTANA RD 33463- | (561) 963-9881 | * | 21395 | 2003 | Occupational/Industrial Medicine | | |
| LAKELAND | | POLK | | | | | | | |
| P | SEOANE, SERGIO B. | 118 ALLAMANDA DRIVE 33803- | (863) 644-2204 | | 21512 | 2006 | Family Practice/General Practice | | |
| P | CASE, RONALD W | 4708 FLORIDA AVENUE 33813-0000 | (863) 709-9598 | * | 19159 | 1990 | Ophthalmology | | |
| | CUERVO, HERMINIO | NEURODIAGNOSTIC LABORATORY, 1601 WILLIAMSBURG SQUARE 33803-0000 | (863) 647-1684 | | 19402 | 1995 | Neurology | | |

FLORIDA - (Cont.)

LARGO

P JOHNSON, RICHARD F
P KASPER, EDWARD M

LAKESIDE OCCUP MEDICAL CTR, 1400 E BAY DR
33771-0000
LAKESIDE OCCUP MEDICAL CTR, 1400 EAST BAY DR
33771-0000

(727) 586-0047 * 19035 1985 Occupational/Industrial Medicine
(727) 586-0047 * 21262 2001 General Surgery

LOXAHATCHEE

SINCLAIR, MICHAEL J

13005 STATE ROAD 80 STE 111 33470-0000

(561) 798-2002 * 19176 1991 Family Practice/General Practice

MELBOURNE

MACDONALD, MICHAEL J

HEALTH FIRST OCC MED, 1350 S HICKORY ST STE 102
32901-0000

(321) 434-8878 * 20506 1997 Occupational/Industrial Medicine

P MC CLURE, JOSEPH A

MIMA, 1130 S. HICKORY STREET 32901-0000

(321) 725-4500 19366 1995 Internal Medicine

P FAIN JR, NORMAN F

386 HALEY COURT 32940-0000

(321) 775-3533 * 19080 1986 Family Practice/General Practice

MACDONALD, STEPHEN

HEALTH FIRST OCC MED, 1350 S HICKORY ST STE 102
32903-0000

(321) 434-8878 * 20505 1997 Occupational/Industrial Medicine

MERRITT ISLAND

P GAYLES, RICHARD E.

THE PAIN INSTITUTE, 595 N. COURTENAY PKWY 32953-

(321) 784-8211 21521 2006 PAIN MANAGEMENT

P DELGADO, ARMANDO F

1395 N COURTENAY PKWY STE 210 32953-0000

(321) 459-1888 * 17268 1979 Family Practice/General Practice

MIAMI

ROSS, MICHAEL L

8200 SW 117TH AVE, STE 100 33183-0000

(305) 279-7677 * 20414 1995 Family Practice/General Practice

MIRABAL, JUAN D.

PHYSICIAN'S HEALTH CENTER, 6221 NW 36TH ST 33166-

(305) 871-3627 * 21470 2005 Family Practice/General Practice

POTASH, IRWIN M

AIRPORT MEDICAL CLINIC, 3588 NW 72ND AVE 33122-1324

(305) 592-5205 * 09223 1967 Occupational/Industrial Medicine

SEIFER, ALAN S

8353 SW 124TH ST STE 201 33156-0000

(305) 238-9898 * 17412 1980 Family Practice/General Practice

P LOJKO, ALBERT T

SUNSHINE, 6341 SUNSET DRIVE 33143-

(305) 666-5971 * 13863 2007 Internal Medicine

P NUNEZ, MIGUEL A.

2645 DOUGLAS RD 6TH FLOOR 33133-

(305) 442-0633 * 21530 2006 Family Practice/General Practice

DOVAL, NELSON

AIRPORT MEDICAL CLINIC, 3588 NW 72ND AVE 33122-0000

(305) 592-5205 * 21288 2001 Family Practice/General Practice

P CHAPNICK, BERNARD S.

PHYSICIANS HEALTH CENTER, 6221 NW 36TH STREET
33166-

(305) 871-3627 * 18558 1990 Occupational/Industrial Medicine

A GUZMAN, CANDELARIO /

A/P MEDICAL CLINIC, 3588 NW 72ND AVE 33122-0000

(305) 592-5205 * 19386 1995 Family Practice/General Practice

BERRIOS, JOSE A

FOUNTAIN BLEAU MED CTR, 9473 W FLAGLER 33172-4104

(305) 552-0109 * 17424 1980 Family Practice/General Practice

MUMMERY, CHARLES R

8000 WEST FLAGLER ST STE 203 33144-0000

(305) 773-6109 * 05490 1960 Family Practice/General Practice

DIAZ, SUSAN F.

PHYSICIAN'S HEALTH CENTER, 6221 NW 36TH ST
33166-0000

(305) 871-3627 * 21182 1998 Family Practice/General Practice

P FURGANG, FRED A.

RELIANCE AVIATION, KENDALL-TAMIAMI EXECUTIVE

(305) 607-4619 * 20475 1996 Anesthesiology

P LOEWENHERZ, JAMES W

AIRPORT 14532 S.W. 129TH STREET 33186-
9000 SW 87TH CT STE 215 33176-0000

(305) 274-4800 * 19167 1990 Internal Medicine

P FOX, KEVIN B

KENDALL MEDICAL PLAZA, 10860 SW 88 ST 33176-0000

(305) 595-1300 * 21289 2001 Family Practice/General Practice

P MILLER, RICHARD D

INTERNAL MEDICINE, 1400 CORAL WAY 33145-2847

(305) 854-3851 * 08978 1964 General Surgery

MIAMI BEACH

P LOZMAN, PHILIP R

4701 MERIDIAN AVE STE 601 ADAMS 33140-0000

(305) 674-5956 21265 2001 Orthopedic Surgery

MIDDLEBURG

GOH, BENJAMIN W.

FPA FAMILY FIRST MED CTR, 3839 CTY RD 218 32068-0000

(904) 282-5474 19358 1995 Family Practice/General Practice

MILTON

P YOUNG, DAVID B

5992 BERRYHILL RD STE 300 32570-1014

(850) 623-9787 19084 1986 Family Practice/General Practice

P DIAZ, CARLOS R

AEROMEDICAL SERVICES, 5600 NORTH AIRPORT RD
32583-0000

(850) 981-3737 21421 2003 Internal Medicine

COLOMBO JR, LIBERTO I

4264 AVALON BLVD.

(850) 623-9654 * 19506 2004 Occupational/Industrial Medicine

MOUNT DORA

P BERCKES, STACY J.

WATERMAN AVENUE PROFESSIONAL BLD., 111
WATERMAN AVENUE 32757-

(352) 735-3313 21612 2011 PAIN MEDICINE

NAPLES

P FOLEY, MARY J.

14527 JEKYLL ISLAND COURT 34119-

(239) 431-5933 21140 2001 Family Practice/General Practice

P LEACH, GREGORY E

ADVANCED MEDICAL CENTER, 1250 PINE RIDGE ROAD
34108-0000

(239) 566-7676 * 21307 2001 Family Practice/General Practice

GURSOY, AHMET O

200 AVIATION DR NORTH STE 9 34104-0000

(239) 263-3888 * 14061 1978 Internal Medicine

ROBERT, VERA M

COLLIER BLVD MEDICAL CENTER, 12565 COLLIER BLVD
34116-0000

(239) 455-9919 * 21311 2001 Family Practice/General Practice

P MOORE, LOUIS S.

201 EIGHTH ST SO. SUITE 206 34102-0000

(239) 649-0631 * 05688 1960 Family Practice/General Practice

NEW SMYRNA BEACH

SCHILDECKER, CHARLES

401 DOWNING STREET 32168-0000

(386) 428-3243 * 21234 1999 Internal Medicine

NICEVILLE

P ROPER, DANIEL L

290 YACHT CLUB DRIVE 32578-0000

(850) 897-2821 17505 1981 Ophthalmology

NORTH MIAMI BEACH

BERKE, WILLIAM

1400 NE MIAMI GARDENS DR STE 202 33179-

(305) 947-7744 * 19265 1993 Family Practice/General Practice

PINELLAS

PALM BEACH

BREVARD

BREVARD

MIAMI-DADE

MIAMI-DADE

CLAY

SANTA ROSA

LAKE

COLLIER

VOLUSIA

OKALOOSA

MIAMI-DADE

FLORIDA - (Cont.)

| | | | | | | | |
|---------------------------|----------------------|--|----------------|-------|-------|-------------------|----------------------------------|
| NORTH PALM BEACH | | PALM BEACH | | | | | |
| P | MOFFITT, A SCOTT | 134 US HIGHWAY #1 33408- | (561) 842-4261 | 21487 | 2005 | Internal Medicine | |
| OAKLAND PARK | | BROWARD | | | | | |
| | ROBINSON, KEITH J. | 5333 N. DIXIE HWY, 201 33334- | (954) 491-3440 | 21615 | 2011 | PULMONARY | |
| OCALA | | MARION | | | | | |
| | RODRIGUEZ, CARLOS F | OCALA FAMILY MEDICAL CENTER, 2230 SW 19TH AVENUE RD 34474-0000 | (352) 237-4133 | * | 07877 | 2000 | Internal Medicine |
| P | POWELL, STEVEN T | 2910 SE THIRD CT 34471-0000 | (352) 732-0339 | | 19074 | 1986 | Dermatology |
| | HUQ, NASIRUL | 3233 SW 33RD ROAD STE 302 34474-0000 | (352) 237-0130 | | 21338 | 2001 | Internal Medicine |
| P | BAZO, ALBERT J | 3301 SW 34TH CIRCLE, SUITE 203 34474-0000 | (352) 207-8775 | * | 12798 | 1979 | Family Practice/General Practice |
| P | BENSON II, RICHARD H | 3200 SW 86TH PLACE 34476-0000 | (352) 861-1110 | | 21177 | 1997 | Anesthesiology |
| | ALPERS, ADAM L | OCALA FALMILY MEDICAL CENTER, 2230 SW 19TH AVENUE ROAD 34471-0000 | (352) 237-4133 | | 21342 | 2002 | Family Practice/General Practice |
| OCOE | | ORANGE | | | | | |
| P | PERDOMO, ALEX C | SILVER STAR FAMILY MEDICINE, 1202 E SILVER STAR RD 34761-0000 | (407) 656-7866 | * | 21434 | 2003 | Family Practice/General Practice |
| OPA LOCKA | | MIAMI-DADE | | | | | |
| | KRAMER, DAVID | OPA LOCKA MED CLNC, 870 FISHERMAN ST 33054-3509 | (305) 688-2519 | * | 08843 | 1962 | Family Practice/General Practice |
| ORANGE CITY | | VOLUSIA | | | | | |
| P | ROSEMOND, ROBERT M | CENTRAL FLA HEART ASSOCIATES, 932 SAXON BLVD., STE A 32763-8225 | (386) 774-2100 | * | 11810 | 1968 | Internal Medicine |
| ORANGE PARK | | CLAY | | | | | |
| P | MARTIN, GAINES C | 1409-9G KINGSLEY AVE 32073-0000 | (904) 637-0007 | * | 21353 | 2002 | Family Practice/General Practice |
| | SESSIONS, WILLIAM H. | FAMILY PRACTICE ASSOC - ORANGE PK, 1594 KINGSLEY AVE 32073- | (904) 264-8621 | * | 21471 | 2005 | Family Practice/General Practice |
| | BULTMAN, RICHARD J | FAMILY PRACTICE ASSOC, 1594 KINGSLEY AVENUE 32073-4546 | (904) 264-8621 | * | 12238 | 1974 | Family Practice/General Practice |
| P | THOMPSON JR, W RALEI | PARK MEDICAL CENTER, 847 N PARK AVE 32073-0000 | (904) 264-4541 | * | 12024 | 1972 | Family Practice/General Practice |
| | MENDHI, MOHAMMED | PARK MEDICAL CENTER, 847 N PARK AVE 32073-0000 | (904) 264-4541 | * | 20459 | 1996 | Family Practice/General Practice |
| ORLANDO | | ORANGE | | | | | |
| | KOVATS, CHRISTIAN | 545 NORTH MILLS AVE 32803-0000 | (407) 896-3558 | * | 21215 | 1999 | Family Practice/General Practice |
| P | COWAN JR, DAVID F | 3615 SOUTH ORANGE AVE 32806-6216 | (407) 855-2526 | * | 21278 | 2001 | Internal Medicine |
| P | SHEWMAKER, JOHN A | SUN OSTEOPATHIC MEDICAL CTR, 4985 HOFFNER AVE SUITE #3 32812- | (407) 415-3011 | * | 21381 | 2002 | Family Practice/General Practice |
| | CHAMBERS JR, T EUGEN | EAST ORLANDO MEDICAL GROUP, 900 SOUTH GOLDENROD ROAD, SUITE B 32822-0000 | (407) 281-6424 | * | 17530 | 1981 | Family Practice/General Practice |
| | JONES, CRAIG P | ORLANDO ORTHOPAEDIC CTR, 25 WEST CRYSTAL LAKE STREET #200 32806-0000 | (407) 254-2500 | | 21260 | 2001 | Orthopedic Surgery |
| P | KIVETT, GERALD J. | PRIMARY CARE SPECIALISTS, 4711 CURRY FORD RD 32812-0000 | (407) 275-9014 | | 21235 | 1999 | Family Practice/General Practice |
| ORMOND BEACH | | VOLUSIA | | | | | |
| P | RUBIN, MARK S | INTERNATIONAL EYE ASSOCIATES, 1545 HAND AVE., SUITE B3 32174-0000 | (386) 673-3939 | * | 21249 | 2000 | Ophthalmology |
| OVIEDO | | SEMINOLE | | | | | |
| | KOVATS, CHRISTIAN | 8000 RED BUG LAKE RD SUITE 200 32765-0000 | (407) 366-9800 | * | 21215 | 1999 | Family Practice/General Practice |
| PALM BEACH GARDENS | | PALM BEACH | | | | | |
| | MARKS, MITCHELL L | 3345 BURNS RD SUITE 102 33410-0000 | (561) 694-9675 | * | 19346 | 1994 | Internal Medicine |
| | HOUSS, CAROLYN A | 3345 BURNS RD SUITE 102 33410-0000 | (561) 694-9675 | * | 19274 | 1994 | Occupational/Industrial Medicine |
| | HARPALANI, VIJAY B | 3400 BURNS RD STE 202 33410-0000 | (561) 624-1991 | | 21326 | 2001 | Internal Medicine |
| PALM COAST | | FLAGLER | | | | | |
| | SYMEONIDES, JOHN G. | 145 CYPRESS POINT PARKWAY UNIT 105 32164- | (386) 246-7596 | | 21618 | 2011 | Family Practice/General Practice |
| PANAMA CITY | | BAY | | | | | |
| P | MACELUCH, JOHN J | 600 MARTIN LUTHER KING 32401-0000 | (850) 215-1357 | * | 15941 | 1977 | Family Practice/General Practice |
| | EDGEWORTH, DEBORAH | COASTAL OB/GYN, 600 MARTIN LUTHER KING BLVD 32401-0000 | (850) 785-0515 | * | 20504 | 2000 | Obstetrics/Gynecology |
| | ABDELGHANY, AMIN A | CITY MED CTR, 750 HARRISON AVE 32401-0000 | (850) 913-8991 | * | 21238 | 2000 | Internal Medicine |
| PEMBROKE PINES | | BROWARD | | | | | |
| P | CASCETTE, JAMES H | CASCETTE ENT, 2261 N UNIVERSITY DR #203 33024-0000 | (954) 432-7000 | * | 11057 | 1966 | Family Practice/General Practice |
| | KOBY, RICHARD A | MIAMI LAKES MED CTR, 18219 PINES BLVD 33029-0000 | | * | 19348 | 1995 | Family Practice/General Practice |
| | SHAWN, LESLIE G. | 400 N HIATUS RD STE 201 33026-0000 | (954) 442-3434 | * | 19107 | 1987 | Family Practice/General Practice |

FLORIDA - (Cont.)

| | | | | | | | | |
|--------------------------|----------------------|--|----------------|---|-------|------|----------------------------------|--|
| PENSACOLA | | ESCAMBIA | | | | | | |
| | BRINKER, JEFFREY R | MEDICAL CENTER CLINIC WEST FLORIDA, 8333 NORTH DAVIS HWY 32514-6049 | (850) 474-8572 | * | 21413 | 2003 | Family Practice/General Practice | |
| P | LUCEY, RICHARD W | 710 UNDERWOOD AVE 32504-0000 | (850) 477-3453 | * | 17356 | 1980 | Family Practice/General Practice | |
| P | FOWLER JR, LOUIS B | 431 E GOVERNMENT ST 32501-6131 | (850) 433-9391 | * | 19356 | 1995 | Family Practice/General Practice | |
| | WEAVER, RICHARD A | MEDICAL CENTER CLINIC, 8333 N DAVIS HWY 32514-0000 | (850) 474-8300 | * | 19328 | 1994 | Family Practice/General Practice | |
| PERRY | | TAYLOR | | | | | | |
| P | MUTNAL, BASAVARAJ I | DOCTORS MEMORIAL HOSPITAL, MEDICAL PLAZA 555 N. BYRON BUTLER PKWY 32347- | (850) 838-2141 | * | 01665 | 2004 | Internal Medicine | |
| PLANTATION | | BROWARD | | | | | | |
| P | BERENS, ABRAM | 969 N NOB HILL ROAD 33324-1078 | (954) 916-1100 | * | 19322 | 1994 | Family Practice/General Practice | |
| | PICK, DAVID L | WEST BROWARD URGENT CARE, 1911 NORTH PINE ISLAND ROAD 33322- | (954) 476-3024 | | 21316 | 2001 | Family Practice/General Practice | |
| | MORRISON, LOUIS T | 910 SOUTH STATE ROAD 7 33317-0000 | (954) 583-0122 | * | 21245 | 2000 | Family Practice/General Practice | |
| POLK CITY | | POLK | | | | | | |
| | LOUISVILLE, TOMMY L. | FIRST HELP URGENT CARE CLINIC, 235 N. COMMONWEALTH AVE PO BOX 625 33868- | (863) 984-8000 | * | 21536 | 2006 | Family Practice/General Practice | |
| POMPANO BEACH | | BROWARD | | | | | | |
| | FELDMAN, SETH A | MEDWORK 84, 3501 N FEDERAL HWY 33064-0000 | (954) 785-5411 | * | 21404 | 2003 | Family Practice/General Practice | |
| | STARR, MARGARET J | 1430 SOUTH POWERLINE RD 33069-0000 | (954) 970-7272 | * | 19009 | 1984 | Family Practice/General Practice | |
| PONTE VEDRA BEACH | | SAINT JOHNS | | | | | | |
| | NORENBERG, ERIC JON | 228 PONTE VEDRA PARK DR, STE 500 32082- | (904) 273-1180 | | 21340 | 2002 | Family Practice/General Practice | |
| PORT CHARLOTTE | | CHARLOTTE | | | | | | |
| P | KREEGEL, PAIGE V. | 4369 TAMIAMI TRAIL 33952- | (941) 629-4888 | | 21557 | 2007 | Family Practice/General Practice | |
| P | ROSENFELD, LOUIS D | CARDIOLOGY ASSOCIATES, 4130 TAMIAMI TRAIL SUITE 301 33952-0000 | (941) 629-4500 | * | 19090 | 1987 | Internal Medicine | |
| PORT ORANGE | | VOLUSIA | | | | | | |
| P | KURRLE, ROBERT W | SPRUCE CREEK FLY IN, 140 PIPER BLVD 32128-0000 | (386) 322-9030 | * | 21252 | 2000 | Ophthalmology | |
| P | JENNINGS, LANE E | EAST VOLUSIA FAMILY PRACTICE, 3911 SOUTH NOVA RD 32127-0000 | (386) 756-9137 | * | 17387 | 1980 | Family Practice/General Practice | |
| | KONICEK, ONNA G | ORANGE MEDICAL, 4319 RIDGEWOOD AVENUE 32127- | (386) 235-9056 | | 21608 | 2011 | Family Practice/General Practice | |
| P | BROWNING, FRANK W. | 1830 WRIGHT DRIVE 32128-0000 | (386) 451-2524 | * | 17210 | 1979 | Ophthalmology | |
| PORT SAINT LUCIE | | SAINT LUCIE | | | | | | |
| | WEIN, MICHAEL B | 320-322 NW BETHANY DRIVE 34986- | (772) 465-4016 | * | 20467 | 1996 | Internal Medicine | |
| PORT ST LUCIE | | SAINT LUCIE | | | | | | |
| P | GROBER, RONALD S | 7842 SABAL LAKE DRIVE 34986- | (772) 464-3657 | | 17384 | 1980 | Orthopedic Surgery | |
| | DELO, LINDA FAY | 538 SE PORT ST LUCIE BLVD 34984-0000 | (772) 871-5900 | | 19381 | 1995 | Family Practice/General Practice | |
| RIVERVIEW | | HILLSBOROUGH | | | | | | |
| | WARTMAN, JEFFREY D | 13403 BOYETTE RD 33569-0000 | (813) 654-1775 | | 20418 | 1995 | Internal Medicine | |
| SAINT AUGUSTINE | | SAINT JOHNS | | | | | | |
| | OKTAVEC, WILLIAM J | 100 WHETSTONE PL STE 106 32086-0000 | (904) 826-3937 | | 19141 | 1989 | Ophthalmology | |
| P | HALE, N PATRICK | ANASTASIA FAMILY CARE, 103 ANASTASIA BLVD 32080-0000 | (904) 824-5935 | * | 13482 | 1973 | Ophthalmology | |
| SANFORD | | SEMINOLE | | | | | | |
| | WING, KENNETH M | 309 N MANGOUSTINE AVE 32771-1018 | (407) 322-7761 | | 09024 | 1965 | General Surgery | |
| SARASOTA | | SARASOTA | | | | | | |
| P | DUNN, CRAIG M. | 3912 DEARBORN AVENUE 34231- | (941) 925-8000 | * | 21478 | 2005 | Internal Medicine | |
| | DROBA, ARTHUR R | 1020 HONORE AVENUE 34232-0000 | (941) 377-6674 | * | 19175 | 1991 | Internal Medicine | |
| SEBRING | | HIGHLANDS | | | | | | |
| | ARUMUGAM, ROGER N | HIGHLANDS REGIONAL OCCUP MED, 7200 S GEORGE BLVD 33875-0000 | (863) 471-9377 | * | 21426 | 2003 | Internal Medicine | |
| SEMINOLE | | PINELLAS | | | | | | |
| | NATOLI, BARTHOLOMEW | INTERNAL MEDICINE, 9009 PARK BLVD 33777-0000 | (727) 391-6650 | | 20410 | 1995 | Internal Medicine | |
| SOUTH DAYTONA | | VOLUSIA | | | | | | |
| | KHAN, GOHAR S | 905 BEVILLE ROAD 32119-0000 | (386) 767-9000 | * | 19408 | 1995 | Family Practice/General Practice | |
| STUART | | MARTIN | | | | | | |
| P | ADELBERG, J. MICHAEL | TREASURE COAST MEDICAL ASSOCIATES, 1607-B NW FEDERAL HIGHWAY 34994- | (772) 692-8082 | * | 21456 | 2004 | Family Practice/General Practice | |
| P | GITTENS, CARL C.F. | 789 US HWY, 1, SUITE 212 34994- | (772) 288-4111 | | 20433 | 1998 | Internal Medicine | |
| | CASTELLANOS, JAIME A | 1320 PLAM BEACH RD 34994-0000 | (772) 286-5407 | * | 18987 | 1984 | Family Practice/General Practice | |

FLORIDA - (Cont.)

SUMMERLAND KEY

GOODMAN, JAMIE A KEYS MEDICAL CENTER, INC., 25000 OVERSEAS HIGHWAY, (305) 664-2488 * 21323 2001 Family Practice/General Practice
STE 4 33042-0000

MONROE

TALLAHASSEE

MACKAY, JOHN T. 2412 W. PLAZA DR 32308- (850) 877-8173 21500 2005 Family Practice/General Practice
WINCHESTER, GARY E. WINCHESTER-VANLANDINGHAM, 1511 SURGEONS DR (850) 878-6134 21496 2005 Family Practice/General Practice
32308-

LEON

TAMPA

CARNEVALE, PHILIP A LAKE CITY MUNICIPAL ARPT, 10954 SHELDON RD (813) 926-9222 * 21226 1999 Family Practice/General Practice
33626-0000
BEACH, COLIN S. FAMILY CARE AT TAMPA PALMS, 15285 AMBERLY DRIVE (813) 979-6978 21570 2008 Family Practice/General Practice
33647-
P BOHNKER, BRUCE K. COMPREHENSIVE OCCUP MED BUSINESS & (813) 246-4277 * 21551 2007 Aerospace Medicine
INDUSTRY, 9210 FLORIDA PALM DR 33619-
P CAMPBELL JR, FREDERIK 3000 E. FLETCHER AVE STE 120 33613-4643 (813) 971-7721 * 12171 1974 Internal Medicine
OWI, ENIOLA A WORKHEALTH OCCUPATIONAL MEDICINE, 607 WEST ML (813) 238-1222 * 21246 2000 Internal Medicine
KING, JR. BLVD. SUITE 102 33603-0000
TAWIL, ALBERT 508 S HABANA AVE STE 360 33609-0000 (813) 876-5548 * 19108 1987 Family Practice/General Practice
CAMPBELL, COLLEEN C. 5503 EAST BUSH BLVD. 33614- (813) 200-7717 * 21444 2004 Internal Medicine

HILLSBOROUGH

TARPON SPRINGS

CARSON, THOMAS E 1259 SOUTH PINELLAS AVENUE 34689-0000 (727) 938-1908 * 19234 1992 Family Practice/General Practice

PINELLAS

TAVARES

WEAVER, BRUCE M. CAREFIRST FAMILY PRACTICE, 1936 SALK AVENUE 32778- (352) 742-0025 21605 2010 Family Practice/General Practice

LAKE

THE VILLAGES

P SHERMAN, ROGER W. 1400 US HWY 441, STE 536 32159-0000 (352) 750-9879 * 08300 1965 General Surgery

LAKE

TITUSVILLE

STOREY, MARK S. 1309 GARDEN STREET 32796-0000 (321) 269-9612 19262 1993 Internal Medicine

BREVARD

TRENTON

P IVEY JR, JAMES F 911 S MAIN PO BOX 640 32693-0000 (352) 463-2374 04320 1969 Family Practice/General Practice

GILCHRIST

TRINITY

P MARAVEL, RICHARD N. 3633 LITTLE ROAD, SUITE 101 34655- (727) 375-7455 21587 2009 Internal Medicine

PASCO

VERO BEACH

MELVIN, ELLEN T 3675 20TH ST SUITE C 32960-0000 (772) 569-6869 * 20483 1996 Internal Medicine
WEIN, MICHAEL B 3375 20TH ST STE 140 32960-0000 (772) 299-7299 * 20467 1996 Internal Medicine
SWEZEY, TERRY L 1800 43RD AVE STE A3 32960- (772) 569-6400 21486 2005 Family Practice/General Practice
SILVERMAN, GARY R. PRIMARY CARE - TREASURE COAST, 1265 36TH STREET (772) 567-6340 21501 2005 Family Practice/General Practice
32960-
WILLIAMS, CLAYTON R INDIAN RIVER WALK-IN CARE, 1880 - 37TH ST STE 4 32960- (772) 778-1400 * 21443 2004 Family Practice/General Practice
A P FRIES, IAN B 1480 HIGHWAY A1A 32963- (732) 801-8139 * 12693 1977 Orthopedic Surgery

INDIAN RIVER

WEST PALM BEACH

WEINGARDEN, GERALD 8033 CRANES POINT WAY 33412- (561) 626-5635 * 15097 1976 Family Practice/General Practice

PALM BEACH

WESTON

CALLE, PHANOR WESTON MEDICAL CLINIC INC., 17120 ROYAL PALM BLVD (954) 385-9711 * 21556 2007 Internal Medicine
STE 4 33326-

BROWARD

WILLISTON

SINCLAIR, MICHAEL J 130 SOUTHWEST 7TH ST 32696-0000 (352) 529-0300 * 19176 1991 Family Practice/General Practice

OKEECHOBEE

WINTER PARK

WILLIAMS, CHARLES E 3027 ALOMA AVENUE 32792-3752 (407) 678-6466 * 17265 1979 Family Practice/General Practice

ORANGE

ZEPHYRHILLS

P CASTILLENTI, THOMAS A FLORIDA MEDICAL CLINIC, 38135 MARKET SQUARE 33542- (727) 584-7666 * 16536 1994 General Surgery
P MARCH, PAUL F SOUTH FLORIDA MED GRP, 38034 MED CTR AVE (813) 788-5531 21209 1999 Internal Medicine
33540-0000

PASCO

GEORGIA

ACWORTH

LLOYD, EDWARD A MAIN STREET FAMILY PHYSICIANS, 4971 SOUTH MAIN (770) 422-1400 * 21374 2002 Family Practice/General Practice
STREET 30101-0000
GILBERT, SAMUEL A MAIN STREET FAMILY PHYSICIANS, 4791 SOUTH MAIN (770) 422-1400 * 20500 1997 Family Practice/General Practice
STREET 30101-0000
ANDREWS, CATHERINE S MAIN STREET FAMILY PHYSICIANS, 4791 SOUTH MAIN (770) 422-1400 * 17582 1982 Family Practice/General Practice
STREET 30101-0000

COBB

GEORGIA - (Cont.)

| | | | | | | | |
|---------------------|-----------------------|--|----------------|---|-------|------|----------------------------------|
| ALBANY | | DOUGHERTY | | | | | |
| P | MAYHER III, WILLIAM E | ALBANY EAR, NOSE, THROAT, SINUS, & ALLERGY CLINIC, 605 POINTE NORTH BLVD 31721- | (229) 883-1474 | * | 12029 | 1972 | Neurology |
| | CRICK, MARK P. | 2709 MEREDYTH DRIVE, STE 330 31707- | (229) 312-9651 | | 21498 | 2005 | Internal Medicine |
| P | MOYE, STANLEY J. | ALBANY REGIONAL PLASTIC SURGERY, 2101 PALMYRA RD 31701- | (229) 889-1021 | | 21497 | 2005 | Surgeon |
| ATHENS | | CLARKE | | | | | |
| | SCHACHER, STEPHEN A. | ST. MARY'S INDUSTRIAL MED, 105 WHITEHEAD ROAD 30606-0000 | (706) 248-0245 | * | 15665 | 1980 | Internal Medicine |
| P | MC ELHANNON JR, FAYE | HAWTHORNE ORTHOPEDICS, 1000 HAWTHORNE AVE STE S 30606-0000 | (706) 548-1386 | * | 19188 | 1991 | Orthopedic Surgery |
| ATLANTA | | FULTON | | | | | |
| | HAQ, FAYYAZ U | PIEDMONT PHYSICIANS GRP, 105 COLLIER RD STE 1030 30309-0000 | (404) 350-3860 | | 21348 | 2002 | Internal Medicine |
| P | HOOD, E. WALTER | 20 GLENN OAKS DR. 30327-0000 | (404) 272-9319 | * | 07421 | 1961 | Internal Medicine |
| P | CARTER, TED A | VININGS MEDICAL CENTER, 2255 CUMBERLAND PARKWAY BUILDING 1400 30339- | (770) 769-7290 | * | 21296 | 2001 | Family Practice/General Practice |
| | ABDI, ZIA AHMAD | FAMILY PRACTICE & IND MED, 2386 BOLTON RD NW 30318-0000 | (404) 352-2810 | * | 21128 | 1997 | Family Practice/General Practice |
| P | LEONARD, STEPHEN D | 2900 CHAMBLEE/TUCKER RD BLD 5-210 30341- | (404) 266-0010 | * | 16485 | 1983 | Vascular Surgery |
| P | WINTER III, THORNE S | THE MS CTR OF ATLANTA, 3200 DOWN WOOD CIRCLE PALISADES BLDG, SUITE 550 30327- | (404) 351-0205 | * | 09185 | 1967 | Internal Medicine |
| | DOWDA, FREDERICK W. | 340 BOULEVARD NE STE 324 30312-0000 | (404) 523-1864 | * | 15042 | 1977 | Internal Medicine |
| | WHALEY, WILLIAM H | 1100 JOHNSON FERRY ROAD BUILDING 1, SUITE 600 30342-0000 | (404) 350-0665 | * | 12235 | 1974 | Internal Medicine |
| P | KAUFFMAN, RICHARD | 3193 HOWELL MILL ROAD, NW #204 30327- | (404) 352-1223 | * | 18917 | 1983 | Internal Medicine |
| | ST CLAIR, JANE T | WELL BEINGS OCCUPATIONAL HEALTHCARE, 131 PONCE DE LEON AVE NE STE 230 30308-0000 | (404) 607-9737 | * | 20448 | 2000 | Occupational/Industrial Medicine |
| | GITLIN, NORMAN | CRAWFORD LONG TOWERS 550 PEACHTREE ST N.E. STE 1600 30308-2246 | (404) 881-1094 | | 21396 | 2003 | Internal Medicine |
| P | KOZARSKY, ALAN M. | 3193 HOWELL MILL ROAD SUITE 115 30327- | (404) 357-2020 | * | 21591 | 2010 | Ophthalmology |
| P | HICKS, KEVIN B | FAMILY PRACTICE - PEACHTREE-DUNWOODY, 1140 HAMMOND DR STE G-7150 30328- | (770) 481-0019 | * | 21527 | 2003 | Family Practice/General Practice |
| | OUDERKIRK, JOHN P | ID GROUP OF ATLANTA, LLC, 340 BOULEVARD NE STE 210 30312- | (404) 588-4680 | * | 21484 | 2005 | Internal Medicine |
| | YAGER, HOWARD S. | 3109 E SHADOWLAWN AVE NE 30305-2405 | (404) 261-1165 | * | 15037 | 1977 | Family Practice/General Practice |
| | SHANKS, JAMES Z | 1005 HAMMOND DR NE 30328-5314 | (770) 396-0300 | * | 08852 | 1962 | Internal Medicine |
| AUGUSTA | | RICHMOND | | | | | |
| P | REIMER, JONATHAN E | BLOOMINGDALE MEDICAL ASSOC, 1224 AUGUSTA WEST PKWY 30909-0000 | (706) 860-2986 | | 19149 | 1990 | Family Practice/General Practice |
| BAINBRIDGE | | DECATUR | | | | | |
| | PHILLIPS, JERRY D | BAINBRIDGE MEDICAL ASSOC, 1518 MILULI AVE 39819-0000 | (229) 248-8500 | | 21347 | 2002 | Family Practice/General Practice |
| BAXLEY | | APPLING | | | | | |
| | MARTIN, GARLAND L | ALTAMAHA MEDICAL CLINIC, 23 TIPPINS ST 31513-0000 | (912) 367-5525 | | 21397 | 2003 | Internal Medicine |
| BRUNSWICK | | GLYNN | | | | | |
| P | LAWSON, DAVID L. | 3204 SHRINE ROAD 31520- | (912) 261-2060 | | 21544 | 2007 | Internal Medicine |
| BUFORD | | GWINNETT | | | | | |
| P | HARKRIDER, FRANKLIN I | URGENT CARE CENTER, 3292 MCEVER ROAD, SUITE 2 30518- | (678) 776-1345 | | 21563 | 2008 | Emergency Medicine |
| CANTON | | CHEROKEE | | | | | |
| | SANDERS, GERALD E | MARIETTA EYE CLINIC, 100 OLD BALLGROUND HWY STE A 30114-0000 | (770) 479-2195 | * | 12067 | 1972 | Ophthalmology |
| P | GOLD JR, HOMER L | MED ASSOC OF N GEORGIA, 320 HOSPITAL RD 30114-2444 | (770) 479-5535 | | 17444 | 1980 | Family Practice/General Practice |
| P | JACKSON, JOHN RICHAR | 7768 CUMMING HWY, STE 300 30114- | (770) 720-2113 | * | 08456 | 1989 | Family Practice/General Practice |
| | SANDERS, GERALD E | MARIETTA EYE CLINIC, 100OLD BALLGROUND HWY STE A 30114- | (770) 479-2195 | * | 12067 | 1972 | Ophthalmology |
| CARROLLTON | | CARROLL | | | | | |
| P | POPE, JAMES C | TANNER HEALTH SYSTEM, CARROLLTON SURGICAL GROUP PA 157 CLINIC AVE STE 302 30117- | (770) 834-3336 | * | 17269 | 1979 | General Surgery |
| CARTERSVILLE | | BARTOW | | | | | |
| P | KOZARSKY, ALAN M. | 21 CURTIS COURT 30120- | (404) 357-2020 | * | 21591 | 2010 | Ophthalmology |
| CEDARTOWN | | POLK | | | | | |
| | PRYOR, HEATHER A | HARBIN CLINIC, 14 CHEROKEE ROAD 30125-0000 | (770) 749-9600 | * | 21244 | 2002 | Family Practice/General Practice |
| CLAXTON | | EVANS | | | | | |
| P | MCVAY, WILLIS A. | SOUTHERN MEDICAL GROUP, 501 EAST LONG STREET 30417- | (912) 739-8001 | | 21459 | 2004 | Family Practice/General Practice |

GEORGIA - (Cont.)

| | | | | | | | |
|---------------------|-----------------------|--|----------------|---|-------|------|----------------------------------|
| COLUMBUS | | MUSCOGEE | | | | | |
| P | BLALOCK JR, JACK H | 2300 MANCHESTER EXPWY BLDG F-1 31904-8504 | (706) 327-4317 | * | 17533 | 1981 | Internal Medicine |
| P | WHITTEN, WILLIAM A.. | HORIZON DIAGNOSTICS LLC, 3934 WOODRUFF ROAD 31904- | (706) 322-0304 | | 21603 | 2010 | Family Practice/General Practice |
| P | SERRATO, DANIEL H. | COLUMBUS PAIN CNTR, 7141 MOON RD STE A 31909-0000 | (706) 322-7246 | * | 21141 | 1997 | Anesthesiology |
| COMMERCE | | JACKSON | | | | | |
| | SERGEANT, PAUL M | 701 HOSPITAL RD 30529-0000 | (706) 335-2100 | | 14928 | 2003 | Family Practice/General Practice |
| COVINGTON | | NEWTON | | | | | |
| | SMITH III, GEORGE L. | POST OFFICE BOX 1557 30015-0000 | (770) 786-0643 | * | 21171 | 1997 | Family Practice/General Practice |
| CUMMING | | FORSYTH | | | | | |
| | BAYYAPUREDDY, PRIYA | WINDERMERE MEDICAL CLINIC, 3850 WINDERMERE PKWY, # 105 30041- | (678) 455-2800 | | 21611 | 2011 | Internal Medicine |
| P | FREEMAN JR, JACK M. | 309 PIRKLE FERRY RD, SUITE 200-C 30040- | (404) 402-3793 | | 21555 | 2007 | Emergency Medicine |
| DAWSONVILLE | | DAWSON | | | | | |
| | ANDERSON, LARRY W | ANDERSON FAMILY MEDICINE, 400 DAWSON COMMONS CIRCLE SUITE 410 30534- | (706) 265-1335 | * | 17314 | 1979 | Family Practice/General Practice |
| DORAVILLE | | DEKALB | | | | | |
| | HARPER, CHARLES R. | AEROMED INC, 2000 CLEARVIEW AVE, STE 215 30340- | (770) 457-3532 | * | 09852 | 1969 | Aerospace Medicine |
| | HARPER II, CHARLES R. | AEROMED INC, 2000 CLEARVIEW AVE, STE 215 30340-0000 | (770) 457-3532 | * | 21153 | 1997 | Internal Medicine |
| DOUGLASVILLE | | DOUGLAS | | | | | |
| | BLATT, HERBERT L | BLATT EYE CENTER, 6001 PROFESSIONAL PKWY SUITE 2000 30134-0000 | (770) 949-3885 | | 17455 | 1980 | Ophthalmology |
| DUNWOODY | | DEKALB | | | | | |
| | JOHARY, ALBERT F | 1320 CENTER DR STE 100 30338-0000 | (770) 730-8908 | * | 21414 | 2003 | Internal Medicine |
| EAST POINT | | FULTON | | | | | |
| P | VEREEN, H. STACY | 1603 WARE AVE 30344-0000 | (404) 761-2166 | * | 17322 | 1979 | General Surgery |
| EASTMAN | | DODGE | | | | | |
| | MILNER, BLAKE E. | 1111 GRIFFIN AVENUE SUITE 1B 31023- | (478) 374-8998 | | 21572 | 2009 | Family Practice/General Practice |
| EATONTON | | PUTNAM | | | | | |
| | KUMAR, AJAY | EATONTON MED & SURGICAL CTR, PO BOX 4608, 132 SPARTA HIGHWAY 31024-0000 | (706) 485-8495 | | 21389 | 2002 | Internal Medicine |
| FAYETTEVILLE | | FAYETTE | | | | | |
| | SCHUH, MARTHA A. | PEACHTREE IMMEDIATE CARE & OCCUP MED, 1275 HIGHWAY 54 WEST STE 201 30214- | (770) 461-3776 | * | 21450 | 2004 | Emergency Medicine |
| | EDWARDS, KATHY A | PIEDMONT PHYSICIANS PEACHTREE CITY, 101 YORKTOWN DRIVE, SUITE 202 30214- | (770) 460-3191 | | 21243 | 2002 | Internal Medicine |
| | SAMS, JAMES C | FAYETTE MEDICAL CLINIC, 101 YORKTOWN DR SUITE 100 30214- | (770) 460-4285 | * | 18939 | 1983 | Internal Medicine |
| P | CARLISLE, OSCAR B | LAFAYETTE EYE CENTER, 147 MARQUIS DR 30214-0000 | (770) 460-8610 | * | 09159 | 2000 | Ophthalmology |
| GAINESVILLE | | HALL | | | | | |
| | GALAI, EDWARD I. | 597 SOUTH ENOTA DRIVE 30501-0000 | (770) 718-0707 | * | 20432 | 2000 | Occupational/Industrial Medicine |
| GARDEN CITY | | CHATHAM | | | | | |
| P | LYNCH JR, LAWRENCE J | WEST CTY MED & SURG CLNC, 35 BRAMPTON RD 31408-2109 | (912) 355-0433 | * | 17201 | 1979 | General Surgery |
| P | ROTH, RICHARD S. | 35 BRAMPTON ROAD 31408- | (912) 964-2717 | * | 21506 | 2005 | Internal Medicine |
| GRIFFIN | | SPALDING | | | | | |
| | LATIMER, JIM WAYNE | MCINTOSH TRAIL FAMILY PRACTICE, 747 S HILL ST 30223-0000 | (770) 228-5407 | | 21142 | 1999 | Aerospace Medicine |
| P | GORE JR, JAMES R | FAMILY MEDICAL CENTER, 1657 NORTH EXPRESSWAY 30223-0000 | (770) 228-2641 | * | 19279 | 2001 | Internal Medicine |
| P | BIDDLE, MICHAEL DEAN | 718 SOUTH 8TH STREET 30224-0000 | (770) 229-9965 | * | 19189 | 1991 | Family Practice/General Practice |
| HAMPTON | | HENRY | | | | | |
| | FORTSON, MICHAEL T | EAGLE'S LANDING FAMILY PRACTICE, 1058 BEAR CREEK PKWY 30228-0000 | (770) 707-0808 | | 21320 | 2001 | Family Practice/General Practice |
| HAPEVILLE | | FULTON | | | | | |
| | ARMENIA, ROBIN RENEE | CONCENTRA MED CTRS, 3580 ATLANTA AVE 30354-0000 | (404) 768-3351 | * | 21214 | 1999 | Occupational/Industrial Medicine |
| | SAMS, JAMES C | FAYETTE MEDICAL CLINIC, 800 VIRGINIA AVENUE 30354-0000 | (404) 765-0028 | * | 18939 | 1983 | Internal Medicine |
| HIRAM | | PAULDING | | | | | |
| | LANGFORD, TERRY N | LAKE PARK PROFESSIONAL CENTER, WEST GEORGIA FAMILY MEDICINE 1899 LAKE RD, STE 212 30141-0000 | (770) 222-5488 | | 21325 | 2001 | Family Practice/General Practice |

GEORGIA - (Cont.)

| | | | | | | | | |
|----------------------|------------------------|---|----------------|---|-------|------|----------------------------------|--|
| JACKSON | | BUTTS | | | | | | |
| P | MURDOCK-ODEGAARD, C | THE DOCTOR'S OFFICE, 261 BROOKWOOD AVENUE 30233-0000 | (770) 957-3700 | * | 21230 | 1999 | Family Practice/General Practice | |
| JASPER | | PICKENS | | | | | | |
| P | AUSTIN, WALTER K. | PIEDMONT HEART INSTITUTE, 220 J. L. WHITE DR. SUITE 100 30143- | (706) 253-8001 | | 21550 | 2007 | Cardiology | |
| LA FAYETTE | | WALKER | | | | | | |
| P | SHAW JR, GEORGE P. | LA FAYETTE FAMILY PRACTICE, 611 NORTH MAIN STREET POST OFFICE BPX 1437 30728- | (423) 488-2544 | | 21495 | 2005 | Family Practice/General Practice | |
| LAGRANGE | | TROUP | | | | | | |
| P | TURTON, JR., WILLIAM W | 301 MEDICAL DRIVE, STE 506 30240- | (706) 880-7320 | | 21619 | 2012 | surgery | |
| | ALFORD JR, CLARENCE | EMORY CLARK HOLDER CLINIC P.A., 303 SMITH ST 30240-0000 | (706) 882-8831 | * | 21344 | 2002 | Family Practice/General Practice | |
| LAWRENCEVILLE | | GWINNETT | | | | | | |
| P | SMITH, SHEILA J. | FAMILY PRACTICE CLINIC, 696 GRAYSON HIGHWAY 30046-6372 | (770) 963-0927 | * | 17342 | 1979 | Family Practice/General Practice | |
| | PETREY, CAROLYN B | FAMILY PRACTICE CLINIC, 696 GRAYSON HIGHWAY 30045-0000 | (770) 963-0927 | * | 20462 | 1996 | Family Practice/General Practice | |
| LILBURN | | GWINNETT | | | | | | |
| | SCHECTER, HARVEY J. | TOTAL CARE, 976 KILLIAN HILL RD STE A 30047-0000 | (770) 923-7500 | | 19200 | 1992 | Family Practice/General Practice | |
| LOGANVILLE | | WALTON | | | | | | |
| A | CARR, JOHN S | 3470 YOUTH MONROE RD 30052-0000 | (678) 957-6301 | | 20515 | 1997 | Internal Medicine | |
| LOVEJOY | | CLAYTON | | | | | | |
| P | BIDDLE, MICHAEL DEAN | 2201 TALMADGE RD 30250-0000 | (678) 479-5636 | * | 19189 | 1991 | Family Practice/General Practice | |
| MACON | | BIBB | | | | | | |
| P | LINKOUS III, HARRY A | 320 FOREST HILL RD 31210-4826 | (478) 474-1375 | | 20437 | 1996 | Family Practice/General Practice | |
| | GREENE, MICHAEL E | 682 HEMLOCK ST STE 200 31201-0000 | (478) 746-3800 | | 19299 | 1994 | Family Practice/General Practice | |
| MARIETTA | | COBB | | | | | | |
| | CRABBE JR, CHARLES H | 320 KENNESTONE HOSP BLVD # 201 30060-0000 | (770) 427-2457 | * | 19223 | 1992 | Internal Medicine | |
| | CANTWELL, RYAN V | WELLSTAR PHYSICIANS GROUP, 320 KENNESTONE HOSPITAL BLVD. SUITE 201 30060-0000 | (770) 427-2457 | * | 21378 | 2002 | Internal Medicine | |
| P | SHUMAN, ROBERT C | 757 CHEROKEE STREET SUITE B 30060-0000 | (770) 422-4343 | | 08910 | 1963 | Anesthesiology | |
| P | BRETT, MILES E | URBAN FAMILY PRACTICE ASSOC, 2520 WINDY HILL RD STE 301 30067-8605 | (770) 952-1032 | * | 15035 | 1977 | Family Practice/General Practice | |
| | WILDSTEIN, WALTER B | CONCENTRA URGENT CARE, OCCUP HEALTH SVCS 220 NORTH COBB PKWY 30062- | (770) 424-7125 | * | 17284 | 1979 | Vascular Surgery | |
| | SNELL, WILLIAM E | 880 CANTON ROAD, NE - SUITE 300 30060-0000 | (770) 590-0585 | | 19249 | 1993 | Family Practice/General Practice | |
| | HENDLER, DAVID N | 2155 POST OAK TRITT RD STE 300 30062-0000 | (770) 565-8998 | | 19239 | 1992 | Internal Medicine | |
| | WILDSTEIN, WALTER B | CONCENTRA URGENT CARE, 820 COBB PKWY, STE A 30062- | (770) 424-7125 | * | 17284 | 1979 | Vascular Surgery | |
| | WILLIAMS, DAVID A | 2799 DELK RD SE SUITE 100 30067-0000 | (770) 955-2046 | * | 17173 | 1978 | Family Practice/General Practice | |
| | WALKER, PAUL L | POINTMED, 1810 WHITE CIRCLE SUITE 155 30066- | (877) 613-1990 | | 21354 | 2002 | Family Practice/General Practice | |
| MARTINEZ | | COLUMBIA | | | | | | |
| P | JOWERS, JONATHAN R. | 210 OAK STREET 30907-2366 | (706) 863-7155 | * | 14911 | 1976 | Family Practice/General Practice | |
| MAYSVILLE | | BANKS | | | | | | |
| | KINSEY, GARY S | MAYSVILLE FAMILY PRACTICE, PO BOX 349 11 HOMER ST 30558-0000 | (706) 652-2252 | | 19156 | 1990 | Family Practice/General Practice | |
| MILLEDGEVILLE | | BALDWIN | | | | | | |
| | ROBERTS, MICHAEL B | GENERAL & THORACIC SURGERY, 750 N COBB ST STE #110 31061-2390 | (478) 452-0205 | | 21303 | 2001 | Thoracic Surgery | |
| MOULTRIE | | COLQUITT | | | | | | |
| P | ALDRIDGE, RAYMOND | 3 HOSPITAL PARK 31768- | (229) 891-3325 | | 21493 | 2005 | Otorhinolaryngology | |
| NEWANAN | | COWETA | | | | | | |
| | HART, DAVID C | PAPP CLINIC -THOMAS CROSSROADS, 2959 HWY 154 BLDG A 30265-0000 | (770) 502-2040 | * | 21294 | 2001 | Internal Medicine | |
| | ARNALL JR, GUY | PAPP CLINIC - THOMAS CROSSROADS, 2959 SHARPSBURG MCCOLLUM RD 30265-0000 | (770) 502-2040 | * | 20511 | 1997 | Internal Medicine | |
| NORCROSS | | GWINNETT | | | | | | |
| | ARMENIA, ROBIN RENEE | CONCENTRA MED CTRS, 1905 BEAVER RUIN RD STE 175 30071- | (770) 441-0444 | * | 21214 | 1999 | Occupational/Industrial Medicine | |
| | SHEFFIELD, LOUISE F. | WELL BEINGS OCCUPATIONAL HEALTHCARE, 3300 HOLCOMB BRIDGE RD SUITE 110 30092- | (770) 449-5161 | | 21592 | 2010 | Internal Medicine | |
| | ST CLAIR, JANE T | WELL BEINGS OCCUPATIONAL HEALTHCARE, 3300 HOLCOMB BRIDGE RD STE 110 30092-0000 | (770) 449-5161 | * | 20448 | 2000 | Occupational/Industrial Medicine | |

GEORGIA - (Cont.)

| | | | | | | | | | |
|----------------------------|----------------------|--|----------------|---|-------|------|----------------------------------|--|--|
| PEACHTREE CITY | | FAYETTE | | | | | | | |
| P | CURTIS, JEFFERY V. | THE DOCTOR'S OFFICE, 3000 SHAKERAGE HILL 30269-0000 | (770) 631-9999 | * | 21192 | 1998 | Family Practice/General Practice | | |
| | GORMAN, RICHARD W | PEACHTREE CITY PHYSICIANS GRP, 1401 GEORGIAN PARK DR 30269-0000 | (770) 632-8909 | * | 19132 | 1988 | Family Practice/General Practice | | |
| A | GERARD, JANET D | PEACHTREE CITY PHYSICIANS GRP, 1401 GEORGIAN PARK DR 30269-0000 | (770) 632-8909 | * | 21203 | 1998 | Family Practice/General Practice | | |
| P | WALKER, DON C. | 64 EASTBROOK BEND JEFFERSON CORNER 64 POB 2530 30269-0000 | (770) 487-3272 | * | 19142 | 1989 | General Surgery | | |
| | WARNER, AMY S. | PIEDMONT PHYSICIANS, 1000 COMMERCE DR 30269-0000 | (770) 486-5000 | | 21225 | 1999 | Internal Medicine | | |
| PERRY | | HOUSTON | | | | | | | |
| | SAMPSON, BRUCE D. | 1019 KEITH DR 31069-0000 | (478) 987-2556 | * | 21151 | 1997 | Internal Medicine | | |
| POWDER SPRINGS | | COBB | | | | | | | |
| P | HILL, BOBBY W | POWDER SPRINGS MED CLNC, 4045-B LINDLEY CIRCLE 30127- | (770) 943-1636 | * | 19076 | 1986 | Family Practice/General Practice | | |
| RICHMOND HILL | | BRYAN | | | | | | | |
| | COBB, D. KEITH | MEMORIAL HEALTH-RICHMOND HILL, P.O BOX 640 3780 HIGHWAY 17 31324-0000 | (912) 756-2292 | | 21266 | 2001 | Occupational/Industrial Medicine | | |
| ROBINS AFB | | HOUSTON | | | | | | | |
| | KLEIN, WILLIAM B. | 78 MEDICAL GROUP/SGPFX, 655 7TH STREET, BLD 700 31098- | (478) 335-2464 | | 21595 | 2010 | Aerospace Medicine | | |
| ROME | | FLOYD | | | | | | | |
| P | SUMNER, RANDOLPH P | REDMOND PHYSICIAN NETWORK, 100 JOHN MADDOX DR 30165-0000 | (706) 290-9222 | * | 21274 | 2001 | Family Practice/General Practice | | |
| SAINT SIMONS ISLAND | | GLYNN | | | | | | | |
| P | FRIEDRICH, ERIC W | FRIEDRICH MEDICAL CENTER, 10 DUNBAR CREEK PT 31522- | (912) 222-0127 | * | 14857 | 1975 | Otorhinolaryngology | | |
| P | FRIEDRICH, ERIC W | FRIEDRICH MEDICAL CENTER, 10 DUNBAR CREEK PT 31522-1026 | (912) 222-0127 | * | 14857 | 1975 | Otorhinolaryngology | | |
| SAVANNAH | | CHATHAM | | | | | | | |
| | COWAN, AMANDA H. | ST. JOSEPH'S / CANDLER IMMEDIATE CARE, 361 COMMERCIAL DR 31406- | (912) 355-6221 | | 21541 | 2007 | Family Practice/General Practice | | |
| | HALL, MICHAEL A. | IMMEDIATE MED, 10410 ABERCORN STREET 31419- | (912) 927-6832 | | 21594 | 2010 | Family Practice/General Practice | | |
| | TIMMS, M. RICK | D.W. TIMMS M.D., P.C., 310 EISENHOWER DR #3 31406-0000 | (912) 354-2104 | * | 21268 | 2000 | General Surgery | | |
| SMYRNA | | COBB | | | | | | | |
| | SHADEED, BAHEEG L | ELITE SURGICAL, 3969 SO COBB DR STE 202 30080-0000 | (770) 438-9191 | * | 21271 | 2002 | General Surgery | | |
| SNELLVILLE | | GWINNETT | | | | | | | |
| P | LASSITER, NOLAN M. | 2176 OAK RD SW SUITE B 30078-0000 | (770) 985-2900 | * | 17176 | 1978 | Internal Medicine | | |
| P | LENTZ III, JOHN D | 2121 FOUNTAIN DRIVE 30078- | (770) 736-3008 | * | 18910 | 1983 | Family Practice/General Practice | | |
| STATESBORO | | BULLOCH | | | | | | | |
| P | SMITH, H RANDOLPH | STATESBORO FAMILY PRACTICE, 412 NORTHSIDE DR EAST STE 200 30458-4931 | (912) 764-9684 | | 17359 | 1980 | Family Practice/General Practice | | |
| | PURVIS, HENRY K | STATESBORO FAMILY PRACTICE, 412 NORTHSIDE DR EAST STE 200 30458- | (912) 764-9684 | | 21447 | 2004 | Family Practice/General Practice | | |
| STOCKBRIDGE | | HENRY | | | | | | | |
| | LATIMER, JIM WAYNE | MCINTOSH TRAIL FAMILY PRACTICE, 290 COUNTRY CLUB DR., STE 200 30281-0000 | (770) 506-1106 | | 21142 | 1999 | Aerospace Medicine | | |
| SUWANEE | | GWINNETT | | | | | | | |
| | JOHARY, ALBERT F | 4040 JOHNS CREEK PKWY STE-100E 30024-1254 | (404) 966-6300 | * | 21414 | 2003 | Internal Medicine | | |
| | SHIH, JOHN Y. | SUWANEE FAMILY PHYSICIANS, 960 PEACHTREE INDUSTRIAL BLVD 30024- | (770) 831-8191 | | 21455 | 2004 | Family Practice/General Practice | | |
| | STEVENS, CHRISTOPHEI | RELCON MEDICAL SERVICES, PS, 710 RIVER MIST DRIVE SIUTE A 30024- | (404) 491-2690 | | 21524 | 2006 | Family Practice/General Practice | | |
| SYLVANIA | | SCREVEN | | | | | | | |
| | MORGAN, SIDNEY J | MEMORIAL FAMILY MEDICAL ASSOC, 105 ROCKYFORD RD PO BOX 1663 30467-2025 | (912) 564-7133 | * | 19083 | 1986 | Family Practice/General Practice | | |
| THOMASTON | | UPSON | | | | | | | |
| | BUSBEE, JONATHAN F | THOMASTON MEDICAL CLINIC, 615 S CENTER ST 30286-0000 | (706) 647-2147 | | 21415 | 2003 | Internal Medicine | | |
| THOMASVILLE | | THOMAS | | | | | | | |
| P | MULLER, THOMAS U | 918 SO BROAD STREET 31792-0000 | (229) 221-4018 | * | 19301 | 1994 | Otorhinolaryngology | | |
| THOMSON | | MCDUFFIE | | | | | | | |
| P | POWELL, M FRANK | 464 MT PLEASANT RD PO BOX 840 30824-0000 | (706) 595-9080 | | 20499 | 1997 | Internal Medicine | | |
| TIFTON | | TIFT | | | | | | | |
| P | PIERZCHAJLO, RICHARD | FAMILY PRIME CARE LLC, 1489 KENNEDY RD 31794-0000 | (229) 391-9931 | | 19327 | 1994 | Family Practice/General Practice | | |

GEORGIA - (Cont.)

| | | | | | | | |
|----------------------|------------------------|---|----------------|---|-------|------|----------------------------------|
| TOCCOA | | STEPHENS | | | | | |
| P | MC DONALD, HARRY C | NORTHWOOD PROF BLDG, 201 FALLS RD STE A 30577-0000 | (706) 886-8476 | * | 19329 | 1994 | Family Practice/General Practice |
| TOWNSEND | | MCINTOSH | | | | | |
| | LEWIS, MARK A | 28 EAGLE NECK DR PO BOX 269, RT 2 31331-0000 | (912) 269-5439 | | 20481 | 1996 | Family Practice/General Practice |
| TUCKER | | DEKALB | | | | | |
| P | KASOW, GLENN G. | 2179 NORTHLAKE PKWY STE 109 30084-0000 | (770) 491-9400 | * | 14972 | 1976 | Urology |
| VALDOSTA | | LOWNDES | | | | | |
| | THOMAS, DENNIS R | 3374 GREYSTONE WAY 31604-3370 | (229) 247-9911 | * | 18959 | 1983 | Family Practice/General Practice |
| | STUBBS, JOE C | S GEORGIA MED ASSOC, 410 CONNELL RD 31602-0000 | (229) 244-4720 | * | 09219 | 1967 | Internal Medicine |
| | NEWTON JR, MILLEDGE (| SOUTH GEORGIA MEDICAL ASSOC, 410 CONNELL ROAD 31602- | (229) 244-4720 | | 21573 | 2009 | Internal Medicine |
| VIDALIA | | TOOMBS | | | | | |
| P | WILLIAMS JR., RONALD V | VIDALIA ENT ASSOCIATES, 101 HARRIS INDUSTRIAL BLVD. STE B 30474- | (912) 537-3384 | | 25057 | 1998 | Otorhinolaryngology |
| WAYCROSS | | WARE | | | | | |
| | WHEELER, GEORGE A | BLACKSHEAR FAMILY PRACTICE, 1218 ALICE ST 31501-0000 | (912) 284-9800 | | 19349 | 1995 | Family Practice/General Practice |
| WINDER | | BARROW | | | | | |
| | ORR, STEPHEN W | NORTH BROAD FAMILY MEDICINE, 295 N BROAD ST 30680-0000 | (770) 307-0661 | | 21280 | 2001 | Family Practice/General Practice |
| WOODSTOCK | | CHEROKEE | | | | | |
| | WILLIAMS, CHARLES D | NORTH FULTON FAMILY MEDICINE, 250 PARKBROOKE PLACE, STE. 300 30189- | (770) 442-1911 | * | 19124 | 1988 | Family Practice/General Practice |
| KENTUCKY | | | | | | | |
| ALBANY | | CLINTON | | | | | |
| | POWELL, WILLIAM C. | 106 NORTH CROSS STREET 42602-1416 | (606) 387-6631 | | 12288 | 1975 | Family Practice/General Practice |
| ASHLAND | | BOYD | | | | | |
| | RHODES, CHARLES M | ASHLAND-BELLEFONTE CARDIOLOGY, 800 SAINT CHRISTOPHER DR 41101-0000 | (606) 836-9613 | * | 17425 | 1980 | Internal Medicine |
| BOWLING GREEN | | WARREN | | | | | |
| P | WARREN, WALTER RICH, | 825 SECOND AVE., STE A-3 42101-0000 | (270) 796-8714 | | 21193 | 1998 | Neurology |
| EDGEWOOD | | KENTON | | | | | |
| | VILLEGAS, STEVEN D | 3005 DIXIE HWY STE 120 41017- | (859) 426-1000 | * | 21073 | 2001 | Internal Medicine |
| | DAVIES, EVAN J | ST ELIZABETH BUSINESS HLTH, 200 MEDICAL VILLAGE DR 41017-3406 | (859) 301-2999 | * | 21154 | 1997 | Occupational/Industrial Medicine |
| ELIZABETHTOWN | | HARDIN | | | | | |
| | DESAI, AMAR M. | 1324 WOODLAND DRIVE SUITE A 42701-0000 | (270) 765-5921 | | 19008 | 1984 | Internal Medicine |
| FLEMINGSBURG | | FLEMING | | | | | |
| P | BACON, WILLIAM G | FAMILY MEDICINE ASSOC FLEMINGSBURG, PO BOX 232 GORMAN MED OFFICE BLDG 41041-0000 | (606) 849-3374 | | 21286 | 2001 | Family Practice/General Practice |
| FLORENCE | | BOONE | | | | | |
| | DAVIES, EVAN J | ST ELIZABETH BUSINESS HLTH, 10095 INVESTMENT WAY 41042- | (859) 301-9050 | * | 21154 | 1997 | Occupational/Industrial Medicine |
| P | HASKELL, BRENTON E | BUSINESS HEALTH CENTER - MT. ZION, 10095 INVESTMENT WAY, SUITE 2 41042-0000 | (859) 301-9050 | | 07920 | 2001 | Aerospace Medicine |
| | SCHRAND, JAMES R | PATIENT FIRST, 7766 EWING BLVD LOWER LEVEL 41042-0000 | (859) 371-1153 | * | 07284 | 1965 | Family Practice/General Practice |
| FRANKFORT | | FRANKLIN | | | | | |
| P | PATTERSON, JOHN M | COMMONWEALTH UROLOGY, 101 MEDICAL HTS DR STE A 40601-0000 | (502) 223-5758 | | 19287 | 1993 | Urology |
| FULTON | | FULTON | | | | | |
| P | GOOCH, ALLEN C | 2002 HOLIDAY LANE 42041- | (270) 472-8150 | | 19296 | 1994 | Internal Medicine |
| HAZARD | | PERRY | | | | | |
| P | REDDY, SYAMALA H K | 200 MEDICAL CENTER DRIVE SUITE 3A 41701-0000 | (606) 439-4767 | | 19317 | 1994 | Ophthalmology |

KENTUCKY - (Cont.)

LEXINGTON

P OWEN, JAMES C
 A P ROGERS, LEO F
 GARMAN, RAY F
 PRINCE, TIMOTHY S
 P JOHNSON, WESLEY W.
 P GUMBERT JR, GEORGE I

330 ROMANY ROAD 40502-0000
 FAMILY PRACTICE ASSOC - LEXINGTON, 1775 ALYSHEBA
 WAY 40509-0000
 UNIV OF KY KY CLINIC SOUTH, OCCUP & AVIATION
 MEDICINE 2400 GREATSTONE PT 40504-
 UNIVERSITY OF KENTUCKY, 2400 GREATSTONE POINT
 40504-0000
 FAMILY PRACTICE ASSOC - LEXINGTON, 1775 ALASHEBA
 WAY STE 201 40509-
 LOA INC, 2537 LARKIN ROAD 40503-3201

(859) 266-2495 17580 1982 Emergency Medicine
 (859) 278-5007 * 14872 1975 Family Practice/General Practice
 (859) 257-5150 * 12439 1973 Internal Medicine
 (859) 257-5150 21270 2001 Occupational/Industrial Medicine
 (859) 263-5007 * 21464 2005 Family Practice/General Practice
 (859) 277-5703 04936 1960 Orthopedic Surgery

FAYETTE

LOUISVILLE

P BOSLER III, JAMES W
 BOWLDS, CHARLES F
 BARRETT, MELISSA T
 P RENDA, WILLIAM M
 P DANIELS, DAVID G
 P SHULTHISE, ARTHUR J
 P ODER, KENNETH L.
 P LEWIS, NORMAN V
 MOORE, THOMAS L
 CARNES, BENIS G.
 THOMPSON, ELIOT L
 P LEWIS, JASON C.
 LEWIS, MARY S
 P ODER, KENNETH L.
 HURST, ARTHUR T
 JONSSON, SVEN T
 WRIGHT, JAMES A.
 VANNIER, FRANK P
 RENNIRT, DIANE A
 MOORE, THOMAS L
 P SEVERS, CHARLES B.
 P KINCAID JR., CHARLES A

250 E LIBERTY ST #410 40202-0000
 MEDEAST PHYSICIANS PLLC, 4003 KRESGE WAY STE 410
 40207-4652
 MEDEAST PHYSICIANS PLLC, 4003 KRESGE WAY STE 410
 40207-4652
 BROWN & REICHARD PSC, 4001 KRESGE WAY #100
 40207-0000
 10216 TAYLORSVILLE RD STE 500 40299-0000
 SHULTHISE AVIATION MEDICINE, BOWMAN FIELD 2801
 TAYLORSVILLE RD BLDG 2801 40205-0000
 NORTON COMMUNITY MEDICAL ASSOCIATES, 12615
 TAYLORSVILLE ROAD 40299-
 LOUISVILLE ORTHOPEDIC CLNC, 4130 DUTCHMANS LANE
 40207-0000
 BAPTIST MEDICAL ASSOCIATES, 3303 FERN VALLEY ROAD
 40213-
 SUN VALLEY FAMILY CARE, 9616 DIXIE HWY #A 40272-
 SPRINGS PEDIATRICS AND AVIATION, 6400 DUTCHMAN'S
 PKWY #15 40205-
 BAPTIST HOSPITAL EAST PAIN MANANAGEMENT CLINIC,
 4000 KRESGE WAY 40207-
 MEDEAST PHYSICIANS, 4003 KRESGE WAY #410 40207-
 NORTON COMMUNITY MEDICAL ASSOCIATES, 12615
 TAYLORSVILLE RD 40299-
 DR. HURST & MARQUESS, PSC, 4003 KRESGE WAY,
 SUITE 410 40207-
 BLANKENBAKER PRIMARY CARE, 1937 BLANKENBAKER
 PARKWAY 40299-
 JEFFERSONTOWN FAMILY PRACTICE, 10216
 TAYLORSVILLE RD STE #400 40299-
 OCCUPATIONAL PHYSICIAN SERVICES, 3430 NEWBURG
 RD STE 106 40218-0000
 PREMIER INTERNAL MEDICINE, JEWISH MEDICAL CENTER
 EAST 3920 DUTCHMANS LANE, STE 309 40207-0000
 BAPTIST MEDICAL ASSOCIATES, 2400 EASTPOINT
 PARKWAY SUITE 550 40223-0000
 SHULTHISE AVIATION MEDICINE, 2801 TAYLORSVILLE RD
 BLDG 2801 BOWMAN-FIELD 40205-0000
 3999 DUTCHMANS LN STE 6-B NORTON SUBURBAN
 MEDICAL PLAZA I 40207-4738

(502) 587-0521 21233 1999 Internal Medicine
 (502) 893-7462 * 20516 1997 Internal Medicine
 (502) 893-8750 * 20517 1997 Internal Medicine
 (502) 897-6579 * 20429 1996 Orthopedic Surgery
 (502) 244-4622 * 12050 2002 Dermatology
 (502) 459-5003 * 02150 1991 Family Practice/General Practice
 (502) 477-9171 21467 2005 Family Practice/General Practice
 (502) 897-1794 * 20436 1996 Orthopedic Surgery
 (502) 254-0907 * 21393 2002 Family Practice/General Practice
 (502) 937-1717 21613 2011 Family Practice/General Practice
 (502) 895-0524 21604 2010 Pediatrics
 (502) 896-7246 21609 2011 Anesthesiology
 (502) 893-8750 * 21453 2004 Internal Medicine
 (502) 261-1595 21467 2005 Family Practice/General Practice
 (502) 893-8750 * 21480 2005 Internal Medicine
 (502) 297-8555 21481 2005 Family Practice/General Practice
 (502) 267-5456 21483 2005 Family Practice/General Practice
 (502) 451-1100 19400 1995 Occupational/Industrial Medicine
 (502) 259-6062 * 21406 2003 Internal Medicine
 (502) 253-6630 * 21393 2002 Family Practice/General Practice
 (502) 459-5003 * 10330 1968 Family Practice/General Practice
 (502) 897-1891 * 17286 1979 Plastic Surgery

JEFFERSON

MADISONVILLE

P CHUMBLEY, ERIC M
 COLOMBO JR, LIBERTO I

TROVER CLINIC, 200 CLINIC DRIVE 42431-0000
 200 CLINIC DR 42431-0000

(270) 825-7200 * 21403 2003 Family Practice/General Practice
 (270) 825-7351 * 19506 2004 Occupational/Industrial Medicine

HOPKINS

MOREHEAD

P FOSSETT, RALPH T

CAVE RUN SURGICAL ASSOCIATES, 425 CLINIC DR
 40351-0000

(606) 784-7551 19384 1995 Orthopedic Surgery

ROWAN

MOUNT VERNON

P GRIFFITH, GEORGE W

160 EAST MAIN ST PO BOX 609 40456-0000

(606) 256-2961 21352 2002 Family Practice/General Practice

ROCKCASTLE

OWENSBORO

P DALZELL JR, ROBERT C

LINCOLN PROF CTR, 410 EAST 7TH STREET 42303-0000

(270) 302-9130 * 12215 1974 Family Practice/General Practice

DAVISS

PADUCAH

P HAWKINS, JAMES M.
 P CRAWFORD, MARK L
 P GROW, JOSEPH B

4460 SHEMWELL LANE 42003-0000
 1333 LONE OAK RD 42003-0000
 FARRINGTON ARPK, 4460 SHEMWELL LANE 42003-0000

(270) 210-2995 19404 1995 Otorhinolaryngology
 (270) 415-9970 * 19117 1993 Orthopedic Surgery
 (270) 331-0382 19049 1985 Anesthesiology

MCCRACKEN

PIKEVILLE

ROBERTS, ELSTER D

114 ROBERTS CIR PO BOX 2008 41502-2008

(606) 432-0986 * 12036 1972 Family Practice/General Practice

PIKE

PINEVILLE

P MASSEY JR, SAMUEL O

CLEAR CREEK BAPTIST SCHOOL, MEDICAL CLINIC 300
 CLEAR CREEK RD 40977-0000

(606) 337-3196 07512 2000 Family Practice/General Practice

BELL

KENTUCKY - (Cont.)

| | | | | | | | |
|------------------------|----------------------|---|------------------|-------|------|----------------------------------|--|
| PRESTONSBURG | | FLOYD | | | | | |
| P | ARNETT, CHARLES F | FLOYD COUNTY HEALTH DEPT., 283 GOBLE ST 41653-0000 | (606) 886-2478 | 15038 | 1977 | Family Practice/General Practice | |
| RICHMOND | | MADISON | | | | | |
| P | DAVIDSON, CHARLES S | 793 EASTERN BY-PASS STE 201 40475-0000 | (859) 624-8647 * | 17212 | 1978 | Family Practice/General Practice | |
| RUSSELL SPRINGS | | RUSSELL | | | | | |
| P | RICE, D SHANE | 313 ESTO HEIGHTS 42642-0000 | (270) 343-5038 | 19267 | 1993 | Family Practice/General Practice | |
| SCOTTSVILLE | | WARREN | | | | | |
| P | WARREN, WALTER RICH, | 466 BURNLEY RD 42164-0000 | (270) 618-3700 | 21193 | 1998 | Neurology | |
| SOMERSET | | PULASKI | | | | | |
| P | SINCLAIR, KEITH G | CUMBERLAND SURGICAL ASSOCIATES, 26 OXFORD WAY STE A 42503-0000 | (606) 679-5161 | 19314 | 1994 | General Surgery | |
| TRENTON | | TODD | | | | | |
| P | CAMPBELL, MARK R | TRENTON CLINIC, 120 NORTH MAIN STREET 42286-0000 | (270) 466-9300 * | 19051 | 1985 | Family Practice/General Practice | |
| WINCHESTER | | CLARK | | | | | |
| | ROGERS, ANITA G | KY OCCMED, 505 SHOPPERS DR STE 3 40391-0000 | (859) 737-3911 | 21360 | 2002 | Emergency Medicine | |
| MISSISSIPPI | | | | | | | |
| BELZONI | | HUMPHREYS | | | | | |
| | GORTON, WALTER M | GLH GORTON CLINIC, 107 CHURCH ST POB 633 39038-0000 | (662) 247-2105 | 12172 | 1974 | Internal Medicine | |
| BRANDON | | RANKIN | | | | | |
| | RANDOLPH, RICHARD C | 348 CROSSGATES BLVD SUITE 2200 39042-0000 | (601) 825-2466 | 19197 | 1991 | Family Practice/General Practice | |
| CLARKSDALE | | COAHOMA | | | | | |
| P | JOHNSON JR, WHITMAN | 401 PECAN STREET 38614-0000 | (662) 624-5458 | 19211 | 1992 | General Surgery | |
| CLINTON | | HINDS | | | | | |
| P | WHEAT, DAVID B. | CLINTON FAMILY CARE, 309A MORRISON DR. 39056- | (601) 924-1877 * | 21538 | 2006 | Family Practice/General Practice | |
| COLUMBUS | | LOWNDES | | | | | |
| | STOKES, ANN MARIE B | CLINIC AT ELM LAKE, 3700 NORTH FRONTAGE ROAD 39701-8408 | (662) 240-9999 * | 21257 | 2003 | Family Practice/General Practice | |
| FLOWOOD | | RANKIN | | | | | |
| | WEGENER, ERIC E | 2550 FLOWOOD DR., SUITE 200 39232-0000 | (601) 939-9999 | 21392 | 2002 | Plastic Surgery | |
| GREENWOOD | | LEFLORE | | | | | |
| P | HEY, JOHN P. | MEDICAL ARTS BLDG, 405 RIVER ROAD 38930-0000 | (662) 453-6177 * | 17186 | 1978 | Family Practice/General Practice | |
| GRENADA | | GRENADA | | | | | |
| P | RIDDELL, MAL S | 1300 SUNSET DR STE B POB 1263M 38902-1263 | (662) 226-6430 * | 19370 | 1995 | Family Practice/General Practice | |
| HATTIESBURG | | FORREST | | | | | |
| | THOMAS, DOUGLAS F | HATTIESBURG CLINIC, 415 SOUTH 28TH AVE 39401-7246 | (601) 268-5650 * | 17117 | 1978 | Internal Medicine | |
| JACKSON | | HINDS | | | | | |
| | MUSICK, STANLEY C | C/O JACKSON NEUOSURGERY CLINIC, 971 LAKELAND DRIVE, SUITE 1250 39216-0000 | (601) 668-6469 | 08819 | 1998 | Obstetrics/Gynecology | |
| P | TIWARI, SALIL C | JACKSON NEUROLOGY ASSOC, 971 LAKELAND DR WEST TOWER STE 1151 39216-4699 | (601) 981-0034 | 16463 | 1993 | Dermatology | |
| P | JOINER, THOMAS E | 1635 RAYMOND RD 39204-0000 | (601) 372-3998 | 21416 | 2003 | Family Practice/General Practice | |
| LAUREL | | JONES | | | | | |
| P | LINDSTROM, ERIC E | LINDSTROM EYE CLNC, 1020 ADAMS ST POB 407 39441-0407 | (601) 426-9454 * | 15031 | 1977 | Ophthalmology | |
| LOUISVILLE | | WINSTON | | | | | |
| P | SUTTLE, SAMUEL KEITH | LOUISVILLE MEDICAL ASSOC, 564 EAST MAIN ST POB 190 39339-0000 | (662) 773-4242 * | 19186 | 1991 | Family Practice/General Practice | |
| MARKS | | QUITMAN | | | | | |
| P | WALLER, RICHARD E | 1024 MARTIN LUTHER KING DR 38646-0000 | (662) 326-3502 | 17206 | 1979 | Family Practice/General Practice | |
| MERIDIAN | | LAUDERDALE | | | | | |
| P | BILLUPS, WILLIAM A | 2111 14TH STREET 39301-0000 | (601) 693-3834 | 12121 | 1988 | General Surgery | |
| P | VALENTINE, JAMES LEE | PRIMARY CARE ASSOCIATES, 2800 NORTH HILL STREET 39305- | (601) 693-9906 | 21598 | 2010 | Family Practice/General Practice | |
| | FRENCH, TERRY M | MERIDIAN MEDICAL ASSOC, 2024 15TH STREET | (601) 553-2000 * | 19103 | 1987 | Family Practice/General Practice | |

MISSISSIPPI - (Cont.)

MISSISSIPPI STATE

OKTIBBEHA

P COLLINS, ROBERT K. JC LONGEST STUDENT HLTH CTR, 2 HARDY ST PO BOX (662) 325-2431 * 21217 1999 Family Practice/General Practice
6338 39762-0000

NATCHEZ

ADAMS

A P ENGLAND, LESLIE E 151 JEFF DAVIS BLVD STE C 39120-0000 (601) 442-9802 17593 1983 Internal Medicine

OCEAN SPRINGS

JACKSON

P MARTIN, JAMES B KARE MED INC, 1103 HANLEY RD 39566-0506 (228) 875-3097 * 12021 1972 Family Practice/General Practice

PLANTERSVILLE

LEE

P GARY, WILLIAM A PLANTERSVILLE CLINIC, 2554 MAIN ST 38862-0000 (662) 844-3232 * 17266 1979 Family Practice/General Practice

RICHTON

PERRY

P BEAMAN, JOHN M. FAMILY CARE CLINIC, 302 BAY AVE PO DRAWER 1650 (601) 788-6321 * 18940 1983 Family Practice/General Practice
39476-0000

RIDGELAND

MADISON

MUSICK, STANLEY C C/O JACKSON NEUOSURGERY CLINIC, 201 CRESTWOOD (08819) 1998 Obstetrics/Gynecology
COVE 39157-

SOUTHAVEN

DESOTO

KELLY, RICHARD A 210 GOODMAN RD EAST SUITE 4 38671-0000 (662) 349-2251 * 19286 1993 Family Practice/General Practice

STARKVILLE

OKTIBBEHA

MCKIBBEN, EVERETT C. LAIRD CLN OF FAMILY MED, 103 DOCTOR'S PARK (662) 323-2515 21221 1999 Family Practice/General Practice
39759-0000

TUPELO

LEE

MITCHELL JR, JOHN R FAMILY MEDICINE RESIDENCY CENTER, 1665 SOUTH (662) 377-2189 21566 2008 Family Practice/General Practice
GREEN STREET 38804-

TYLERTOWN

WALTHALL

SPEED, JULIUS KEITH FAMILY MEDICINE ASSOC, 200 HOSPITAL DRIVE 39667-0000 (601) 876-5835 19148 1989 Family Practice/General Practice

WEST POINT

CLAY

P POWELL, RONALD E WEST POINT FAMILY MED CLNC, 740 MEDICAL CENTER DR (662) 494-8500 17536 1982 Family Practice/General Practice
39773-0000

NORTH CAROLINA

ASHEVILLE

BUNCOMBE

P PARK, ROBERT I. CAROLINA OPHTHALMOLOGY, 1 VANDERBILT PARK DR., (828) 693-1773 21574 2009 Ophthalmology
STE 150 28803-

BLOWING ROCK

WATAUGA

DAVANT III, CHARLES BLOWING ROCK MEDICAL CLINIC PA, 366 CHESTNUT DR (828) 295-3116 * 14976 1977 Family Practice/General Practice
PO BOX 8 28605-0000

DAVIS JR, JOHN D BLOWING ROCK MEDICAL CLINIC PA, 366 CHESTNUT DR (828) 295-3116 19290 1993 Family Practice/General Practice
PO BOX 8 28605-0000

BREVARD

TRANSYLVANIA

P BENTON III, GEORGE R MEDICAL ASSOCIATES OF, TRANSYLVANIA REGIONAL (828) 884-9030 * 21361 2004 Family Practice/General Practice
HOSPITAL 377 GALLIMORE RD 28712-

CARY

WAKE

P MANN, CHARLES H MANN EAR NOSE & THROAT CLNC, 601 KEIFLER STE 200 (919) 859-4744 14474 1998 Otorhinolaryngology
27511-0000

CHAPEL HILL

ORANGE

GUITERAS, G PATRICK CHAPEL HILL FAMILY MEDICINE, 120 CONNER DR STE 200 (919) 967-8291 * 17344 1979 Family Practice/General Practice
27514-2884

CHARLOTTE

MECKLENBURG

KANE, LOREN S KANE INTERNAL MEDICINE PA, 7257 PINEVILLE MATTHEW (704) 367-4373 * 21399 2004 Internal Medicine
ROAD #1200 HIGHWAY 51 28226-

P HUDSON, ALBERT D CHARLOTTE MED CLNC, MED CTR PLAZA 1001 BLYTHE (704) 355-5100 * 20477 1996 Internal Medicine
BLVD #500 28203-0000

P MUELLER, ANDREW T. 5815 BLAKENEY PARK DR STE 200-B 28277- (704) 316-5080 * 21489 2005 Family Practice/General Practice

ADCOCK, JIMMIE W FIRST CHARLOTTE PHYSICIANS, 210 EAST TRADE (704) 384-7085 * 20470 1996 Internal Medicine
STREET STE 230-D 28202-

BULLOCK, WILLIAM R FIRST CHARLOTTE PHYSICIANS, 210 EAST TRADE STREET (704) 384-7085 * 12184 1974 Internal Medicine
STE 230-D 28202-

P SINCOX JR, FRANCIS J OLD TERMINAL BLDG 4700 YORKMOUNT RD PO BOX 19412 (704) 359-8988 * 08920 1963 Family Practice/General Practice
28219-9412

CLEVELAND

ROWAN

P BARR, JOHN F CLEVELAND MEDICAL CENTER, PA, 11711 STATESVILLE (704) 278-4053 * 18985 1984 Family Practice/General Practice
BLVD 27013-0000

NORTH CAROLINA - (Cont.)

| | | | | | | | |
|-----------------------|-----------------------|---|----------------|---|-------|------|-----------------------------------|
| COATS | | HARNETT | | | | | |
| P | ROBINSON, LINDA M. | COATS MEDICAL CLINIC, 25 N JOHNSON ST PO BOX 819 27521-0000 | (910) 897-6423 | * | 21159 | 1998 | Family Practice/General Practice |
| DURHAM | | DURHAM | | | | | |
| | JACKSON, GEORGE W | DUKE EMPLOYEE HEALTH SERVICES, DUKE CLINIC BLDG RM 04290 RED ZONE BOX 3148 DUMC 27710-0000 | (919) 684-3136 | * | 19041 | 1985 | Preventive Medicine/Public Health |
| ELIZABETH CITY | | PASQUOTANK | | | | | |
| P | HEYDER, ALBRECHT M | ATLANTIC PULMONARY ASSOC, 111-A MEDICAL DR 27909-0000 | (252) 331-1506 | | 21366 | 2002 | Internal Medicine |
| FAYETTEVILLE | | CUMBERLAND | | | | | |
| P | DESAI, NITIN D. | CROSS CREEK MEDICAL CLINIC, 1309 MEDICAL DRIVE 28304- | (910) 437-5130 | | 21614 | 2011 | Internal Medicine |
| P | GEIGER, J. MICHAEL | NEW HORIZONS SURGICAL EYE CENTER, PA, 810 ELM STREET 28303- | (910) 321-0356 | * | 21535 | 2006 | Ophthalmology |
| P | RITCHEY, JOHN P | NEW HORIZONS SURGICAL EYE CENTER, 810 ELM STREET 28303- | (910) 321-0356 | * | 17109 | 1978 | Ophthalmology |
| | COOPER, GEORGE L. | ONE VILLAGE PLAZA 2139 VALLEY GATE DR, STE 101A 28304-3657 | (910) 323-2002 | | 21205 | 1999 | Ophthalmology |
| GRAHAM | | ALAMANCE | | | | | |
| P | CRISSMAN, MARK A | CRISSMAN FAMILY PRACTICE, 214 EAST ELM ST 27253-0000 | (336) 226-2448 | * | 21364 | 2002 | Family Practice/General Practice |
| GREENSBORO | | GUILFORD | | | | | |
| | DAUB, STEVE A | URGENT MEDICAL CARE CTR, 102 POMONA DRIVE 27407-0000 | (336) 299-0000 | * | 17489 | 1981 | Family Practice/General Practice |
| P | NICHOLSON JR, CHARLE | 7680 AIRLINE ROAD , PTI AIRPORT 27409- | (336) 369-2838 | * | 14855 | 1975 | General Surgery |
| P | ROBERTS, RONALD W | 1002 N CHURCH ST STE 101 27401-0000 | (336) 273-2584 | | 19253 | 1993 | Internal Medicine |
| P | DAVIS, JEROME I | BATTLEGROUNDS URGENT CARE, 3402 BATTLEGROUNDS AVE 27410-0000 | (336) 545-1515 | * | 17360 | 2002 | Family Practice/General Practice |
| HALIFAX | | HALIFAX | | | | | |
| P | EVERETT, ROY NATHAN | HALIFAX NORTH HAMPTON COUNTY AIRPORT, 700 GREGORY FARM ROAD 27839- | (252) 514-7727 | * | 19232 | 1992 | Internal Medicine |
| HAVELOCK | | Craven | | | | | |
| P | MOELLER, G RADFORD | EASTERN CAROLINA INTERNAL MED, 532 WEBB BLVD 28532-0000 | (252) 447-7088 | | 17596 | 1982 | Internal Medicine |
| HICKORY | | CATAWBA | | | | | |
| | EDWARDS, ALLEN R | HART INDUSTRIAL CLINIC, 2850 TATE BLVD SE 28602-0000 | (828) 326-7000 | * | 19260 | 1993 | Occupational/Industrial Medicine |
| | OSBAHR, ALBERT J. | CATAWBA VALLEY MEDICAL CENTER, OCCUPATIONAL HEALTH 810 FAIRGROVE CHURCH RD SE 28602- | (828) 326-3230 | * | 21210 | 1999 | Occupational/Industrial Medicine |
| HUNTERSVILLE | | MECKLENBURG | | | | | |
| | ALEXANIAN, ARAM | LAKESIDE FAMILY PHYSICIANS, 14330 OAK PARK LANE SUITE 200 28078- | (704) 316-1265 | * | 21509 | 2006 | Family Practice/General Practice |
| JAMESTOWN | | GUILFORD | | | | | |
| | HOPPER, WILLIAM F | LE BAUER HEALTH CARE, 4810 W WENDOVER 27282-0000 | (336) 547-1792 | * | 17567 | 1982 | Internal Medicine |
| KINGS MOUNTAIN | | CLEVELAND | | | | | |
| P | SINCOX JR, FRANCIS J | 819 SUNNYSIDE/SHADY REST RD 28086-8405 | (704) 730-9065 | * | 08920 | 1963 | Family Practice/General Practice |
| LENOIR | | CALDWELL | | | | | |
| P | MACGUIRE, O. RAINER | BLUE RIDGE EMPLOYEE HEALTH, 1000 WINDING BRANCH ROAD 28645- | (828) 758-9583 | * | 17227 | 1979 | Family Practice/General Practice |
| LOUISBURG | | FRANKLIN | | | | | |
| P | STOVER, PHILLIP E | 1501 NORTH BICKETT BLVD. SUITE G 27549-2311 | (919) 496-1247 | * | 19038 | 1985 | Family Practice/General Practice |
| LUMBERTON | | ROBESON | | | | | |
| P | BEASLEY, CHARLES R | LUMBERTON MEDICAL CLINIC, 395 W 27TH ST 28358- | (910) 739-7551 | | 21439 | 2004 | Internal Medicine |
| MARION | | MCDOWELL | | | | | |
| | BARTELS, PAMELA K. | MCDOWELL MEDICAL ASSOCIATES PA, 1860 SUGAR HILL ROAD 28752- | (828) 652-8727 | * | 21494 | 2005 | Family Practice/General Practice |
| P | HORAN, WILLIAM J | MCDOWELL MEDICAL PARK, 31 E MEDICAL COURT SUITE 2 28752- | (828) 659-5700 | * | 19626 | 1986 | General Surgery |
| MOORESVILLE | | IREDELL | | | | | |
| | CASTIGLIA, ANTHONY J. | ADVANCED INTEGRATIVE MEDICINE, 570 WILLIAMSON ROAD SUITE C 28117-4147 | (704) 799-9740 | * | 09442 | 1997 | Family Practice/General Practice |
| | RENICH, MICHAELA E. | MOORESVILLE FAMILY PRACTICE, 417 E STATESVILLE AVE 28115- | (704) 663-3063 | | 21490 | 2005 | Family Practice/General Practice |
| P | GROSS, THOMAS E. | MOORESVILLE FAMILY PRACTICE, 417 E STATESVILLE AVE 28115-0000 | (704) 663-3063 | * | 19459 | 1994 | Family Practice/General Practice |
| MOREHEAD CITY | | CARTERET | | | | | |
| P | ANDERSON, JEFFERY S. | BEACHCARE URGENT MEDICAL CARE CENTER, PO BOX 1406, 5059 HIGHWAY 70 W 28557-0000 | (252) 808-3696 | * | 20533 | 1997 | Emergency Medicine |

NORTH CAROLINA - (Cont.)

| | | | |
|--------------------|-----------------------|--|--|
| MORGANTON | | BURKE | |
| P | MACGUIRE, O. RAINER | BLUE RIDGE EMPLOYEE HEALTH, 2201 S STERLING ST 28655-0000 | (828) 758-9583 * 17227 1979 Family Practice/General Practice |
| NAGS HEAD | | DARE | |
| P | DAVIDSON, CHARLES S | 2518 S CROATAN HWY 27959-0000 | (252) 441-2144 * 17212 1978 Family Practice/General Practice |
| NEW BERN | | CRAVEN | |
| P | EVERETT, ROY NATHAN | HALIFAX NORTH HAMPTON COUNTY AIRPORT, TRADEWINDS AVIATION 820 AVIATION DRIVE 28562- | (252) 514-7727 * 19232 1992 Internal Medicine |
| NEWPORT | | CARTERET | |
| P | BLOOMFIELD, RICHARD | 338 HOWARD BLVD USE - POST OFFICE BOX 969 28570-0000 | (252) 223-5054 * 12645 1976 Family Practice/General Practice |
| PINEHURST | | MOORE | |
| A P | PARISH JR, HAVNER H | 685 DIAMONDHEAD DR S 28374-9769 | (910) 235-0264 * 11982 1971 Urology |
| P | SUBIN, GLEN D. | MID-SOUTH ORTHOPEDIC, PA, 40 AVIEMORE DR 28374-0000 | (910) 295-4500 * 21212 1999 Orthopedic Surgery |
| RALEIGH | | WAKE | |
| P | MARTIN, PHILIP L | SOUTHERN EYE ASSOC, 2801 BLUE RIDGE RD #200 27607-0000 | (919) 571-0081 * 14873 1975 Family Practice/General Practice |
| P | BURKARD, JOHN L | CAPITAL FAMILY PHYSICIANS PA, 2417 ATRIUM DR STE 201 27607-0000 | (919) 232-0020 * 21422 2003 Family Practice/General Practice |
| P | MOONEY III, AL J | 1001 NAVAHO DR, SUITE 150 27609-0000 | (919) 238-9349 21253 2000 Family Practice/General Practice |
| | SAMIA, MARK A. | MEDFIRST MECICAL CENTER, 2731-B CAPITAL BLVD 27604- | (919) 878-4624 21602 2010 Preventive Medicine/Public Health |
| P | CANNON, WOODWARD | RALEIGH SURG GRP, 2800 BLUE RIDGE BLVD STE 300 27607-0000 | (919) 782-7874 * 04357 1978 General Surgery |
| P | NUTT, JAMES E | CAROLINA CARDIOLOGY CONSULTANTS, 3324 SIX FORKS RD 27609-0000 | (919) 781-7772 21321 2001 Internal Medicine |
| | HAMMER, DOUGLAS I | BLUE RIDGE FAMILY PHYSICIANS, 2605 BLUE RIDGE RD STE 300 27607-0000 | (919) 787-3448 21267 2000 Family Practice/General Practice |
| | CHAMBLEE JR, H ROYST | 20 ENTERPRISE STREET 27607-7375 | (919) 829-1948 09230 1967 Ophthalmology |
| REIDSVILLE | | ROCKINGHAM | |
| P | HALM, STEVEN J | TRIAD MED & PEDIATRICS ASSOC, 217-F TURNER DRIVE 27320-0000 | (336) 634-3902 * 21363 2002 Internal Medicine |
| SALISBURY | | ROWAN | |
| P | FARRINGTON JR., CECIL | FARRINGTON FAMILY MEDICAL CENTER, 401 MOCKSVILLE AVENUE SUITE 200 28144-2735 | (704) 637-1123 * 17566 1982 Family Practice/General Practice |
| SANFORD | | LEE | |
| P | PATTERSON, ROBERT W | THE FAMILY DOC, 1411 GREENWAY COURT 27330-0000 | (919) 776-3750 * 18947 2002 Family Practice/General Practice |
| SEAGROVE | | RANDOLPH | |
| | GAGE, JOHN F | RANDOLPH MEDICAL ASSOC, 514 N BROAD ST 27341-0000 | (336) 873-8045 * 20522 1997 Family Practice/General Practice |
| SHELBY | | CLEVELAND | |
| P | JONES, ROBERT S | JONES FAMILY PRACTICE, 113 EAST GROVER ST 28150-0000 | (704) 487-5228 * 09173 1967 Family Practice/General Practice |
| | JONES, STEPHEN W | JONES FAMILY PRACTICE, 113 EAST GROVER ST 28150-0000 | (704) 487-5228 * 19406 1995 Family Practice/General Practice |
| SOUTHPORT | | BRUNSWICK | |
| | FORSTNER, JAMES R | 4654 LONG BEACH RD 28461-0000 | (910) 457-9564 17153 1978 Family Practice/General Practice |
| SPINDALE | | RUTHERFORD | |
| | WASHBURN JR, HARRILL | SPINDALE FAMILY PRATICE, 144 RESERVATION DR 28160-1566 | (828) 287-0200 21185 1998 Family Practice/General Practice |
| STATESVILLE | | IREDELL | |
| | MARKS, FRED | PIEDMONT HEALTHCARE, 1818 DAVIE AVENUE 28677-3522 | (704) 873-1036 * 17561 1982 Internal Medicine |
| P | SALTZMAN, ROBERT I | PIEDMONT HEALTHCARE, 208 OLD MOCKSVILLE ROAD 28625-1930 | (704) 878-9800 * 13638 1978 Orthopedic Surgery |
| SUPPLY | | BRUNSWICK | |
| P | SEDER, JEFFREY D | BRUNSWICK CARDIOLOGY, PLLC, 20 MEDICAL CAMPUS DR, STE 203 PO BOX 427 28462-0427 | (910) 755-7192 * 19399 1995 Internal Medicine |
| WALLACE | | DUPLIN | |
| | RICCI, DANIEL M | INTERNAL MEDICINE, 207 EAST MURPHY ST PO BOX 968 28466-0000 | (910) 285-6770 * 19332 1995 Internal Medicine |
| WASHINGTON | | BEAUFORT | |
| P | MILLER, GEORGE J | PAMLICO ORTHOPEDICS, 1207 HIGHLAND DR 27889-3405 | (252) 946-6513 17311 1979 Orthopedic Surgery |
| WILKESBORO | | WILKES | |
| P | BOND, JOHN L | WILKES SURGICAL ASSOCIATES, 1201 SCHOOL STREET SUITE G 28697-0000 | (336) 667-5146 * 09211 1967 General Surgery |

NORTH CAROLINA - (Cont.)

WILMINGTON

CROMER JR, JOHN W 1135 MILITARY CUTOFF, SUITE 103 28405-0000 (910) 256-6222 * 17329 1979 Occupational/Industrial Medicine
 P ARMISTEAD JR, HOWARD MEDAC CORPORATE HEALTH SVCS, 4402 SHIPYARD BLVD. 28403-0000 (910) 452-7000 * 12033 1972 Family Practice/General Practice

WILSON

P NELMS JR, WALLACE R. FAMILY MEDICINE, 2546 WARD BLVD 27893- (252) 399-0707 21537 2006 Family Practice/General Practice

WINSTON SALEM

FORSYTH

P ROSEN, ROBERT D ARDMORE FAMILY PRACTICE, 2805 LYNDHURST AVE 27103-4109 (336) 659-0076 * 19268 1993 Family Practice/General Practice
 WHITE, ANNE LITTON 3000 BETHESDA PL STE 602 27103-0000 (336) 659-2663 * 21206 1999 Family Practice/General Practice
 BRANCH, JAMES D. 224 TOWN RUN LANE 27101-0000 (336) 723-0748 19266 1993 Ophthalmology
 BONFILII, HUBERT F SMITH REYNOLDS ARPT TERMINAL, 3801 N LIBERTY ST STE 210 27105-3968 (336) 744-7171 * 21169 1997 Family Practice/General Practice
 P KIRKLAND, STEPHEN M. FORSYTH CARDIOLOGY ASSOCIATES, 3073 TRENWEST DR 27103-0000 (336) 768-0437 * 21184 1998 Internal Medicine
 KELLY, ROBERT G BLDG 100 ROBINHOOD MEDICAL PLAZA 27106-0000 (336) 718-0800 * 17372 1980 Family Practice/General Practice

WOODLAND

NORTHAMPTON

A P STANLEY, JOHN H 105 SPRUCE ST DRAWER B 27897-0000 (252) 587-3511 11871 1969 Family Practice/General Practice

PUERTO RICO

ARECIBO,

P DIAZ-RUIZ, JAMIL T. AERROPUERTO ANTONIO NERI JUARBE, 1079 SANTANS 00612-661 (787) 878-2310 21616 2011 Family Practice/General Practice

BAYAMON

PEREZ-TORO, LUIS S. CLINICA DE MEDICINA PREVENTIVA, 73 SANTA CRUZ ST SUITE 314 00961- (787) 787-0171 21514 2006 Family Practice/General Practice

CAGUAS

P CORREA, JAVIER R. CENTRO GINECO OBSTETRICO DEL TURABO, W-3 MUNOZ MARIN AVE, MARIOLGA 00725- (787) 746-1945 21533 2006 Obstetrics/Gynecology

GUAYNABO

P SOTO, ANGEL LUIS MILLENNIUM PARK PLAZA #15 SECOND STREET SUITE 540 BOX 510 00968- (787) 708-6777 * 21502 2006 Family Practice/General Practice
 LORENZO PEREZ, CLAUDIO POLICLINICA MONSERRATE, #49 VALLE ESCONVIDO 00971- (787) 413-7540 21529 2006 Family Practice/General Practice
 P MARTINEZ, ENRIQUE R. CONSULTORIO MEDICO DR MARTINEZ, PO BOX 641 00970- (787) 602-6137 21468 2005 Occupational/Industrial Medicine

SAN JUAN

P FERRER JR, JOSE LUIS 611 PAVIA ST SUITE 103 00909- (787) 727-3745 21508 2006 Urology
 A P VELEZ ARCE, RAMON A ISLA GRANDE AIRPORT TERMINAL, PO BOX 361964 00936-1964 (787) 898-5530 * 15006 1977 Family Practice/General Practice
 P IRIZARRY, SAUL PMB 378 POST OFFICE BOX 70344 00936- (787) 403-7949 21584 2009 Family Practice/General Practice

VEGA BAJA

P TORRES-SANCHEZ, ANG CENTRO MEDICINA ALTERNATIVA, BRISAS DEL MAR, C/FARO #9 00693- (787) 858-0139 21597 2010 Family Practice/General Practice

YAUCO

P BURGOS-FERRER, GERMAN PO BOX 1983 ROAD 128 KM 3.5 SECTOR LOMA BONITA 00698- (787) 543-5769 21507 2006 Family Practice/General Practice

SOUTH CAROLINA

ABBEVILLE

ABBEVILLE

P TURNER, MICHAEL D ABBEVILLE UROLOGY, PO BOX 885 901 W. GREENWOOD ST STE 8-A 29620-0000 (864) 366-6060 18914 1983 Urology

ANDERSON

ANDERSON

P HUNT, JOHN R 5737 AIRPORT ROAD 29626-5705 (864) 225-5059 * 14942 1976 General Surgery

ANDREWS

GEORGETOWN

P JONES, B LEE ANDREWS MEDICAL CENTER, 701 S MORGAN AVE 29510-0000 (843) 264-5253 19295 1994 Family Practice/General Practice

BAMBERG

BAMBERG

P DWIGHT, F MARION BAMBERG FAMILY PRACTICE, 450 NORTH ST POB 120 29003-0120 (803) 245-5168 * 05636 1960 Family Practice/General Practice

BEAUFORT

BEAUFORT

BUSH, CHARLES A. 134 SPANISH PT. DRIVE 29902- (843) 524-7683 21585 2009 Family Practice/General Practice

SOUTH CAROLINA - (Cont.)

| | | | | | | | |
|-------------------------|-----------------------|--|----------------|---|-------|------|----------------------------------|
| CAMDEN | | KERSHAW | | | | | |
| P | DUBOSE III, JOHN B | 1344 HAILE STREET 29020-3076 | (803) 432-1996 | * | 14963 | 1976 | Internal Medicine |
| CHERAW | | CHESTERFIELD | | | | | |
| P | NEWSOM, JOSEPH K | CHERAW FAMILY MEDICINE, 710 CHESTERFIELD RD PO BOX 809 29520-0809 | (843) 537-2171 | | 08906 | 1963 | Family Practice/General Practice |
| COLUMBIA | | RICHLAND | | | | | |
| | HARTVIGSEN, ROBERT E | HARTVIGSEN FAMILY MEDICINE, 115 BLARNEY DRIVE 29223- | (803) 736-0731 | | 21394 | 2003 | Family Practice/General Practice |
| P | BORUCKI, ROBERT B | AEROMED, LLC, 5115 FOREST DRIVE SUITE E 29206-0000 | (803) 661-9519 | * | 21165 | 1997 | Family Practice/General Practice |
| | HEGQUIST, MITCHELL H | 1715 BLANDING ST 29201-2402 | (803) 799-3926 | * | 19070 | 1986 | Occupational/Industrial Medicine |
| CONWAY | | HORRY | | | | | |
| P | HUGHES III, JAMES C | ASSOCIATES IN SURGERY, 2361 CYPRESS CIRCLE 29527- | (843) 869-2340 | * | 11979 | 1971 | General Surgery |
| DANIEL ISLAND | | BERKELEY | | | | | |
| | LEVIN, JULIAN C | 900 ISLAND PARK DR SUITE 105 29492- | (843) 425-0606 | * | 50346 | 2000 | Aerospace Medicine |
| DUNCAN | | SPARTANBURG | | | | | |
| | KUCABA, WALTER D. | FAMILY PHYSICIANS AT 290, 1575 EAST MAIN STREET 29334- | (864) 560-3500 | | 21583 | 2009 | Family Practice/General Practice |
| FLORENCE | | FLORENCE | | | | | |
| P | BOOTH, JOHN P | FLORENCE HEALTH CARE PA, 805 PAMPLICO HWY STE 315A 29505-0000 | (843) 679-4260 | * | 17929 | 1981 | Family Practice/General Practice |
| GARDEN CITY | | HORRY | | | | | |
| | TUREK, JAMES E | MED PLUS S. STRAND FAMILY PRACTICE, 2347 HWY 17 SOUTH 29576-0000 | (843) 357-2443 | * | 21322 | 2001 | Family Practice/General Practice |
| GREENVILLE | | GREENVILLE | | | | | |
| P | ECKSTEIN, WILLIAM L | PLASTIC SURGERY CLINIC, 2280 PERIMETER ROAD DONALDSON AIRPORT 29605- | (864) 277-8777 | * | 21172 | 2000 | Plastic Surgery |
| | KENDALL, THOMAS W | DRS KENDALL & KEMMERLIN PA, 1817 WOODRUFF RD 29607-0000 | (864) 234-7000 | * | 21410 | 2003 | Family Practice/General Practice |
| GREER | | GREENVILLE | | | | | |
| | ALDAY, MICHAEL A. | REG HLTH CTR WEST SIDE, 2755 S HIGHWAY 14, STE 1200-A 29650- | (864) 879-1948 | * | 21152 | 1997 | Occupational/Industrial Medicine |
| | LEIGH, JOHN H. | MOUNTAIN VIEW FAMILY PRACTICE, 406 MEMORIAL DRIVE EXT 29651- | (864) 877-9066 | | 21560 | 2008 | Family Practice/General Practice |
| LUGOFF | | KERSHAW | | | | | |
| P | BAXLEY, ELAINE B | DOCTOR'S CARE WATEREE, 1060 HIGHWAY 1 SOUTH 29078-0000 | (803) 438-9759 | * | 19375 | 1995 | Emergency Medicine |
| MOUNT PLEASANT | | CHARLESTON | | | | | |
| | HARGRAVE, RONALD P | 2701 TYBEE PASS 29466-0000 | (843) 881-3734 | * | 19387 | 1995 | Emergency Medicine |
| MYRTLE BEACH | | HORRY | | | | | |
| P | ERVIN, DANIEL M. | STRAND EAR NOSE & THROAT, 913 MEDICAL CIRCLE 29572-0000 | (843) 449-4541 | | 19214 | 1992 | Otorhinolaryngology |
| NORTH CHARLESTON | | CHARLESTON | | | | | |
| | CONNOLLY, JAMES F | ATLANTIC OCCUPATIONAL HEALTH, 3625 WEST MONTAGE AVE 29418-0000 | (843) 207-7130 | | 21239 | 2000 | General Surgery |
| ORANGEBURG | | ORANGEBURG | | | | | |
| P | ROSS, JOHN R | 795 COOK ROAD 29118- | (803) 533-7544 | | 17315 | 2005 | General Surgery |
| PAWLEYS ISLAND | | GEORGETOWN | | | | | |
| P | HARMON, GERALD E | WACCAMAW MEDICAL CENTER, 9699 OCEAN HIGHWAY PO BOX 289 29585-0000 | (843) 237-4296 | | 18970 | 1983 | Family Practice/General Practice |
| ROCK HILL | | YORK | | | | | |
| | JENKINS, MATTHEW D. | CAROLINA MEDICAL CONSULTANTS, 311 GLENWOOD DRIVE 29732- | (803) 366-7175 | * | 21461 | 2004 | Internal Medicine |
| SENECA | | OCONEE | | | | | |
| P | RAMPEY, STANLEY | SENECA MEDICAL ASSOCIATES, 11082 NORTH RADIO STATION ROAD 29678- | (864) 882-2314 | | 21617 | 2011 | Family Practice/General Practice |
| SHAW AFB | | SUMTER | | | | | |
| | FUNKE, BRYAN JAY | 20 MED GROUP/FLIGHT MEDICINE, 431 MEADOWLARK STREET 29152- | (803) 895-6746 | * | 21578 | 2009 | Aerospace Medicine |
| SIMPSONVILLE | | GREENVILLE | | | | | |
| | BURNETTE JR. J DUNCAI | 1409 WEST GEORGIA ROAD, SUITE B 29680-0000 | (864) 454-5000 | * | 15045 | 1977 | Family Practice/General Practice |
| | MOORE, JR., THOMAS W. | KEYSTONE FAMILY MEDICINE, 1409 WEST GEORGIA ROAD, SUITE B 29680- | (864) 454-5000 | | 21621 | 2012 | Family Practice/General Practice |

SOUTH CAROLINA - (Cont.)

| | | | | | | | |
|-----------------------|---|--------------------|-------|-------|----------------------------------|----------------------------------|--|
| SPARTANBURG | | SPARTANBURG | | | | | |
| EARLY, IRA G | UPSTATE OCC MED, 1241 BOILING SPRINGS RD 29303-000C | (864) 591-0992 | 21436 | 2003 | Occupational/Industrial Medicine | | |
| ALDAY, MICHAEL A. | REG HLTH CTR WEST SIDE, 8311 WARREN H. ABERNATHY HWY 29301-0000 | (864) 562-5102 | * | 21152 | 1997 | Occupational/Industrial Medicine | |
| P GLACE, CHARLES L | 2995 REIDVILLE ROAD SUITE 260 29301-0000 | (864) 574-2866 | * | 20424 | 1995 | Family Practice/General Practice | |
| SUMTER | | SUMTER | | | | | |
| DUBOSE, E MACDONALD | 240 CHURCH STREET 29150-4256 | (803) 773-4411 | * | 17178 | 1978 | Family Practice/General Practice | |
| TRAVELERS REST | | GREENVILLE | | | | | |
| P KING, FITZWILLIAM | FAMILY CARE CENTER, 406 N POINSETT HWY 29690-0000 | (864) 834-4151 | * | 12201 | 1974 | Family Practice/General Practice | |
| WEST COLUMBIA | | LEXINGTON | | | | | |
| P GRIGGS, ROGER K | LEXINGTON FAMILY PRACTICE, 3314 PLATT SPRINGS RD 29170-0000 | (803) 791-3494 | | 21231 | 1999 | Family Practice/General Practice | |
| DERDERIAN, SARKIS S | CAROLINA PULMONARY & CRITICAL CARE, LEXINGTON MEDICAL PARK TWO 146 NORTH HOSPITAL DRIVE, SUITE 400 29169- | (803) 256-0464 | | 21362 | 2002 | Pulmonary Medicine | |
| P YOUNG, FRANK W | CAROLINA AVIATION MEDICINE, 103 SALUDA RIDGE COURT 29169-0000 | (803) 791-0562 | * | 12205 | 1974 | Otorhinolaryngology | |
| WEST UNION | | OCONEE | | | | | |
| BOOKER, EDWARD H | GOLDEN CORNERS FAMILY PRACTICE, 1205 NORTH HWY 11 PO BOX 219 PO BOX 219 29696-0000 | (864) 638-5402 | | 17524 | 1981 | Family Practice/General Practice | |
| TENNESSEE | | | | | | | |
| ADAMSVILLE | | MCNAIRY | | | | | |
| P SMELSER, MICHAEL H | 345 HWY 64 E 38310- | (731) 632-3383 | | 21369 | 2002 | Internal Medicine | |
| ATHENS | | MCMINN | | | | | |
| P SHARPE, CHARLES R. | ATHENS MEDICAL GROUP, 1031 W MADISON AVE 37303-0000 | (423) 745-6575 | * | 21222 | 1999 | Internal Medicine | |
| BOLIVAR | | HARDEMAN | | | | | |
| P DUNAVANT, ROBERT W | 610 NUCKOLLS ROAD 38008-2621 | (731) 658-7111 | | 17271 | 1979 | Family Practice/General Practice | |
| BRENTWOOD | | WILLIAMSON | | | | | |
| WHITFIELD, THOMAS C. | BRENTWOOD PRIMARY CARE, 343 FRANKLIN RD STE 101 37027-5250 | (615) 377-3300 | * | 18950 | 1983 | Occupational/Industrial Medicine | |
| CHATTANOOGA | | HAMILTON | | | | | |
| HARTSFIELD, DONALD W | CHATTANOOGA FAMILY PRACTICE ASSOC INC., 961 SPRING CREEK RD 37412-0000 | (423) 892-2221 | * | 19388 | 1995 | Family Practice/General Practice | |
| RYAN, EUGENE H | DIAGNOSTIC CENTER, 2205 MC CALLIE AVE 37404-0000 | (423) 698-2435 | | 21156 | 1997 | Internal Medicine | |
| P POMERANCE, GLENN N | POMERANCE EYE CENTER, P.C., 2030 HAMILTON PLACE BLVD CBL CENTER - SUITE 140 37421-6039 | (423) 855-6800 | | 21168 | 1997 | Ophthalmology | |
| P DONOWITZ, ARLENE J | MEMORIAL PLAZA, 605 GLENWOOD DR STE 404 37404-0000 | (423) 629-7220 | * | 19183 | 1991 | Internal Medicine | |
| CLOSE, DAVID K. | CHATTANOOGA FAMILY PRACTICE ASSOC. INC., 961 SPRING CREEK RD 37412-0000 | (423) 892-2221 | | 19378 | 1995 | Family Practice/General Practice | |
| P WORTHINGTON, JULIAN | UNIV OF TN, DEPT OF FAMILY MEDICINE, 1100 EAST THIRD ST 37403-0000 | (423) 778-2957 | | 19372 | 1995 | Family Practice/General Practice | |
| CLARKSVILLE | | MONTGOMERY | | | | | |
| KENT, STEPHEN W | DOCTORS CARE, 2320 WILMA RUDOLPH BLVD 37040-0000 | (931) 645-1564 | | 20455 | 1996 | Occupational/Industrial Medicine | |
| HUFFMAN, DONALD W | PREMIER MEDICAL GROUP, 2831 WILMA RUDOLPH BLVD POST OFFICE BOX 3799 37043-0000 | (931) 245-8687 | * | 21388 | 2002 | Family Practice/General Practice | |
| CLEVELAND | | BRADLEY | | | | | |
| ROBINSON, DONALD E. | 1860 EXECUTIVE PARK PLACE SUITE B 37312- | (423) 476-7584 | | 21575 | 2009 | Internal Medicine | |
| COLUMBIA | | MAURY | | | | | |
| KENNEDY, R. DOUG | COLUMBIA MEDICAL GROUP AT CREEKSIDE, 1040 N. JAMES CAMPBELL BLVD., STC 107 SUITE 301 38401- | (931) 388-8802 | | 21451 | 2004 | Family Practice/General Practice | |
| COOKEVILLE | | PUTNAM | | | | | |
| HUDSON, TONEY B | OCCUPATIONAL HEALTH SERVICES, 315 N WASHINGTON AVE STE 165 38501-0000 | (931) 526-1604 | * | 21237 | 1999 | Internal Medicine | |
| CROSSVILLE | | CUMBERLAND | | | | | |
| CARLTON, STACEY B | 1645 SOUTH MAIN ST STE 101 38555-0000 | (931) 484-7531 | | 21332 | 2002 | Family Practice/General Practice | |
| ELIZABETHTON | | CARTER | | | | | |
| P PERRY, EDGAR E | 401 HUDSON DR, STE 3 37643-0000 | (423) 543-2721 | * | 11812 | 1968 | Family Practice/General Practice | |
| FAYETTEVILLE | | LINCOLN | | | | | |
| RALSTON JR., JOSEPH F | FAYETTEVILLE MEDICAL ASSOC, 207 SOUTH ELK AVE 37334-0000 | (931) 433-2551 | | 19093 | 1987 | Internal Medicine | |

TENNESSEE - (Cont.)

| | | | | | |
|------------------------|---|-------------------|-------|-------|---------------------------------------|
| GERMANTOWN | | SHELBY | | | |
| P HUTCHISON, TIMOTHY N | AVIATION PHYSICALS, 8573 CORDES CIRCLE 38139- | (901) 754-6733 | 21607 | 2011 | Anesthesiology |
| OTTEN, DANIEL E. | STERN CARDIOVASCULAR CENTER, 8060 WOLF RIVER BOULEVARD 38138- | (901) 271-2188 | 21596 | 2010 | Internal Medicine |
| VINCENT, J ROBERT | AVIATION MED SPECIALISTS, 8571 CORDES CIRCLE 38139-0000 | (901) 754-6733 | * | 02806 | 1959 Plastic Surgery |
| BOCK, GERALD W. | AVIATION MEDICAL SPECIALISTS, 8573 CORDES CIRCLE 38139-0000 | (901) 754-6733 | * | 21133 | 1997 Family Practice/General Practice |
| HENDERSONVILLE | | SUMNER | | | |
| P CHAFFIN, G SUMMERS | 107 GLEN OAK COURT BLVD. STE 201 37075-0000 | (615) 822-0725 | * | 17712 | 1980 Family Practice/General Practice |
| BOLLIG, STEPHEN L | 625 E MAIN ST STE 4 37075-0000 | (615) 826-3121 | | 18299 | 1985 Family Practice/General Practice |
| HERMITAGE | | DAVIDSON | | | |
| MERTENS, MICHAEL J. | SUMMIT MEDICAL ASSOCIATES, 5045 OLD HICKORY BLVD 37076- | (615) 883-6545 | | 21522 | 2006 Family Practice/General Practice |
| DEMIRJIAN, KENNETH A. | SUMMIT MEDICAL ASSOCIATES, 5045 OLD HICKORY BLVD STE 200 37076- | (615) 883-6545 | * | 21179 | 1997 Family Practice/General Practice |
| BELL-WILLIS, ANDREA R. | WILLIS FAMILY MEDICAL CENTER P.C., 3441 LEBANON PIKE STE 101 37076-0000 | (615) 316-5662 | | 21571 | 2008 Family Practice/General Practice |
| P FRIDDELL, THOMAS J | SUMMIT MEDICAL ASSOCIATES, 5045 OLD HICKORY BLVD STE 200 37076- | (615) 883-6545 | * | 11827 | 1968 Family Practice/General Practice |
| HUNTINGDON | | CARROLL | | | |
| P PORTIS, BILL S | BAPTIST MEMORIAL HOSP, HUNTINGDON ER DEPT 631 RB WILSON DR 38344-0000 | (731) 986-9747 | | 14915 | 1976 Family Practice/General Practice |
| JACKSON | | MADISON | | | |
| P PALMER JR, EDMUND T | UNIV OF TN FMLY MED CLNC, 294 SUMMAR DR 38301-3983 | (731) 423-1932 | * | 17451 | 1980 Internal Medicine |
| JOHNSON CITY | | WASHINGTON | | | |
| BISHOP, MARILYN A | MEDWORKS, 200 MED TECH PKWY, SUITE 108 37604-0000 | (423) 915-5033 | * | 21433 | 2003 Occupational/Industrial Medicine |
| KINGSPORT | | SULLIVAN | | | |
| BREEDING, SAMUEL D | HOLSTON MEDICAL GROUP, 105 W. STONE DR. STE 1J 37660-4820 | (423) 245-0166 | * | 19052 | 1985 Occupational/Industrial Medicine |
| KNOXVILLE | | KNOX | | | |
| P ROBERTS, ANNE S | UNIVERSITY FAMILY PHYSICIANS, 1924 ALCOA HWY 37920-0000 | (865) 305-8831 | * | 15156 | 1999 Aerospace Medicine |
| DAVIS, LARRY E | UNIVERSITY FAMILY PHYSICIANS, 1924 ALCOA HIGHWAY 37920-0000 | (865) 305-8831 | * | 17065 | 1995 Family Practice/General Practice |
| CHEN, CHANG WEN | CONCORD FAMILY PRACTICE, 10430 LOVELL CENTER DR 37922-0000 | (865) 693-6620 | * | 21420 | 2003 Family Practice/General Practice |
| P KEEBLE, DONALD S | UNIVERSITY FAMILY PHYSICIANS, 1924 ALCOA HWY 37920-0000 | (865) 305-8831 | * | 19392 | 1995 Family Practice/General Practice |
| BLAKE, GREGORY H. | DEPARTM LENT OF FAMILY MEDICINE, 1924 ALCOA HWY, U-67 37920- | (865) 305-8831 | | 21600 | 2010 Family Practice/General Practice |
| STOCKTON, M DAVID | UNIVERSITY FAMILY PHYSICIANS, 1924 ALCOA HWY 37920-0000 | (865) 305-8831 | * | 20416 | 1995 Family Practice/General Practice |
| LAFOLLETTE | | CAMPBELL | | | |
| BURRELL, JOHN S | COMMUNITY HEALTH CLINIC, 502 W CENTRAL AVE 37766-0000 | (423) 562-1705 | * | 09195 | 1967 Family Practice/General Practice |
| LAWRENCEBURG | | LAWRENCE | | | |
| P BOYD, MICHAEL A | FAMILY HEALTH PROF CTR, 1240 FIRST AVENUE 38464-0000 | (931) 762-2332 | | 19225 | 1992 General Surgery |
| LEBANON | | WILSON | | | |
| JOHNSON, ROY P | MIDDLE TN OCCUP & ENVIRO MED, 936 MURFREESBORO RD 37090-0000 | (615) 443-1744 | | 21241 | 2001 Occupational/Industrial Medicine |
| LEXINGTON | | HENDERSON | | | |
| WHITE JR, CHARLES W | FAMILY PHYSICIANS OF LEXINGTON, 250 BOSWELL ST 38351- | (731) 968-2006 | | 21341 | 2004 Family Practice/General Practice |
| LIVINGSTON | | OVERTON | | | |
| P GASPAR, MATTHEW J | 529 MEDICAL DR 38570-0000 | (931) 403-1710 | | 06705 | 2002 Family Practice/General Practice |
| LOUDON | | LOUDON | | | |
| P STIMPSON, PETER G | THE MEDICAL CENTER, 901 GROVE ST 37774-0000 | (865) 458-4647 | * | 14891 | 1975 Family Practice/General Practice |
| MANCHESTER | | COFFEE | | | |
| P HOLLINS, BILL B | 1239 MC ARTHUR STREET 37355-0000 | (931) 728-5888 | | 17468 | 1981 Internal Medicine |
| MARYVILLE | | BLOUNT | | | |
| GIBSON, ERNEST R | BAPTIST PRIMARY CARE CENTER, 129 MONTGOMERY LANE 37803-0000 | (865) 681-1224 | * | 19238 | 1992 Family Practice/General Practice |

TENNESSEE - (Cont.)

| | | | | | | | | |
|-----------------------|-----------------------|--|------------------|---------|------|----------------------------------|--|--|
| MEMPHIS | | SHELBY | | | | | | |
| | WEISS, MARTIN J. | INTERNAL MEDICINE & CARDIOLOGY, 6025 WALNUT GROVE RD STE 627 38120- | (901) 763-1695 | 21454 | 2004 | Internal Medicine | | |
| P | LANDRIGAN, JOHN W | 5715 EAST SHELBY DRIVE 38141- | (901) 362-7546 * | 15030 | 1977 | Obstetrics/Gynecology | | |
| P | FERNANDEZ, JULIUS | SEMMES-MURPHEY CLINIC, 6325 HUMPHREYS BLVD. 38120- | (901) 522-7700 | 21520 | 2006 | Neurosurgery | | |
| | O'CAIN, DEBBIE T | SOUTHWIND MEDICAL SPECIALISTS, 3725 CHAMPION HILLS DR #2000 38125- | (901) 367-9001 | 21491 | 2005 | Family Practice/General Practice | | |
| P | SCHLESINGER, VICTOR / | 6005 PARK AVENUE SUITE 908 38119-5219 | (901) 761-2170 | 15047 | 1978 | Otorhinolaryngology | | |
| P | LAUGHLIN JR, ALBERT E | MEMPHIS SURGERY ASSOC, 6029 WALNUT GROVE, STE 404 38120- | (901) 726-1056 * | 14862 | 1975 | General Surgery | | |
| P | LANDRIGAN, JOHN W | 3445 MACON RD 38122-0000 | (901) 323-4809 * | 15030 | 1977 | Obstetrics/Gynecology | | |
| MORRISTOWN | | HAMBLEN | | | | | | |
| P | PEREZ, IVAN C | WESTIN CLINIC, P. C., 709 MCFARLAND STREET 37814-0000 | (423) 587-2596 * | 20441 | 1996 | Neurology | | |
| MUNFORD | | TIPTON | | | | | | |
| P | MAY, JEFFERY A | MAY MEDICAL GROUP, 99 DOCTOR'S DR STE 700 38058-0000 | (901) 837-7200 * | 19237 | 1992 | Family Practice/General Practice | | |
| MURFREESBORO | | RUTHERFORD | | | | | | |
| | OURS, DAVID E. | 1027 N HIGHLAND 37130-0000 | (615) 895-2527 | 19153 | 1990 | Family Practice/General Practice | | |
| | CLARK, ERIC W. | MIDDLE TENNESSEE STATE UNIVERSITY, STUDENT HEALTH SERVICES PO BOX 237 37132- | (615) 898-2988 * | 21472 | 2005 | Family Practice/General Practice | | |
| NASHVILLE | | DAVIDSON | | | | | | |
| P | SMITH, CHARLIE R | 2821 LEBANON ROAD SUITE 103 37214-0000 | (615) 889-5594 * | 11844 | 1969 | Ophthalmology | | |
| | GUENST, JOHN M. | ST. THOMAS MEDICAL GROUP, 4230 HARDING ROAD, SUITE 400 37205- | (615) 297-2700 | 21586 | 2010 | Internal Medicine | | |
| | HOLLINGER, BRUCE | NASHVILLE MEDICAL GROUP, 300 20TH AVENUE, NORTH 37203- | (615) 284-1400 | 21606 | 2011 | Internal Medicine | | |
| NEWPORT | | COCKE | | | | | | |
| P | HOOD, MICHAEL T | FAMILY PRACTICE CENTER, 407 FOURTH ST 37821-0000 | (423) 623-6240 | 19360 | 1995 | Family Practice/General Practice | | |
| RUTLEDGE | | GRAINGER | | | | | | |
| | DUCK, DENNIS H | RUTLEDGE HEALTH CTR, PO BOX 700, 8731 RUTLEDGE PIKE 37861-0000 | (865) 828-5595 | 19273 | 1993 | Internal Medicine | | |
| SEVIERVILLE | | SEVIER | | | | | | |
| | LITTLETON, ERIC J | GREAT SMOKIES FAMILY MEDICINE, 744 MIDDLE CREEK RD, SUITE 108 37862-0000 | (865) 446-9500 | 21229 | 2000 | Family Practice/General Practice | | |
| SMYRNA | | RUTHERFORD | | | | | | |
| P | BYRNES, JOHN M | 115 ENON SPRINGS RD 37167-0000 | (615) 459-0005 * | 19091 | 1987 | Internal Medicine | | |
| VONORE | | MONROE | | | | | | |
| | CALLAN, DANIEL J | BLOUNT MEMORIAL OCCUPATIONAL HEALTH CENTER, 110 DEER CROSSING 37885- | (423) 884-1924 | 17726 | 2008 | Family Practice/General Practice | | |
| VIRGIN ISLANDS | | | | | | | | |
| CHRISTIANSTED | | | | | | | | |
| | CHRISTIAN, CORA L E | 1 ESTATE HOPE 00852- | | * 14968 | 1976 | Family Practice/General Practice | | |
| ST CROIX | | | | | | | | |
| | CHRISTIAN, CORA L E | 40 EG LA GRANGE FREDERIKSTED PO BOX 1338 00841-133E | (340) 772-3665 * | 14968 | 1976 | Family Practice/General Practice | | |
| ST THOMAS | | | | | | | | |
| P | HEATH, ALFRED O | MEDICAL ARTS COMPLEX, 201 E ALTONA & WELGUNST CHARLOTTE AMALIE 00801-0000 | (340) 774-3538 * | 15034 | 1977 | General Surgery | | |
| P | SHAPIRO, ADAM M | VIRGIN ISLANDS EAR, NOSE & THROAT, PARAGON MEDICAL BLDG 9149 ESTATE THOMAS, STE 308 00802-0000 | (340) 774-8881 * | 20239 | 2003 | Otorhinolaryngology | | |
| ST. THOMAS | | | | | | | | |
| P | SMOLARZ, JOSEPH RYAN | VIRGIN ISLANDS EAR, NOSE & THROAT, 9149 ESTATE THOMAS, SUITE 308 00802- | (340) 774-8881 | 21620 | 2011 | Otorhinolaryngology | | |