

## **INTRODUCTORY NOTE**

This directory contains the names and addresses of physicians who are authorized to perform physical examinations and issue airman medical certificates for the Administrator of the Federal Aviation Administration. This 2010 edition follows the same format as previous editions, and contains updated Aviation Medical Examiner information compiled through Feb. 08, 2010. All International Aviation Medical Examiners (AMEs) are authorized to conduct airman physical examinations for First, Second, and Third Class Medical Certificates. In compliance with the provisions of Part 61 (13a) and Part 67 (Subpart A-67.12) of the Federal Aviation Regulations, International AMEs are not authorized to issue a combined Airman Medical and Student Pilot Certificate (FAA Form 8420-2) to a person who is neither a citizen nor a permanent resident of the United States. If an International AME sees a non U.S. citizen/resident alien who intends to come to the United States to learn to fly, the AME can perform a physical examination (Class I, II, or III) in order to determine if the applicant meets the aviation medical certification standards. If the applicant meets the standards, the International AME can issue a Medical Certificate (FAA Form 8500-9); however, he/she is not authorized to issue the Combined Medical and Student Pilot Certificate (FAA Form 8420-2).

Part 61 of the Code of Federal Regulations (Title 14) describes the various types of airman medical certificates issued by the FAA.

Part 67 of the Code of Federal Regulations (Title 14) describes the medical certification standards and certification procedures for airman medical certification.

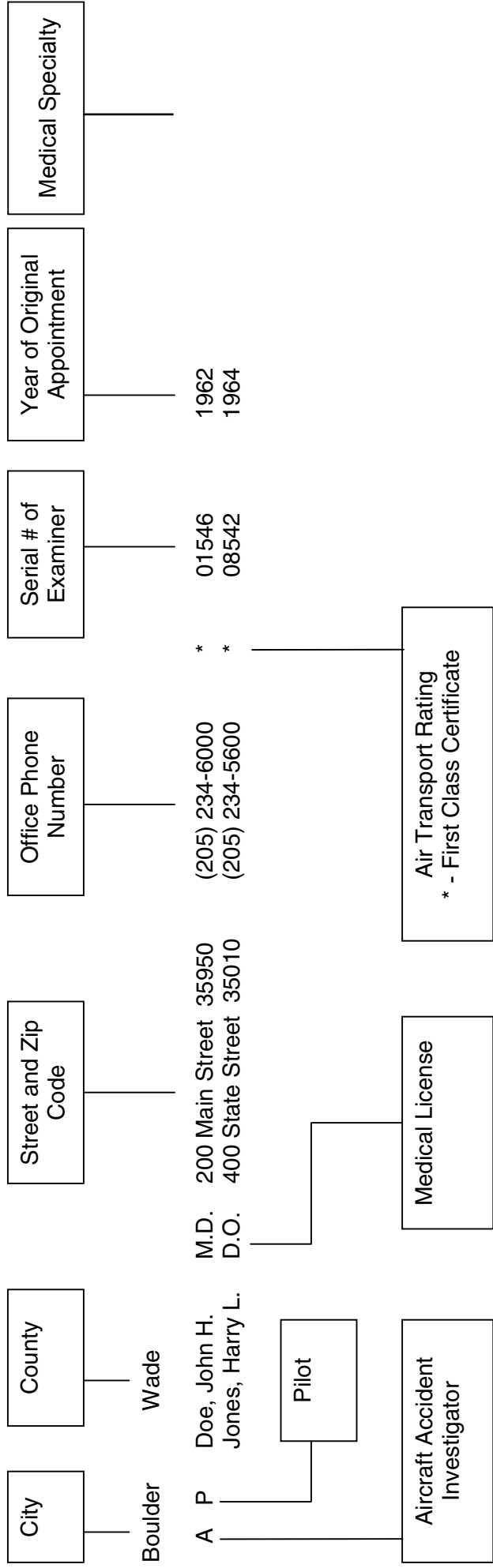
International physicians interested in obtaining designation as an FAA AME should request application forms from the FAA Regional Flight Surgeon.

## **INTERNATIONAL REGION**

Richard F. Jones, M.D.  
Manager, Aerospace Medical Education Division  
FAA, MMAC, CAMI, AAM-400  
P.O. Box 25082  
Oklahoma City, Oklahoma 73125-9944  
Telephone (405) 954-4832  
FAX (405) 954-8016  
e-mail: Richard.F.Jones@FAA.GOV

Appointments are based on the needs of the United States Government.

**FORMAT OF AVIATION MEDICAL EXAMINER DIRECTORY**



**You should make requests for changes or Corrections to your Regional Flight Surgeon.**

**ANTIGUA****SAINT JOHNS**

WILLIAMS, RODNEY E L LONG ST PO BOX 753 2684622156 \* 15718 1982 Family Practice/General Practice

**ARGENTINA****BUENOS AIRES**

KELLY, RAUL M 1631 JUNIN 2ND FL APT C 1113 541148034331 \* 15644 1978 Family Practice/General Practice

**ARUBA****SAN NICOLAAS**

BODERIE, EUGENIUS J M B V D VEEN ZEPPENFELDTSTRAA 51 PO BOX 2157 2975845155 \* 15738 1983 Family Practice/General Practice

**AUSTRALIA****DUNCRAIG**

LANEY, JOHN FRANCIS 3 TANDY COURT 6023 0892464009 \* 15831 1989 Family Practice/General Practice

**FRENCHS FOREST NSW**

P MACLARN, GRAEME D PO BOX 82 1640 0419975660 \* 01580 1991 Aerospace Medicine

**NOWRA, NSW**

LAWSON, PETER M THE WORRIGEE MEDICAL CENTRE, 59 WORRIGEE ST 2540 0244241396 \* 01439 1990 Family Practice/General Practice

**PEREGIAN SPRINGS Q**

P PARKER, HEATHER M PEREGIAN SPRINGS DOCTORS, LEVEL 1 PEREGIAN SPRINGS SHOPPING CENTRE HAVANA RD WEST 4573 61754768411 \* 03200 2000 Aerospace Medicine

**QUEENSLAND**

CHAFFEY, GREIG P QUEENSLAND AVN MED CTR, 585 OLD CLEVELAND RD CAMP HILL 4152 61733988177 \* 03125 1999 Family Practice/General Practice

**ROSE BAY NSW 2029**

MITCHELL, ROBIN A. BOX 9 21 PLUMER RD 2029 061293447122 \* 15708 1981 Aerospace Medicine

**AUSTRIA****GRAZ**

P AUER, THOMAS KOERBLERGASSE 42 - SANATORIUM HANSA A8010 4331636000 \* 03172 1999 Aerospace Medicine

**INNSBRUCK**

P WYKYPIEL, HEINZ F ANDREAS HOFERSTR 4-4 A 6020 512282511 \* 15612 1977 Aerospace Medicine  
 WYKYPIEL JR, HEINZ F. H UNIV. HOSPITAL OF INNSBRUCK, DEPT OF SURGERY ANICHSTRASSE #35 A6020 43512574384 \* 03263 2003 General Surgery

**SALZBURG**

P KOPP, MICHAEL F 10A FUERSTENALLEE A5020 43662834256 \* 01585 1991 Radiology

**VIENNA**

P HUSEK, CHRISTIAN W. RUDOLF ZELLER-GASSE 4-8/2/2 A1230 4318898181 \* 02899 1994 Family Practice/General Practice  
 P SCHOBER, BERNHARD 1210 WEIN FREYTAGASSE 6 A1210 4312713328 \* 02636 1993 Aerospace Medicine  
 P STIEDL, JOHANNES DOEBLINGER HAUPTSTRASSE 95 A1190 4313692194 \* 02609 1992 Family Practice/General Practice

**BAHAMAS****FREEPORT**

P CLEMENT, R. JOHN IMMUNOLOGY RESEARCH CENTRE, PO BOX 42617 2423527455 \* 02887 1994 Family Practice/General Practice

**NASSAU**

INGRAHAM, MICHAEL J HARBOUR BAY SHOPPING PLAZA, E BAY ST IN THE GNC STORE LYFORD CAY PO BOX N7776 2423948866 \* 03238 2001 Family Practice/General Practice  
 HANNA-HENNIS, CHERIL CHESAPEAKE COMPREHENSIVE CARE, 46 JEROME AVENUE PO BOX SP-60604 2423948714 \* 03239 2001 Internal Medicine

**BAHRAIN**

**BAHRAIN - (Cont.)****MANAMA**

P	AL TARAIF, JAFFAR A	IBN ALNAFEES HOSPITAL, PO BOX 54533 BLDG 63 ROAD 3302 333	973828203	*	15815	1988	Aerospace Medicine
	AL SAFAR, NADER AHME	MEDICAL CARE CENTRE, PO BOX 20264	1097317710066	*	02627	1992	Aerospace Medicine

**BELGIUM****ANTWERPEN**

P	VERTENTEN, ERIK O	FRUITHOFLAAN 122/113 B2600	3234482131	*	02886	1994	Internal Medicine
---	-------------------	----------------------------	------------	---	-------	------	-------------------

**CHARLEROI**

P	DELFORGE, MARC R.	BOULEVARD JOSEPH II NO. 2/6 B6000	3271304860	*	03028	1997	Internal Medicine
---	-------------------	-----------------------------------	------------	---	-------	------	-------------------

**HALLE**

	VANDENBOSCH, PAUL	LORIESSTRAAT, 44 B 1500	3223564029	*	02961	1996	Aerospace Medicine
--	-------------------	-------------------------	------------	---	-------	------	--------------------

**KEERBERGEN**

	LECHAT, ANN MARIE	HAACHTSEBAAN 150A 3140	003215513834	*	03475	2009	Aerospace Medicine
--	-------------------	------------------------	--------------	---	-------	------	--------------------

**KORTENBERG**

P	DE VUSSER, MARC J	WIPSTRAAT 19 B3070	3227595121	*	15714	1982	Occupational/Industrial Medicine
---	-------------------	--------------------	------------	---	-------	------	----------------------------------

**ZAVENTEM**

	MEURIS, BRIGITTE C	SABENA FLIGHT ACADEMY, MEDICAL DEPT BLDG 26 BRUSSEL NAT'L AIRPORT 1930	3224162274	*	02997	1997	Aerospace Medicine
--	--------------------	---	------------	---	-------	------	--------------------

**BERMUDA****ST GEORGE'S**

	HOEFERT, MONICA E	13 WATER ST GEBX	4412970068	*	03349	2005	Family Practice/General Practice
--	-------------------	------------------	------------	---	-------	------	----------------------------------

**BRAZIL****RIO DE JANEIRO**

	SUTMOLLER, FRITS	RUA VISCONDE DE PIRAJA 414/ RM 801-2 IPANEMA 22410002	552125212232	*	01455	1991	Family Practice/General Practice
--	------------------	--	--------------	---	-------	------	----------------------------------

**SAO PAULO**

	MELHADO, VANIA E. R.	CENTRO MEDICO SANTA ISABEL, RUA DONA VERIDIANA #311 -2 ANDAR 01238010	1121767792	*	03182	1999	Internal Medicine
--	----------------------	--	------------	---	-------	------	-------------------

**BRITISH WST INDIES****TURKS & CAICOS ISLANDS**

P	SLATTERY, SIMON (SAM)	INTERISLAND MEDICAL SERVICES, PROVIDENCIALES 000000000	6499415252	*	03202	2000	Family Practice/General Practice
---	-----------------------	---	------------	---	-------	------	----------------------------------

**BURKINA****OUAGADOUGOU**

	MININGOU, SOLI D.	01 BP 5245	22650376086	*	01351	2010	Family Practice/General Practice
--	-------------------	------------	-------------	---	-------	------	----------------------------------

**CAMEROON****DOUALA**

	TZEUTON, CHRISTIAN	529 AVENUES DES PALMIERS PO BOX 12663	23733425572	*	02985	1997	Gastroenterology
--	--------------------	---------------------------------------	-------------	---	-------	------	------------------

**CANADA****ANMORE BC**

P	SEDERGREEN, CHRISTO	171 WYNDHAM CRESCENT V3H4X9	6044613899	*	02645	1993	Family Practice/General Practice
---	---------------------	-----------------------------	------------	---	-------	------	----------------------------------

**CALGARY, ALBERTA**

P	HELLEUR, KATHERINE A	STE 105A 5621 11 ST NE T2E6Z7	4032757705	*	03243	2002	Family Practice/General Practice
---	----------------------	-------------------------------	------------	---	-------	------	----------------------------------

**CANADA - (Cont.)****CALGARY, ALBERTA**

P	GEOGHEGAN, MICHAEL J	THE DOCTOR'S OFFICE, UNIT 104 MARKET MALL PROF BLDG 4935, 40 AVE NW T3A 2N1	4032472253	*	02625	1992	Anesthesiology
	LYNCH, ANTHONY	FOOTHILLS HEALTH CONSULTANTS, DEPARTURES LEVEL PO BOX 180 2000 AIRPORT RD NE T2E6W5	4035032060	*	03179	1999	Occupational/Industrial Medicine
	LYNCH, ANTHONY	FOOTHILLS HEALTH CONSULTANTS, 510 444 5 AVE SW T2P 2T8	4037208005	*	03179	1999	Occupational/Industrial Medicine

**DORVAL, QUEBEC**

	PERLMAN, ROBERT J	1405 TRANS CANADA HWY # 120 H9P2V9	5146837877	*	02605	1992	Family Practice/General Practice
--	-------------------	------------------------------------	------------	---	-------	------	----------------------------------

**KELOWNA, BC**

P	JOHNSTON, TERRY G	5655 AIRPORT WAY V1V1S1	2508075372	*	03229	2001	Family Practice/General Practice
---	-------------------	-------------------------	------------	---	-------	------	----------------------------------

**MAPLE, ONTARIO**

P	GILLMORE, TREVOR A.	2316 MAJOR MACKENZIE DR L6A 1W6	9058322010	*	03329	2005	Aerospace Medicine
---	---------------------	---------------------------------	------------	---	-------	------	--------------------

**MARKHAM, ONTARIO**

P	GILLMORE, TREVOR A.	2833 16TH AVE L3R0P8	9054778100	*	03329	2005	Aerospace Medicine
---	---------------------	----------------------	------------	---	-------	------	--------------------

**MONTREAL, QUEBEC**

	THERIAULT, ANNE M. M.	4134 OLD ORCHARD H4A3B2	5144845390	*	03027	1997	Family Practice/General Practice
--	-----------------------	-------------------------	------------	---	-------	------	----------------------------------

**OKOTOKS, ALBERTA**

	JAMES, SIMON T	PO BOX 546 203 15 MCRAE ST T1S1A7	4039383860	*	01444	1991	Family Practice/General Practice
--	----------------	-----------------------------------	------------	---	-------	------	----------------------------------

**OTTAWA ON**

P	HILBORN, DAVID J	2430 BANK ST UNIT 3 K1V0T7	6132242244	*	15762	1984	Family Practice/General Practice
---	------------------	----------------------------	------------	---	-------	------	----------------------------------

**RICHMOND, B C**

	REMPEL, GERALD W	BOX 300-4440 STARK ST V7B1A1	6042701370	*	02610	1992	Aerospace Medicine
--	------------------	------------------------------	------------	---	-------	------	--------------------

	ADAMS, NIGEL J	ULTIMA YVR SOUTH, 300-4440 STARK STREET V7B1A1	6042701370	*	03191	1999	Aerospace Medicine
--	----------------	--	------------	---	-------	------	--------------------

**RICHMOND, BC**

	LERMER, ABBA BRAM	ULTIMA YVR SO MEDICAL CLINIC, 300 - 4440 STARK RD V7E 1A1	6042701370	*	03418	2007	Family Practice/General Practice
--	-------------------	--	------------	---	-------	------	----------------------------------

**SIDNEY, B C**

P	PETTIT, DAVID D	11432 CHALET RD V8L5L9	2506563169	*	15617	1977	Aerospace Medicine
---	-----------------	------------------------	------------	---	-------	------	--------------------

**ST CATHARINES, ONTARIO**

	LORENZEN, DAVID I	7 GENEVA ST L2R4M2	9056857688	*	15836	1989	Aerospace Medicine
--	-------------------	--------------------	------------	---	-------	------	--------------------

**TORONTO ONTARIO**

	KNIPPING, RANDOLPH P	230 BROWN'S LINE M9C5N2	4162539769	*	15848	1990	Aerospace Medicine
--	----------------------	-------------------------	------------	---	-------	------	--------------------

**CAYMAN ISLANDS****GEORGETOWN, GRAND CAYMAN**

A	P	GLATZ, FRANK R	#2 ALEXANDER PL DORSEY DR PO BOX 31912 SEVEN MILE BEACH	3459498150	*	14859	1975	Otorhinolaryngology
---	---	----------------	--	------------	---	-------	------	---------------------

**CHANNEL ISLES****ST. HELIER, JERSEY**

P	ROSSER, MICHAEL J	LISTER HOUSE SURGERY, THE PARADE JE23QQ	441534863916	*	03256	2002	Aerospace Medicine
---	-------------------	---	--------------	---	-------	------	--------------------

**COLOMBIA****BOGOTA**

P	GRACIA, ORLANDO	CLLE 134 #9B-83 OF 1008	573002706050	*	15682	1980	Family Practice/General Practice
---	-----------------	-------------------------	--------------	---	-------	------	----------------------------------

P	MERA, EDUARDO	CALLE 83 NO. 19-36 OFFICE 606	5716161019	*	02633	1992	Aerospace Medicine
---	---------------	-------------------------------	------------	---	-------	------	--------------------

**CALI**

	COBO, FRANCISCO	CENTRO MEDICO SAN JOSE, CARRERA 30 #7-09 OFICINA 304	5725568089	*	15799	1986	Aerospace Medicine
--	-----------------	---	------------	---	-------	------	--------------------

**MEDELLIN**

	BOTERO, OSCAR	CENTRO MEDICO COLSEGUROS CALLE 38 #63-70	5742651415	*	02878	1993	General Surgery
--	---------------	--	------------	---	-------	------	-----------------

**CONGO**

**CONGO - (Cont.)****KINSHASA**

MBUY TAMUNDEL, VALEI MEDICAL DEPT-L.A.C., B.P. 10.120 AEROPORT DE N'DJILI 432366020938 \* 15658 1979 Aerospace Medicine  
10.120

**COSTA RICA****HEREDIA**

ARCE-RODRIGUEZ, LUIS CLINICA MEDICA HEREDIANA, STREET #1 AVE 8-10 5062375912 \* 03127 1999 Otorhinolaryngology

**SAN JOSE**

P FERRIS, RANDALL PO BOX 999-1000 1250 5062281206 \* 04108 1954 General Surgery

**TIBAS, SAN JOSE**

GARCIA, LUIS EDUARDO PO BOX 292-1100 50688405430 \* 03087 1999 Hematology/Oncology

**CYPRUS****NICOSIA**

TIMOTHY, ANDREAS M 19 LOUKI AKRITA AVE 3572780343 \* 02640 1993 Dermatology

**CZECH REPUBLIC****PRAGUE**

RADA, MIROSLAV A INSTITUTE OF AVN MEDICINE, GEN PIKY 1 PO BOX 19 420220212497 \* 03196 2000 Aerospace Medicine  
16060

**PRAGUE 6**

P CHALOUPKA, JOSEF INSTITUTE OF AVN MEDICINE, INTERNAL MEDICINE DEPT 420220212457 \* 03048 1998 Aerospace Medicine  
PO BOX 19 16060

**DENMARK****2100 COPENHAGEN**

TANGOE, MOGENS CLINIC OF AVIATION MEDICINE, DEPT 7522 4535457533 \* 03195 2000 Internal Medicine  
RIGSHOSPITALET BELGDAMSVEJ 9 2100

**DOMINICAN REPUBLIC****SANTO DOMINGO**

BOURNIGAL, DOUGLAS F HOSPITEN 2ND FLOOR, BOLIVAR & ALMA MATER PO BOX 8093810105 \* 03488 2009 Internal Medicine  
3517

LORA, RAFAEL E SERVICIOS AEREOS PROFESIONALES, JOAQUIN 8093500660 \* 03008 1997 Internal Medicine  
BALAGUER AIRPORT, LA ISABELA HIGUERO

**EGYPT****CAIRO**

EL SAYED, ALY MOHAME MINISTRY OF CIVIL AVIATION, AEROMEDICAL COUNCIL 002022671052 \* 03378 2005 Aerospace Medicine  
AIRPORT ROAD FLAT 1 BASEMENT

GAWDAT, MAHA N. MINISTRY OF CIVIL AVIATION, CAA EGYPT AIRPORT 2022688346 \* 03313 2005 Ophthalmology  
STREET

MARWAN, AHMED MOUS MINISTRY OF CIVIL AVIATION, CAA EGYPT AEROMED 20123952202 \* 03302 2004 Internal Medicine  
COUNCIL AIRPORT ST PO BOX 52 11776

**EL SALVADOR****SAN SALVADOR**

RECINOS, JORGE RENE CLINICA DE MEDICINA DE AVIACION, EDIF AM #NSDIFICIO 50322606088 \* 02893 1994 Family Practice/General Practice  
AM # A5 COLONIA ESCALON 1A CALLE PTE Y 63 AVE NTE

**ETHIOPIA**

## ETHIOPIA - (Cont.)

### ADDIS ABABA

GEBREMARIAM, AYNALÉ	ETHIOPIAN AIRLINES, MEDICAL UNIT PO BOX 1755	251115178273	*	02968	1996	Dermatology
ABERRA, ASNAKECH	ETHIOPIAN AIRLINES, MEDICAL UNIT BOLE INTL. A/P W-17 K-20	2511623606	*	03362	2005	Internal Medicine
ASFAY, T SHIBRU	BETHZATHA MED CTR, PO BOX 929 CODE 1110	2511550088	*	02843	1994	Family Practice/General Practice
FIKRU, SABA	ETHIOPIAN AIRLINES, MEDICAL UNIT PO BOX 1755	2511612222	*	03064	1998	Family Practice/General Practice

## FINLAND

### VANTAA

P OKSANEN, PEKKA J	JUMBOMED MEDICAL CENTER, TASETIE 8, 3RD FLOOR 01510	358757550100	*	15805	1987	Aerospace Medicine
--------------------	---	--------------	---	-------	------	--------------------

## FRANCE

### AMBILLY

P DEBRAY, GILLES F	1 RUE DU SALEVE 74100	33450380693	*	15777	1985	Aerospace Medicine
--------------------	-----------------------	-------------	---	-------	------	--------------------

### AUCAMVILLE

P CORNAC, ALAIN	38 RUE DES E COLES 31140	33680334826	*	02872	1993	Aerospace Medicine
-----------------	--------------------------	-------------	---	-------	------	--------------------

### LE BOURGET

P HERAIL, JOELLE	LE BOURGET AIRPORT, PAUL BERT BLDG 93350	33611048241	*	15723	1982	Family Practice/General Practice
------------------	--	-------------	---	-------	------	----------------------------------

### NICE

P TOURET, BERNARD	6 RUE ROSSINI 06000	330493872125	*	01440	1990	Family Practice/General Practice
-------------------	---------------------	--------------	---	-------	------	----------------------------------

### ORRY LA VILLE

P KAMDOUM, CHARLES	10 RUE DU STADE 60560	33344213664	*	15709	1981	Aerospace Medicine
--------------------	-----------------------	-------------	---	-------	------	--------------------

### PARIS

P GROSS, JEAN F	HTOTEL SOFITEL, 8-10 RUE LOUIS ARMAND 75015	0607897799	*	04158	1959	Internal Medicine
ST LAURENT, ALAIN MAR	CIVIL AVIATION MEDICAL COUNCIL, 3 PLACE DE FONTENOY 75007	330670978763	*	15806	1987	Family Practice/General Practice
DAX, JOHN M	57 AVE GEORGES-MANDEL ASC 2 SEME ETAGE DROITE 75116	33147045012	*	04080	1951	Family Practice/General Practice
P GERMA, RENE JEAN	3 PLACE DE FONTENOY 75007	33144498493	*	03034	1998	Aerospace Medicine
P ATZENHOFFER, MARIE-C	3 RUE LAROCHELLE 75014	33143272983	*	02927	1995	Aerospace Medicine

### TOULOUSE BLAGNAC

P MOUCHARD, JEAN GEOFF	C/O CEMPN-TB 8 AV DIDIER DAURAT 31700	33561710671	*	15817	1988	Aerospace Medicine
------------------------	---------------------------------------	-------------	---	-------	------	--------------------

### TRENBAY EN FRANCE

P LEPOYVRE, ALBANE	AIR FRANCE - CENP, 3 PLACE DE LONDRES BP 11201 95703	033148642073	*	03324	2005	Aerospace Medicine
--------------------	--	--------------	---	-------	------	--------------------

## GERMANY

### AACHEN

P WEIDEMANN, PETER K	KURBRUNNENSTRASSE 22 52066	492416052852	*	03050	1998	Internal Medicine
----------------------	----------------------------	--------------	---	-------	------	-------------------

### BERLIN

P HOLLMANN, ERNST J	TEMPELHOFER DAMM 228 12099	49307517024	*	15608	1977	Aerospace Medicine
LOTT, EBERHARD	KLAUSENER PLAT 19 14059	0303215066	*	15783	1986	Family Practice/General Practice
P SCHIRROW, HEIN B.	JOACHIM-FRIEDRICH-STR 16 10711	0308852145	*	15850	1990	Aerospace Medicine
P LANDGRAF, HELMUT	MEDIZINISCHE KLINIK VI / ANGIOLOGIE, VIVANTES KLINIKUM IM FRIEDRICHSHAIN LANDSBERGER ALLEE 49 10249	03042210	*	15820	1989	Internal Medicine

### BORKUM

P BRAUN, THOMAS M	C/O KLINIK BORKUM-RIFF, 126 HINDENBURG ST D26757	494922302164	*	03162	1999	Aerospace Medicine
-------------------	--	--------------	---	-------	------	--------------------

### BRAUNSCHWEIG

P PETERS, EBERHARD A. V	AEROMEDICAL CENTER, 80 WOLFENBUETTEL STR D38102	49531794079	*	03121	1999	Aerospace Medicine
-------------------------	---	-------------	---	-------	------	--------------------

### BRILON

P KRETZSCHMAR, THOMAS	BAHNHOFSTRASSE 8 59929	04929611005	*	03230	2001	Family Practice/General Practice
-----------------------	------------------------	-------------	---	-------	------	----------------------------------

### COLOGNE

P KLUGE, GOETZ A.	DLR AEROMEDICAL CENTER, LINDER HOEHE 51170	0922036013368	*	03386	2006	Aerospace Medicine
-------------------	--	---------------	---	-------	------	--------------------

**GERMANY - (Cont.)**

**DUSSELDORF**

P HOFF, BERNHARD CHARLOTENSTR. 49 40210 49211362330 \* 03012 1997 Family Practice/General Practice  
 P HAUER, FRANZ H CHERUSKERSTRABE 111 405450000 49211577290 \* 02982 1997 Internal Medicine

**EBSDORFERGRUND**

P FEES, KLAUS H 15 DREIHAUSER STRASSE D35085 496424923131 \* 03124 1999 Family Practice/General Practice

**ERLANGEN**

P HEYNEN, HANS-PETER SPITZWEGSTR. 8 D91056 49913143876 \* 15748 1984 Aerospace Medicine

**ESSEN**

P KRAUS, HANS-GERHARD WINTGENSTR 23-25 452390000 4920140093 \* 02963 1996 Internal Medicine

**FILDERSTADT**

P BROSI, EBERHARD MEDIZINISCHE CENTRUM-AEROMEDICAL CTR GERMANY, 07117949467 \* 15802 1983 Aerospace Medicine  
 AIRPORT BUSINESS CENTER II GOTTLIEB-MANZ-STR. 1  
 70794  
 P QUAST, ROLAND DIRECTOR, AEROMEDICAL CENTER GERMANY 1907117070923 \* 02931 1996 Aerospace Medicine  
 GOTTLIEB-MANZ ST 1 70794

**FRANKFURT**

P SIEDENBURG, JOERG AIRPORTRING TOR 21 60546 6969647624 \* 03015 1997 Internal Medicine  
 P GABEL, ANDREAS LUFTHANSA GERMAN AIRLINES MED DEPT, LUFTHANSA 496969647620 \* 03312 2004 Aerospace Medicine  
 BASE TOR 21 60546 FRANKFURT/M. AIRPORT  
 P KUKLINSKI, PAUL FLIEGERARZTLICHE UNTERSUCHUNGSSTELLE, IAS - 1922036013368 \* 15743 1983 Aerospace Medicine  
 PREVENT UNTERSCHWEINSTEIGE 8 60549

**FRANKFURT AM MAIN**

P STUEBEN, UWE DEUTSCHE LUFTHANSA AG, MEDICAL DEPARTMENT FRA 496969647610 \* 02620 1992 Family Practice/General Practice  
 PM/F 605460000  
 P VON MUELMANN, MATTH MEDICAL SERVICE LUFTHANSA, LH-BASE FRA PM/F 496969647601 \* 15851 1990 Aerospace Medicine  
 605460000

**FRANKFURT/M**

P HUFNAGEL, IRENE M.E. CITY MEDICAL CENTER FRANKFURT, KAISERSTRASSE 10 1906920973760 \* 03327 2005 Internal Medicine  
 D 60311

**FRIEDRICHSHAFEN**

P STIRNER, UDO AM FLUGPLATZ 29 88046 1497541371732 \* 15792 1986 Internal Medicine

**FUERSTENFELDBRUCK**

WONHAS, F. CHRISTOPH GERMAN AIRFORCE INSTITUTE OF AVIATION MEDICINE, 814153602033 \* 03450 2008 Aerospace Medicine  
 STRASSE DER LUFTWAFFE 82256

**GROEBENZELL**

P FRANK, PETER W AUGSBURGER STR 30 82194 0814257706 \* 03013 1997 Aerospace Medicine

**HAMBURG**

P GEBHARD, JAN DEUTSCHE LUFTHANSA AG, MEDICAL DIENST WEG BEIM 494050702081 \* 02930 1996 Internal Medicine  
 JAGER 193 223130000  
 P KULOW, MICHAEL FLUGHAFEN HAMBURG, 1-3 FLUGHAFENSTRASSE 22335 4050751489 \* 03158 1999 Aerospace Medicine  
 P KRAUS, HANS W C/O DR. MULLER-WOLF, WANDSBEKER CHAUSSEE 121 B 04022800745 \* 01574 1991 Family Practice/General Practice  
 D-22089  
 GERKE-HAGENOW, JUTT GEORG CLASEN WEG 39 22415 49405204212 \* 02606 1992 Internal Medicine

**HAMM**

P ADRIAN, ANDREAS H. FLUGMEDIZINISCHER SACHVERSTANDIGER, OSTENALLEE 1490238115080 \* 03383 2006 Aerospace Medicine  
 9 59063

**KAMP-LINTFORT**

P SOEHLMANN, WERNER L AUGUSTSTRASSE 45 47475 49284213440 \* 03016 1997 General Surgery

**KARBEN**

P GRAEF, MARTIN KARDIOLOGIE KARBEN, ROBERT BOSCH STRASSE 62 4960395800 \* 03220 2000 Internal Medicine  
 61184

**KOLN**

P LOHN, KLAUS A DLR, PORZ-WAHNHEIDE LINDER HOHE D51170 1922036013368 \* 03009 1997 Aerospace Medicine

**MUHLACKER ENZBERG**

P BAEUERLE, RAMON HANDELSTRASSE 33 D75417 497041863103 \* 03270 2003 Family Practice/General Practice

**MUNCHEN**

P SCHMIDT-GARVE, JUERC BRIENNER STRASSE 3 80333 089298190 \* 01448 1991 Internal Medicine

**MUNCHEN-FLUGHAFEN**

P KAUL, GUENTHER M DEUTSCHE LUFTHANSA AG SUDALLEE 15 D85356 0899775200 \* 02889 1994 Aerospace Medicine  
 P FLICK, MICHAEL J DEUTSCHE LUFTHANSA AG, SUDALLEE 15 85356 49899775200 \* 03218 2000 Aerospace Medicine

**MUNICH**

P HOENIG, UWE H SENDLINGER-TOR-PLATZ 7 D80336 498959978792 \* 03391 2006 Family Practice/General Practice

**GERMANY - (Cont.)****NEUBRANDENBURG**

P HARSCH, VIKTOR FLIEGERARZTLICHE UNTERSUCHUNGSSTELLE, ANDER 1493954225743 \* 02965 1996 Aerospace Medicine  
MARIENUIRCHE 2 17033

**OTTO BRUNN**

P WIESHOLLER, MAXIMILIA GOETHSTRASSE 27 85521 1726777016 \* 03250 2002 General Surgery

**ROETHENBACH**

P JAHN, PETER HEINRICH-DIEHL-STR 6 90552 1499119572666 \* 15811 1987 Occupational/Industrial Medicine

**SAARLOUIS**

P SCHWAN, FRIEDHELM E IBF, GROBER MARKT 8 666740 49683198110 \* 02639 1993 Aerospace Medicine

**SINZHEIM, BADEN-WUERTTEM**

P GROVE, ANDREAS K. DRS GIEBEL/GRAMPP - INTERNAL MEDICINE PRACTICE, 6 1972232819682 \* 03288 2004 Aerospace Medicine  
HANS-THOMA-STRASSE 76547

**SPEYER**

P MUTSCHLER, RAINER CARL-DUPRE-STRE 1 D-67346 1962322890880 \* 02926 1995 Family Practice/General Practice

**TRIER**

P LIETHEN, PAUL W KOCHSTRASSE 13 54290 496514367616 \* 03208 2000 Internal Medicine

**WEIDEN**

P SIMONS, NORBERT FICHTESTR 17 92637 499612218 \* 15844 1990 Family Practice/General Practice

**GHANA****ACCRA**

ADDAE, REGINALD O. CASTLE DRIVE CLINIC, PO BOX 9229 K.I.A. 23321662700 \* 11759 1974 Internal Medicine

**GREECE****KALAMARIA, THESSALONIKI**

P KOURTIDOU-PAPADELI, C ETHNIKIS ANTISTASIS 51-53 AND ARISTIDOU 8 55133 302310488727 \* 03003 1997 Pulmonary Medicine

**GUATEMALA****GUATEMALA**

GARAY-MOYA, MODESTO 18 AVENUE A 4-04 ZONE 15 01015 5023310311 \* 04616 1964 Internal Medicine

**GUYANA****KINGSTON, GEORGETOWN**

P WILLIAMS, MARK A. 80 COWAN ST 5922270452 \* 03006 1997 Family Practice/General Practice

**HONG KONG****LANTAU ISLAND**

LIEW, MICHELE Y. H. CATHAY PACIFIC AIRWAYS LIMITED, AVIATION MED 2/F 85227472922 \* 03337 2005 Aerospace Medicine  
CENTRAL TWR CATHAY PACIFIC CITY 8 SCENIC RD HK INTL  
ARPT

P COCKS, ROBERT A. CATHAY PACIFIC AIRWAYS LIMITED, AVIATION MED 2/F 85227472923 \* 03338 2005 Aerospace Medicine  
CENTRAL TWR CATHAY PACIFIC CITY 8 SCENIC RD HK INTL  
ARPT

**TSIMSHATSUI, KOWLOON**

O'TREMBA, FRANCIS M 11/F KAISENG COMMERCIAL CTR 4-6 HANDOW RD 85223693329 \* 02613 1992 Family Practice/General Practice

**HUNGARY****BUDAPEST**

HARDICSAY, GABOR CAA AEROMEDICAL SECTION 1XGYALI UT 17 H1097 3612800030 \* 02875 1993 Internal Medicine

P MELLES, IMRE HUNGARIAN AEROMEDICAL CENTER, GYALI UT 17 H1097 3612806809 \* 03221 2000 Aerospace Medicine

**INDIA****BOMBAY**

POCHA, NUSLY P J R N GAMADIA POLYCLINIC UNIT 19, GAMADIA COLONY RD 912223534036 \* 15764 1984 Family Practice/General Practice  
 TARDEO 400007  
 MEHRA, ANIL AMAS MEDICAL SERV PVT LTD, 302 SAQIB, TPS III, PLOT 912226425335 \* 02944 1996 Aerospace Medicine  
 NO. III TURNER ROAD, BANDRA (WEST) 400050

**MAHARASHTRA**

PURI, SATISH KUMAR 15 SHANTINIKETAN CHS (AIR INDIA) YARI RD VERSOVA 9820099537 \* 02984 1997 Internal Medicine  
 ANDHERI MUMBAI 400061

**MUMBAI, MAHARASHTRA**

MASRANI, PUNITA #78/B, PANKAJ MANSION, DR. ANNIE BESANT RD, WORLI 912224901066 \* 03452 2008 Aerospace Medicine  
 400018

**NEW DELHI**

BHALLA, AKSHAYA HEALER'S CLINIC, K-37, SOUTH EXTENSION PART 2 110049 911124507558 \* 03480 2009 Aerospace Medicine

**INDONESIA****JAKARTA**

SABIRIN, ENDRA T SBU GARUDA SENTRA MEDIKA, JL ANGKASA KAV B15 #1 62214241192 \* 11659 1971 Aerospace Medicine  
 KEMAYORAN 10620

**IRELAND****CULLYBACKEY**

MCATEER, HELEN M MAINE MEDICAL PRACTICE, OLD MILL PARK BT421GP 442825882222 \* 03398 2006 Family Practice/General Practice

**DUBLIN 1**

P KILLEEN, THOMAS C 14 MOUNTJOY SQUARE 35318336868 \* 11581 1968 Family Practice/General Practice  
 P KILLEEN, COLM M 14 MOUNTJOY SQUARE 35318560040 \* 02892 1994 Family Practice/General Practice

**ISRAEL****HAIFA**

P BARLEV, AVINOAM 8 ELHANAN ST MOUNT CARMEL 34452 97248380394 \* 15765 1985 Plastic Surgery

**OMER**

P EFRATT, CARMELA Y 6 PILPELON ST 84965 97286650441 \* 03209 2000 Family Practice/General Practice

**ITALY****MILANO**

P FREILICH, WILLIAM S. AMERICAN-INTL MED CTR, VIA MERCALLI 11 201220000 39258319808 \* 03083 1999 Internal Medicine

**ROME**

MALIZIA, ENRICO G. 10 V MONTEVIDEO 00198 39068417116 \* 15826 1989 Internal Medicine  
 VAN DOORNE, DOMINIQL 26A PIAZZA STEFANO JACINI 001910000 3963291342 \* 02885 1993 Endocrinology

**JAMAICA****KINGSTON 10**

P GOMES, RICHARD A DEVON HOUSE EAST UNIT 28, 2 1/2 KINGSWAY 908769267161 \* 15841 1990 Family Practice/General Practice

**JAPAN****KOBE CITY**

TORITA, KENJI TORITA CLINIC, 4-5-8 AIOICHO CHUO-KU 6500025 081783511240 \* 02921 1995 Aerospace Medicine

**NISHIHARA, OKINAWA**

YANAMI, YUICHI E ADVENTIST MEDICAL CENTER, 868 KOCHI 903-0201 0989462833 \* 03471 2009 Internal Medicine

**OTAKU**

P KIKUCHI, ATSUO TOKYO INTERNATIONAL AIRPORT, MEDICAL OFFICE 3-3-2 81357571122 \* 03251 2002 Aerospace Medicine  
 HANEDAKUKO POB 61 1446591

**JAPAN - (Cont.)****TOKYO**

P	KAJI, MASANOBU	JAL MEDICAL SERVICES, 6-8 HANEDA-KUKO 3-CHOME OTA-KU 1440041	81357563462	*	02894	1994	Aerospace Medicine
P	TAKAHASHI, HIROSHI	NOGE 1-14-25 SETAGAYA-KU 158000092	810337015220	*	03224	2001	Family Practice/General Practice

**TSUKUBA, IBARAKI**

P	SHIMADA, KAZUHITO	TSUKUBA SPACE CENTER, 2-1 SENGEN 3058505	81298543946	*	03216	2000	Aerospace Medicine
---	-------------------	--	-------------	---	-------	------	--------------------

**JORDAN****AMMAN**

P	JAHSHAN, SAMIR H	PO BOX 9177 11191	9626644147	*	11742	1974	Otorhinolaryngology
	KHALIL, KHALIL M	JORDAN CIVIL AVIATION REGULATORY COMM, PO BOX 963014 11196	96279555781	*	03467	2009	Aerospace Medicine
	ZUREIKAT, SAMIR Y	PO BOX 2424 111810000	96264637647	*	15793	1986	Otorhinolaryngology

**KENYA****NAIROBI**

	ILAKO, FESTUS M	HURLINGHAM HEALTHCARE SERVICES, SCRIPTURE UNION CTR OFF ARGWINGS RD POB 76386	2542725630	*	03225	2001	Internal Medicine
P	GATABAKI, JOHN P	WABERA STREET PO BOX 45901 00100	2542220431	*	15641	1978	Aerospace Medicine

**KOREA****INCHON**

	OH, JUNG HYUB	INHA UNIVERSITY HOSPITAL, #7-206 SHINHEUNG-DONG, JUNG-GU 400-103	82328902400	*	03400	2007	Ophthalmology
--	---------------	---	-------------	---	-------	------	---------------

**KANGSEO-GU, SEOUL**

	KWON, YOUNG HWAN	AEROMEDICAL SERVICE TEAM, KOREAN AIRLINE BLDG, 1370 GONCHWANGDONG 157-712	82226563335	*	03458	2008	Internal Medicine
--	------------------	--	-------------	---	-------	------	-------------------

**SEOUL**

	KIM, JEONG HYUN	ASIANA AIRLINES MEDICAL DEPT, 47 OSAE-DONG KANGSEO-KU 157270	8226693803	*	01578	1991	Internal Medicine
P	KWAK, INHO	INTL CLNC, 388-1 PUNGNAP-DONG SONGPA-GU 138736	82230105001	*	02873	1993	Family Practice/General Practice
	HAN, BOK SOON	AEROMEDICAL SERVICE TEAM, KOREAN AIR BLDG KIMPO INTL ARPT 157712	8226563858	*	15797	1986	Occupational/Industrial Medicine

**KUWAIT****SAFAT**

	ZAKI, AHMED G.	KUWAIT AIRWAYS MEDICAL CENTER, AIRPORT STREET PO BOX 394 13004	009656736072	*	03323	2005	Family Practice/General Practice
	AL DOUB, MUBARAK ALI	AVIATION MEDICAL CENTRE, PO BOX 1456 13015	9659661906	*	15840	1989	Aerospace Medicine

**LEBANON****BEIRUT**

P	BECHARA, GEORGE F	MEA MED DEPT, BEIRUT ARPT PO BOX 206 206	9611622666	*	02874	1993	Aerospace Medicine
	MOUKHEIBER, SAMI EMIL	AMERICAN UNIVERSITY MEDICAL CENTER, I BLISS STREET	9613240450	*	02891	1994	Family Practice/General Practice

**LESOTHO****MASERU**

P	PEPPER, LARRY J	LESOTHO FLYING DOCTOR SERV./MAF, MEJAMETELANA AIRPORT 100	25648520872	*	02970	1996	Aerospace Medicine
---	-----------------	--	-------------	---	-------	------	--------------------

**LIBYA****TRIPOLI**

	GREBA, EYSSA M	AERO-MEDICAL CENTER CLINIC, LIBYAN CAA TRIPOLI INT'L AIRPORT 21821	218215632332	*	03431	2008	Cardiology
--	----------------	---	--------------	---	-------	------	------------

**LUXEMBOURG****DIFFERDANGE**

P KLEIN, PIERRE ALEXAND 30 PARC DE GERLACHE L4574 352589321 \* 03232 2001 Forensic Medicine

**LUXEMBOURG**

P BISDORFF, JEAN HOSPITAL KIRCHBERG 9 RUE EDWARD STEICHEN L2540 35224681 \* 02880 1993 Aerospace Medicine

**MACAU****MACAU**

EVORA, HUMBERTO A PO BOX 1954 853313731 \* 03153 1999 Sports Medicine

**MALAYSIA****SELANGOR D.E.**

SINGH, BADHESHA JAGD NO. 4 JALAN TANJONG 5/41 46000 PETALING JAYA 50728 60379566878 \* 15584 1976 Occupational/Industrial Medicine

**KUALA LUMPUR**

P YONG, ERNEST 13-15 LEBUH AMPANG 6TH FL MBSB BLDG 50100 60320709742 \* 02951 1996 Aerospace Medicine

P SAGOO, DALBIR S. TWIN TOWERS MED CTR, LOT 401 F & G LEVEL 4 SURIA KLCC 50088 6033822000 \* 15689 1980 Aerospace Medicine

**MALTA****LUQA**

GALEA, ROBERT MEDICAL CENTRE, ARMED FORCES OF MALTA LUQA BARRACKS 356824227 \* 02876 1993 Aerospace Medicine

**TA XBIEX (EUROPE)**

BONNICI, ALFRED 34 CASA BONNICI SIR AUGUSTUS BARTOLO ST 356338437 \* 11531 1968 Aerospace Medicine

**MEXICO****MEXICO CITY**

P SALICRUP, CARLOS PROGRESO 186-101 11800 5555156884 \* 03503 2009 Aerospace Medicine

**MEXICO D.F.**

AMEZCUA-GONZALES, LI AVE PRGRESO 186-101 C.P. 11800 038100000 5555156884 \* 04149 1959 Family Practice/General Practice

**MOROCCO****CASABLANCA**

P BOUCHARREB, ABDELALI 124 BLVD RAHAL-EL-MESKINI 20000 21222319741 \* 03228 2001 Rheumatology

**NETHERLANDS****LUCHTHAVEN SCHIPHOL**

DE VRIES, HENDRIK J KLM AEROMEDISCH INSTITUUT, POSTBUS 7700 (SPL/AM) 1117ZL 0206493400 \* 03180 1999 Aerospace Medicine

**MAASTRICHT-AIRPORT**

NIESTEN, BENEDICTE C. AVIATION MEDICAL CENTER, VliegVeldweg 196 6199 AD 1031433653344 \* 03483 2009 Aerospace Medicine

**SCHIPHOL AIRPORT**

DE VRIES, CHRISTINE D OCCUP HLTH DEPT SPL/AK, ROYAL DUTCH AIRLINES PO BOX 7700 1117ZL 31206495793 \* 02992 1997 Aerospace Medicine

GODEFROY, WILLEM A L OCCUPPTL HLTH DEPT SPL/AK, ROYAL DUTCH AIRLINES PO BOX 7700 1117 ZL 31206491888 \* 15749 1984 Occupational/Industrial Medicine

**SCHIPHOL-OUDEMEER**

P ROODENBURG, ANNA M AEROMEDICAL EXPERT CENTRE, FOKKERWEG 300 1438AN 31203043290 \* 03004 1997 Aerospace Medicine

**NETHERLANDS ANTILLES**

**IETHERLANDS ANTILLES - (Cont.****CURACAO**

ALLAART, JAN W L AEROPUERTO HATO 59998338317 \* 02622 1992 Aerospace Medicine

**SINT MAARTEN**

DEKETH, HIDDE P MULLET BAY CLINIC, MULLET BAY PO BOX 964 5995454280 \* 03314 2005 Family Practice/General Practice

**ST MAARTEN**

P VAN DER WAAG JR, ALBE MULLET BAY CLINIC, PO BOX 64 5995454230 \* 15690 1980 Family Practice/General Practice

**NEW ZEALAND****AUCKLAND**

DANIELS, WILLIAM L 320 REMUERA ROAD PO BOX 28-306 6495246504 \* 01575 1991 Family Practice/General Practice

**CHRISTCHURCH**

NEWTON, SUSAN J , BOX 2895 64033595370 \* 03265 2003 Aerospace Medicine

**NICARAGUA****MANAGUA D.N.**

P GORDILLO, DONALD J CLINICA MANAGUA, 1310 - CALLE COLON STE 1 5052226213 \* 03254 2002 General Surgery

**NIGERIA****IKEJA, LAGOS**

HAGGAI, WILFRED T NCAA HQS - AEROMEDICAL SECTION, P.M.B. 21029 21038 23417939920 \* 03287 2004 Aerospace Medicine

**KADUNA**

P OWOLABI, MAKANJUOLA MENDS HOSPITAL, 5 ABBA KYARI CLOSE 5B OLD DAWAKI RD POB 3001 23462238811 \* 15726 1982 Aerospace Medicine

**OSHODI, LAGOS**

OKUPA, FRANK E KUPA MEDICAL CENTER, 4 LATEEF SALAMI ST AJAO ESTATE OFF AIRPORT RD PO BOX 3743 23417743618 \* 03277 2003 Aerospace Medicine

**SURULERE, LAGOS**

AKINLADE, HAKIM A RAO HOSPITAL, 93 RANDLE AVE 23417306625 \* 03227 2001 Family Practice/General Practice

**NORWAY****LYSAKER**

TJENSVOLL, LARS STRANDVEIEN 50C 1366 67115900 \* 15824 1989 Family Practice/General Practice

DVERGSDAL, PETER KILENVN 45 N1366 44767102660 \* 15798 1986 Family Practice/General Practice

**OSLO**

KRAVIK, STEIN E JOHAN EVJES V #15 0667 4722273355 \* 15785 1986 Aerospace Medicine

**SANDNES**

CAPPELEN, PER-JOHAN MARIUS SKADSEMS VEI 21 N4316 4751652092 \* 15700 1981 Aerospace Medicine

**PAKISTAN****KARACHI**

KADIR, S G 86/1 13TH ST KHAYABAN-E-SEHR PHASE 6 DHA 72500 92215847335 \* 15752 1984 Aerospace Medicine

**LAHORE**

P AKHTAR, SALEEM A 430-Y PHASE 3 L.C.C.H.S. 9242893194 \* 02635 1992 Aerospace Medicine

**PANAMA****PANAMA CITY**

P STAFF, CARLOS E CENTRO MEDICO NACIONAL, PO BOX 0815-01044 004 5072253963 \* 15636 1991 Aerospace Medicine

**PERU**

**PERU - (Cont.)****LIMA**

LARI-CASTRILLON, NOR/	CLINICA ANGLO AMERICANA, ALFREDO SALAZAR S/N	5112213795	*	03255	2002	Internal Medicine
ORMENO VALDIZAN, GIN	(CUADRA TRES) SAN ISIDRO AV. LAS ARTES NORTE 1119	5113461827	*	03273	2003	Family Practice/General Practice

**PHILIPPINES****MALAY**

P TEOTICO, MARIA CHRIST	METROPOLITAN DOCTORS MEDICAL CLINICS, AMBULONG, BORACAY ISLAND 5608	63362886357	*	03482	2009	Occupational/Industrial Medicine
-------------------------	--	-------------	---	-------	------	----------------------------------

**PASAY CITY**

DARIO, CESAR A.	AIR TRANSPORTATION OFFICE, MIA ROAD	6328321294	*	15611	1977	Aerospace Medicine
-----------------	-------------------------------------	------------	---	-------	------	--------------------

**PORTUGAL****LISBON**

MATOS, PEDRO M P	PORTUGUESE DIABETIC ASSOC, RUA RODRIGO DA FONSECA 1 1250	35113816100	*	01443	1991	Internal Medicine
------------------	---	-------------	---	-------	------	-------------------

**QATAR****DOHA**

AL-NAIMA, ABDUL AZIZ	PO BOX 16293 0974	974616536	*	02987	1997	Otorhinolaryngology
AL-SAEY, HAMAD JABER	PO BOX 308	9744882335	*	02890	1994	Otorhinolaryngology

**SAUDI ARABIA****DHAHRAN**

P AL-OTAIBI, SULTAN THO/	DHAHRAN HEALTH CENTER, SAUDI ARAMCO PO BOX 11606 31311	96638778307	*	03146	1999	Occupational/Industrial Medicine
--------------------------	---	-------------	---	-------	------	----------------------------------

**JEDDAH**

MONEM, MOHAMMED A	DR ERFAN HOSPITAL, PRINCE FAHAD ST (AL SETEEN) POB 6519 214520000	96626820022	*	15728	1982	Aerospace Medicine
GHARIB, KHALID A.	GEN AUTHORITY OF CIV AVN (GACA), SAFETY & ECONOMIC REG. AVIATION MEDICAL DEPT AVN MED DEPT PO BOX 887 21165	96626855759	*	02897	1994	Internal Medicine
YOUNIS, MOHD HANI A	SAUDI ARABIAN AIRLINES MEDICAL SERVICES, PO BOX 167 21442	96626864233	*	15791	1986	Ophthalmology
ADI, MOUSAED Z	INTL ARPT PROJECTS, POB 6326 21442	96626854036	*	15744	1983	Family Practice/General Practice
ZAHARAN, OSAMA A H	SAUDI ARABIAN AIRLINES MEDICAL SERVICES, CC: 507 PO BOX 167 212310000	96626864047	*	02913	1995	Rheumatology
AL-SAYED, SALIM AHMEI	SAUDIA ARABIAN AIRLINES, MEDICAL SERVICES CC:507 PO BOX 167 212310000	96626861672	*	02905	1995	Internal Medicine
P KAMAL, TALAL OMAR	SAUDI ARABIAN AIRLINES MEDICAL SERVICES, OCCUP & AVIATION MED DEPT CC:507 PO BOX 167 21231	96626864599	*	03306	2004	Internal Medicine

**JEDDAH, MAKKAH**

MASOUDI, YAHYA MOHA/	SAUDI ARABIAN AIRLINES, KINDS RD KHALIDYAH DIST PO BOX 167 CC 507 21231	96626864592	*	03464	2009	Occupational/Industrial Medicine
----------------------	--	-------------	---	-------	------	----------------------------------

**RIYADH**

SAMY, AMAL	TRANSAD CLINIC, SULIMANIA AREA PO BOX 92881 11663	1096614655275	*	03143	1999	Family Practice/General Practice
JAD, AHMED M A	RIYADH AIR BASE MEDICAL CENTER, SULIMANIA AREA PO BOX 92881 11663	96614645050	*	03292	2004	Family Practice/General Practice

**RIYADH AIR BASE**

JAD, AHMED M A	RIYADH AIR BASE MEDICAL CENTER, PO BOX 25100 114660000	966507008625	*	03292	2004	Family Practice/General Practice
----------------	---	--------------	---	-------	------	----------------------------------

**SENEGAL****DAKAR**

KAOUK, MAJDI M	CABINET DU DOCTEUR KAOUK, 144 JOSEPH GOMIS BP 1742	2218234679	*	15703	1981	Internal Medicine
----------------	---	------------	---	-------	------	-------------------

**SERBIA**

**SERBIA - (Cont.)****BELGRADE**

RUDNJANIN, SLOBODAN HEAD OF INSTITUTE OF AVN MED, MILITARY MED 38111661336 \* 03289 2004 Aerospace Medicine  
ACADEMY 17 CRNOTRAVSKA 11000

**SINGAPORE****SINGAPORE**

YII, HEE SENG RAFFLES MEDICAL GROUP, 585 NORTH BRIDGE RD #02-00 6563111260 \* 03501 2009 Family Practice/General Practice  
188770  
MEDORA, FIRDOS MEDORA CLNC & SURGERY, 115 UPPER PAYA LEBAR RD 652880035 \* 01453 1991 Family Practice/General Practice  
534833  
GHOSH, RAJIB SINGAPORE AEROMEDICAL CENTRE, 492 AIRPORT RD 6564880612 \* 03309 2004 Aerospace Medicine  
539945

**SLOVENIA****LJUBLJANA**

P KOZELJ, TOMAZ F HEALTH CENTRE OF MOD, STULA BS 1210 38615813458 \* 02948 1996 General Surgery

**SOUTH AFRICA****DURBAN NORTH**

P RATHGEBER, WALTER F 100 FAIRWAY BEACHWOOD 4051 27315611777 \* 11614 1969 Aerospace Medicine

**HAZYVIEW**

P NEL, ROBERT G SIMUNYE BUILDING SHOP NO. 10 MAIN STREET 1240 127137378779 \* 03304 2004 Family Practice/General Practice

**LANSERIA**

MURRAY, PIETER W PO BOX 732 1748 0116591014 \* 03297 2004 Aerospace Medicine

**PRETORIA**

BUYS, PHILIP W 829 PRIMULA RD MORELETA PK PO BOX 39298 0044 0129985928 \* 02614 1992 Aerospace Medicine

**VAN DER BIJLPARK**

P LATEGAN, PETRUS J. CORMED CLINIC, PO BOX 397 PASTEUR BLVD 1900 27169311751 \* 02619 1992 Family Practice/General Practice

**SOUTH-WEST AFRICA****OLYMPIA, NAMIBIA**

JORDAAN, DANIEL C LOLOPARK NO. 5 REGINALD WALKER ST PO BOX 80228 26461253166 \* 03212 2000 Aerospace Medicine  
80228

**SPAIN****MADRID**

RIOS-TEJADA, FRANCISC CIMA - ARTURO SORIA 82 280270000 34913677458 \* 01458 1991 Aerospace Medicine  
MUNOZ, ELISA PO CASTELLANA 224 BAJO DERECHA 280460000 34913150105 \* 02932 1996 Family Practice/General Practice

**SRI LANKA****COLOMBO**

WEERASENA, LAKSHMAI COLOMBO MEDICARE SERVICES LTD, 372 GALLE ROAD 03 941573523 \* 03206 2000 Aerospace Medicine

**SURINAME****PARAMARIBO**

MAC DONALD, HENK 29 TOURTONNELAAN 597425330 \* 02855 1994 Family Practice/General Practice  
GOMES, DARRYL M KONINGSTR. 147 597472578 \* 02856 1994 Family Practice/General Practice

**SWEDEN**

**SWEDEN - (Cont.)****BROMMA**

P LARSSON, PER-GUNNAR      BLACKEBERGS VARDCENTRAL, VINJEGATAN 8 SE16847      460705906291 \* 03038 1998 Aerospace Medicine

**ORKELLJUNGA**

P AARNELL, GORAN J      HEALTHCARE CENTER, STOCKHOLMSVAGEN 2 S28621      4643552065 \* 02838 1994 Psychiatry

**UPPLANDS/VASBY**

P BODEGARD, MAGNUS K      KANALVAGEN 7 19461      46859421040 \* 02975 1996 Aerospace Medicine

**SWITZERLAND****GENEVE**

P HYDE, ALEXIS LOUIS      26 AV. DE LA GARE DES EAUX-VIVES 1208      41227350588 \* 15846 1990 Internal Medicine

P VILLARD, FREDERIC      MEDICAL CTR GENEVA ARPT, 20 ROUTE DE PRE-BOIS 1215      227883550 \* 03001 1997 Aerospace Medicine

**MELIDE**

P MEILE, JEAN-OSCAR      VIA POCOBELLI 15 6815      41916494433 \* 02979 1996 Aerospace Medicine

**TRIMBACH, SOLOTHURN**

NAF. URS      BASLERSTR 118 4632      41622932324 \* 03089 1999 Aerospace Medicine

**ZURICH**

SZE, LEON      , LIMMATQUAI 78 8001      4112618131 \* 03203 2000 Internal Medicine

**ZURICH AIRPORT**

P STOESEL. ULRICH W      SWISS INTL AIRLINES MED SVCS, 34 BALZ-ZIMMERMANN ST PO BOX CH8058      41585846835 \* 03347 2005 Aerospace Medicine

**ZURICH-FLUGHAFEN**

P MUFF, SEVERIN      AIRPORT MEDICAL CTR, OFFICE BLDG PARKHAUS A P O BOX 2128 CH8058      41438166000 \* 02980 1996 Internal Medicine

**TAIWAN****SIJHIH CITY**

SHUM, PATRICK      DEPT OF OPHTHALMOLOGY, SIJHIH CATHAT GENERAL HOSP NO. 2, LANE 59 JIANCHENG RD      27082121 \* 02969 1996 Ophthalmology

**TAIWAN, ROC****TAIPEI**

SHIU, JIAN      CIVIL AVIATION MEDICAL CENTER, TAIPEI SUNG SHAN AIRPORT 3F NO.340-9 TUNG-HUA N. RD. 105      886225456700 \* 03286 2004 Aerospace Medicine

**THAILAND****BANGKOK**

P KAJORNBOON, SUTUSPL      BANGKOK GENERAL HOSPITAL, 2 SOI SOONVIJAI 7 NEW PETCHBURI RD 10320      6618328601 \* 01449 1991 Aerospace Medicine

PREMMANISAKUL, SUMA      GLOBAL DOCTOR CLINIC BANGKOK, HOLIDAY INN SILOM, SILOM ROAD 10500      6622368666 \* 03491 2009 Family Practice/General Practice

BANASARNPRASIT, SETH      GLOBAL DOCTOR CLINIC BANGKOK, 981, HOLIDAY INN SILOM, SILOM RD 10500      6622368444 \* 03492 2009 Family Practice/General Practice

**TRINIDAD & TOBAGO****PORT OF SPAIN**

MILLAR, STUART IAN      66 PEMBROKE ST      8686245762 \* 01584 1992 Family Practice/General Practice

**TURKEY****ANKARA**

ALAN. MUSTAFA      BAROMED HIPERBARIK OKSIJEN TEDAVI MERKEZI, NASUH AKAR MAH. 1.CADDE NO:43 A-B BALGAT 06520      903122879596 \* 03222 2000 Aerospace Medicine

**UNITED ARAB EMIRAT**

**UNITED ARAB EMIRAT - (Cont.)**

**ABU DHABI**

TUFAIL, SAMIA DR. MC CULLOCH MED. CNTR, FLAT: 1004, TENTH FL, POB 197126262677 \* 03481 2009 Internal Medicine  
8031 ABU DHABI CO-OP BLD AL NOOR HOSP SHEIKH  
KHALIFA ST

**SHARJAH**

P SALAMEH, ISSAM ABED SHARJAH AIRPORT MED CENTRE SHARJAH AIRPORT 097165084902 \* 01447 1991 Family Practice/General Practice

**UNITED ARAB EMIRATES**

**ABU DHABI**

SODHI, SURENDRA AL NOOR HOSPITAL, KHALIFA ST PO BOX 46713 097126139242 \* 03283 2003 Aerospace Medicine  
P MC CULLOCH, JOHN P R P.O. BOX 8031 / ABU DHABI CO-OP BLDG, STE 1004 10TH FL 97126262677 \* 15779 1985 Family Practice/General Practice  
ABOVE AL-NOOR HOSPITAL SHEIKH KHALIFA ST

**DUBAI**

AKEL, ROGER DR ROGER AKEL'S CLINIC, 1ST FL FLAT 4 MAGRUDY 97143442773 \* 15795 1986 Family Practice/General Practice  
CENTER JUMEIRAH BEACH RD POB 11962  
P PETHERBRIDGE, SEAN P INFINITY CLINIC, PO BOX 215428 726 AL WASL ROAD 97143948994 \* 03419 2007 Aerospace Medicine  
215428  
NAIR, RAJKUMAR B UNICARE MEDICAL CENTER, 105 BIN HAM BUILDING 97143529292 \* 03441 2008 Internal Medicine  
TRADE CENTER ROAD 25503

**FUJAIRAH**

EL HUSSEIN, AHMED M. FUJAIRAH MEDICAL CENTRE, PORT STREET PB 802 97192232555 \* 03316 2005 Surgeon

**UNITED KINGDOM**

**ABERDEEN, SCOTLAND**

HOWARTH, PETER F THE RECTORY, 38 OLDMELDRUM RD BUCKSBURN 441224715146 \* 15729 1982 Family Practice/General Practice  
AB219DU

**BISHOPS STORTFORD**

WALLACE, JAMES T 40 HADHAM RD CM232QT 1279654053 \* 11735 1973 Family Practice/General Practice

**CHELTENHAM GLOS**

P RAMSAY, IAN D PORTLAND PRACTICE, ST PAUL'S MED CENTRE 121 01242215437 \* 02946 1996 Family Practice/General Practice  
SWINDON RD GL504DP

**CHRISTCHURCH, DORSET**

HICKISH, GORDON W NEW MED CNTR, RINGWOOD RD BRANGSORE NR 1425672857 \* 15632 1978 Aerospace Medicine  
BH238AD  
GAMPER, NICHOLAS H BURTON MEDICAL CENTRE, THE STABLE BLOCK 441202474311 \* 15803 1987 Family Practice/General Practice  
SALISBURY ROAD BH237JN

**DAVENTRY NORTHAMPTONSHIR**

P VOETEN, FRANK J.A.M. DANETRE MEDICAL PRACTICE, LONDON ROAD NN11 4DY 441327708531 \* 03285 2003 Family Practice/General Practice

**DORSET**

HICKISH, ANGUS E NEW MEDICAL CENTRE, RINGWOOD RD BRANGSORE 1425672857 \* 02960 1996 Family Practice/General Practice  
NEAR CHRISTCHURCH BH238AD

**DOUGLAS, ISLE OF MAN**

PILLING, ADRIAN C 41 SELBORNE DR IM23NJ 441624677997 \* 03241 2001 Family Practice/General Practice

**EAST LONDON, ENGLAND**

P PITTS, JOHN 10 BALTIC ST EC1Y 0UJ 447958953147 \* 03405 2007 Ophthalmology

**EASTBOURNE, E SUSSEX**

WADDY, ROSEMARY S MIS HOUSE, 23 ST LEONARDS RD BN213PX 1323724889 \* 02879 1993 Aerospace Medicine

**ESSEX**

P ORTON, PETER K AVIATION MEDICA, 150B FIRST AVE STANSTED AIRPORT 0441279661580 \* 03211 2000 Family Practice/General Practice  
BUSINESS PARK CM241RY

**FAIRFORD, GLOUCESTERSHIRE**

BENZIE, ALEXANDER S BEAUMOOD BARN HOUSE GL74AP 441285713395 \* 15699 1981 Aerospace Medicine

**GATWICK, WEST SUSSEX**

P HUNTER, ROBERT M CAA MEDICAL DEPT, AVIATION HOUSE SOUTH AREA 441293573891 \* 03231 2001 Aerospace Medicine  
RH60YR  
P JOHNSTON, RAYMOND V CAA MEDICAL DEPT, AVIATION HOUSE SOUTH AREA 441293573664 \* 02641 1993 Aerospace Medicine  
RH60YR

**GOOSTREY, CHESHIRE**

P HUDSON, MARTIN F GRASMERE MEDICAL SERVICES, 7 SWANWICK CLOSE NR 441477532527 \* 03031 1997 Family Practice/General Practice  
HOLMES CHAPEL CW48NU

**UNITED KINGDOM - (Cont.)****HARPENDEN, HERTS**

P CRANSTON, DAVID P HARPENDEN CLINIC & AEROMEDICAL CENTRE, 363 LUTON RD AL53LZ 441582764673 \* 15603 1977 Family Practice/General Practice

**HORLEY, SURREY**

P KING, CHRISTOPHER J 35 MASSETTS RD HORLEY RH67DQ 441293775336 \* 03427 2007 Family Practice/General Practice

P TALLENT, DAVID N BROOKDALE MEDICAL CENTRE, 79 POVEY CROSS RD RH6 0AE 441293776996 \* 02956 1996 Aerospace Medicine

**LEAMINGTON SPA**

P FOSTER-THOMPSON, FO 1 CLARENDON CRESCENT WARWICKSHIRE CV325NR 01926335487 \* 15813 1988 Internal Medicine

**LINCOLN**

LUNN, JOHN M THE OAKS, THE BROADWAY WOODHALL SPA LN106SQ 441526954088 \* 15676 1980 Family Practice/General Practice

**LONDON**

P EDGINGTON, KENNETH AIRPORT MEDICAL SERVICES, 164 BISHOPSGATE EC2M4LX 4402073774646 \* 15839 1989 Aerospace Medicine

P PERRY, IAN C THE OLD FARM HOUSE GRATELEY HANTS SP11 8JR 4401264889659 \* 11610 1969 Aerospace Medicine

P KING, CHRISTOPHER J 22 UPPER WIMPOLE ST W1G 6NB 01903742266 \* 03427 2007 Family Practice/General Practice

**MANCHESTER ARPT W CHESHIRE**

REISLER, RONALD AVIATION MED FAC GRP, BUS AV CTR HGR 7 W MAINTENANCE AREA M905NE 01614360129 \* 04684 1967 Family Practice/General Practice

**NORWICH**

P KIELTY, VINCENT J 24 DYERS YARD NR33QY 447515409885 \* 03120 1999 Family Practice/General Practice

**ROYSTON, HERTS**

P WALLACE, BRIAN A KEFFORDS BARLEY SG88LB 441763848287 \* 15592 1977 Occupational/Industrial Medicine

**SALISBURY, WILTSHIRE**

P MORGAN, DEWI R SILVER BIRCHES, WEST GRIMSTEAD SP53RE 441722710225 \* 02978 1996 Aerospace Medicine

**SCOTLAND**

P DOYLE, DAVID 35 THORN ROAD BEARSDEN, GLASGOW G614BS 441419427438 \* 02929 1995 Dermatology

**SLOUGH, BERKSHIRE**

GIBSON, TERENCE MICH CORPORATE HEALTH LTD, BUCKINGHAM CENTRE BRADFORD ROAD SL14PG 441753781616 \* 03276 2003 Occupational/Industrial Medicine

**SURREY**

P STORK, SHEILA OLD WESTLANDS, MOUSHILL LANE GODALMING GU85BH 447979530643 \* 03065 1998 Aerospace Medicine

P EDGINGTON, KENNETH AIRPORT MEDICAL SERVICES, 35 MASSETTS ROAD HORLEY NR GATWICK RH67DQ 441293775336 \* 15839 1989 Aerospace Medicine

**WELWYN, HERTS**

P TREVARTHEN, FRANKLY 10 HERTFORD RD DIGSWELL AL60EB 441438714056 \* 02626 1992 Aerospace Medicine

**VENEZUELA****CARACAS**

SERRANO, JORGE L POLICLINICA LAS MERCEDES, PPAL. DE LAS MERCEDES AVE ANEXO A CONSULTORIO 1 A1050 582129939259 \* 03252 2002 Orthopedic Surgery

MASTRODOMENICO, RAF PO BOX 6455 1010A 582125627850 \* 11575 1993 Aerospace Medicine

**WEST INDIES****ST GEORGES, GRENADA**

P RADIX, MICHAEL A GRAND ANSE SHOPPING CENTRE, STE 1 PO BOX 1386 4734444855 \* 11737 1974 Family Practice/General Practice

**YEMEN****SANAA**

BASHA, YAHYA YAHYA BASHA'S CLINIC, ZUBAIRY ST PO BOX 2773 9671219342 \* 02877 1993 General Surgery