

Flight Procedures Cover Page	Task Action: Cancellation	Task Type: IAP	Estimated Chart Date: 12/26/2024	APWS Task ID: 5E43C4F337B9450CBAE97FFF0D9CF8C4	APWS Project ID: 790B0A21F1BC4F29A34CFC42CF9DD998
Procedure: VOR-A AMDT 9B		Enroute: NO	Specialist: Sarmiento, April		Agreement Number:
Airport ID: KCSV			Airport City: CROSSVILLE		State: TN
Facility ID:	Facility Type:	Flight Inspection Remark Type:			

Procedure Comments:
 CANCEL IAP; CANCELS NOTAM 3/4609
 CONTACT CASIMIR TABAKA (405) 954-7931

Digitally signed by
JOSEPH L ZEDER
 Oct 10, 2024



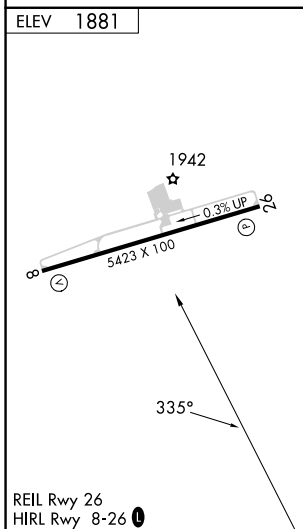
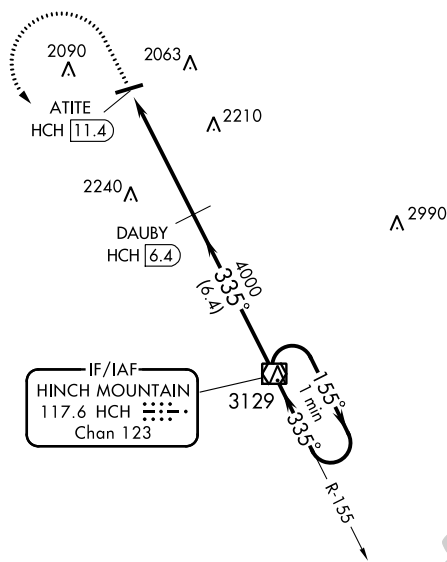
VOR/DME HCH 117.6 Chan 123	APP CRS 335°	Rwy Idg TDZE Apt Elev 1881	N/A N/A 1881
--	------------------------	---	--------------------

VOR-A

CROSSVILLE MEML-WHITSON FLD (CSV)

<p>▼ ▲ NA</p> <p>DME required.</p>	<p>MISSED APPROACH: Climb to 3000 then climbing left turn to 5000 direct HCH VOR/DME and hold.</p>
--	--

<p>ASOS 120.625</p>	<p>ATLANTA CENTER 133.6 254.3</p>	<p>UNICOM 122.7 (CTAF)</p>
--------------------------------	--	---------------------------------------



3000	5000	HCH	HCH VOR/DME	One Minute Holding Pattern
↑	↻	☐	DAUBY HCH 6.4	
ATITE HCH 11.4		4000	155° →	← 335° 5000
5 NM		6.4 NM		
CATEGORY	A	B	C	D
C CIRCLING	2340-1	459 (500-1)	2340-1½ 459 (500-1½)	2540-2 659 (700-2)

SE-1, 16 MAY 2024 to 13 JUN 2024

SE-1, 16 MAY 2024 to 13 JUN 2024