
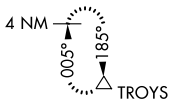


APP CRS	Rwy Idg	<b>8800</b>
<b>275°</b>	TDZE	<b>990</b>
	Apt Elev	<b>1026</b>

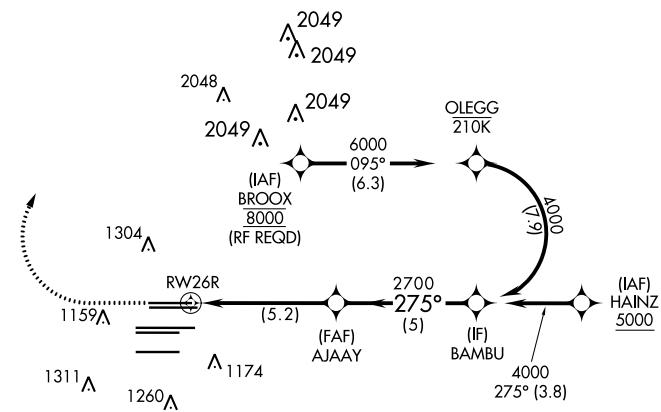
# RNAV (RNP) Z RWY 26R

HARTSFIELD-JACKSON ATLANTA INTL (ATL)

<p>For uncompensated Baro-VNAV systems, procedure NA below -8°C (18°F) or above 54°C (130°F). GPS required. Simultaneous approach authorized. Arrival from BROOX NA during simultaneous triple approaches.</p>					<p>MALSR</p> 		<p>MISSED APPROACH: Climb to 1500 then climbing right turn to 3500 direct TROYS and hold.</p>		
D-ATIS	ATLANTA APP CON	ATLANTA TOWER				ALL RWYS	GND CON		ALL RWYS
ARR <b>119.65</b>		8L-26R	8R-26L	9L-27R	9R-27L	10-28	(8L-26R,8R-26L)	(9L-27R,9R-27L)	10-28
DEP <b>125.55</b>	<b>127.9 379.9</b>	<b>119.1</b>	<b>125.325</b>	<b>123.85</b>	<b>119.3</b>	<b>119.5</b>	<b>254.4</b>	<b>121.9</b>	<b>121.75</b> <b>121.65</b> <b>254.4</b>



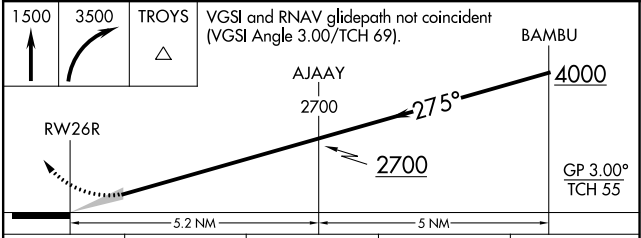
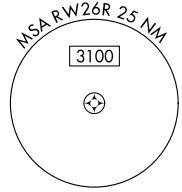
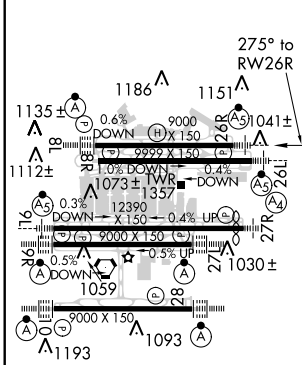
CLNC DEL	CPDLC
<b>118.1</b>	



SE-4, 06 DEC 2018 to 03 JAN 2019

SE-4, 06 DEC 2018 to 03 JAN 2019

ELEV 1026	<b>D</b>	TDZE 990
-----------	----------	----------



CATEGORY	A	B	C	D
RNP 0.30 DA	1402/45		412 (400-1)	

HIRL all Rwys  
TDZ/ CL Rwys 8L, 9R,  
10, 26R, 27L and 28

ATLANTA, GEORGIA  
Amdt 1 12OCT17

33°38'N-84°26'W

HARTSFIELD-JACKSON ATLANTA INTL (ATL)  
**RNAV (RNP) Z RWY 26R**

**AUTHORIZATION REQUIRED**