

WAAS CH 40399 W10A	APP CRS 095°	Rwy Idg TDZE Apt Elev	9000 1000 1026
--	------------------------	-----------------------------	---

RNAV (GPS) Y RWY 10

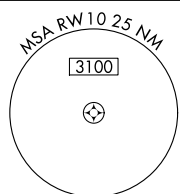
HARTSFIELD-JACKSON ATLANTA INTL (ATL)

▼ For uncompensated Baro-VNAV systems, LNAV/VNAV NA below -7°C (20°F) or above 54°C (130°F). DME/DME-0.3 RNP NA. For inop ALSF-2, increase LNAV/VNAV all Cats visibility to 1½ mile and LNAV Cats C and D visibility to 1¾ mile. LNAV procedure NA during simultaneous operations. Simultaneous approach authorized with Rwy 8L or 8R or 9L, or Rwy 8L and 9L. Use of FD or AP providing RNAV track guidance required during simultaneous operations.



MISSED APPROACH: Climb to 1500 then climbing right turn to 3000 direct SCARR and hold.

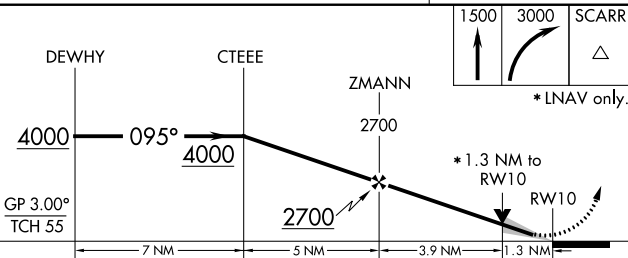
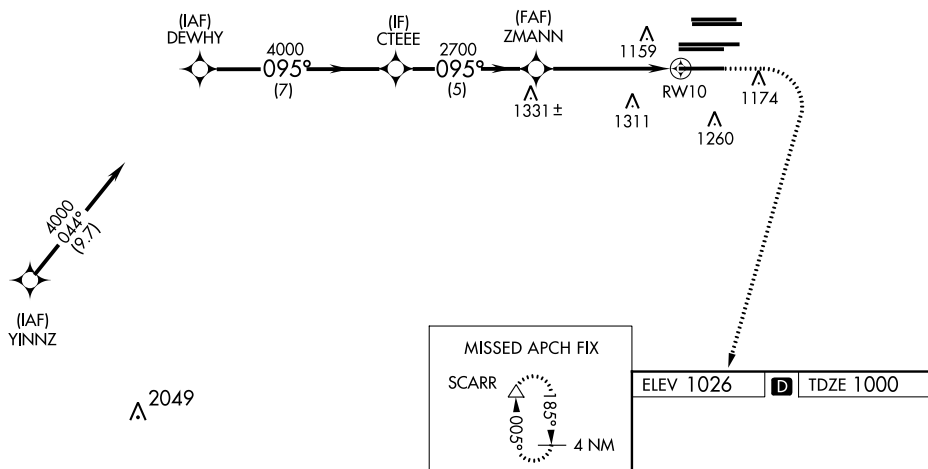
D-ATIS ARR 119.65 DEP 125.55	ATLANTA APP CON 127.9 379.9	ATLANTA TOWER 8L-26R 8R-26L 9L-27R 9R-27L 119.1 125.325 123.85 119.3 119.5 254.4	ALL RWYS 121.9	GND CON (8L-26R,8R-26L) (9L-27R,9R-27L) 121.75 121.65 254.4	ALL RWYS 121.75 121.65 254.4
--	--	---	-----------------------------	--	---



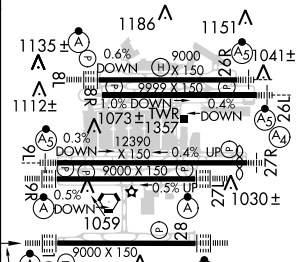
RADAR REQUIRED

2048 Δ

CLNC DEL	CPDLC
118.1	



ELEV 1026	D	TDZE 1000
-----------	----------	-----------



CATEGORY	A	B	C	D
LPV DA		1200/18	200 (200-½)	
LNAV/VNAV DA		1455/55	455 (500-1)	
LNAV MDA	1480/24	480 (500-½)	1480/50	480 (500-1)

095° to RWY 10

HIRL all Rwy's
TDZ/CL Rwy's 8L, 9R, 10, 26R, 27L and 28

SE-4, 06 DEC 2018 to 03 JAN 2019

SE-4, 06 DEC 2018 to 03 JAN 2019