

LOC/DME I-JAV 110.5 Chan 42	APP CRS 093°	Rwy Idg TDZE Apt Elev 7709 660 680
---	------------------------	--

ILS or LOC RWY 9R

CHICAGO O'HARE INTL (ORD)

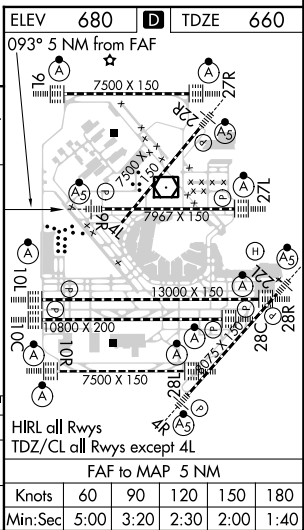
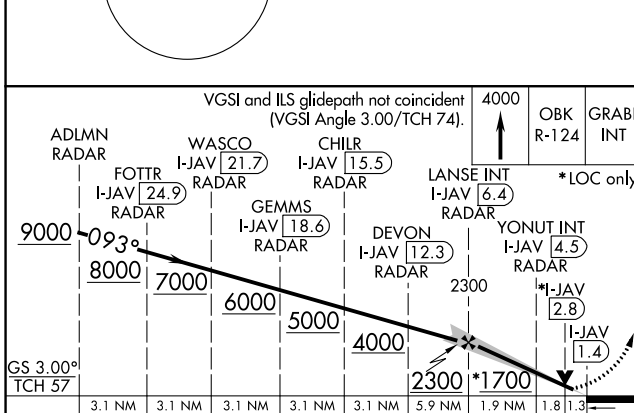
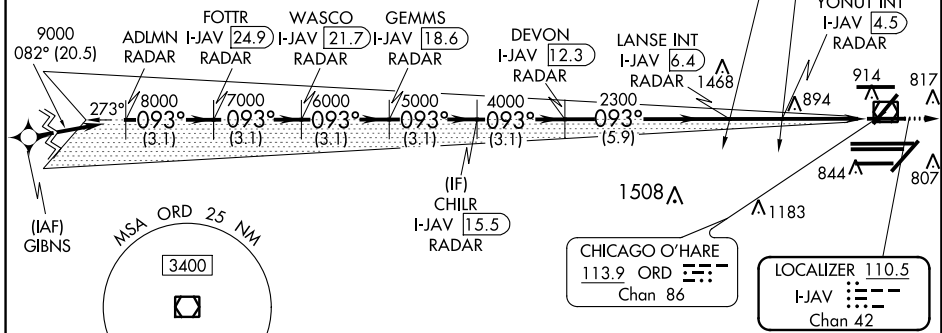
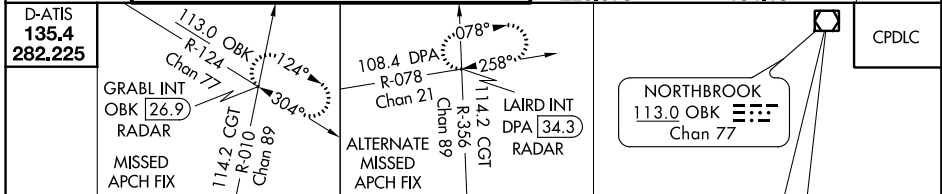
RNAV 1-GPS or Radar required for Procedure Entry. DME or RADAR required.



MISSED APPROACH: Climb to 4000 on OBK VOR/DME R-124 to GRABL INT/OBK 26.9 DME/RADAR and hold.

Simultaneous approach authorized. For inop ALS, increase S-LOC 9R Cat C/D visibility to 1 1/2 SM.

CHICAGO APP CON 119.0 393.1	O'HARE TOWERS 128.15 348.0 (Rwy 9L/27R) 133.0 348.0 (10R/28L) 126.9 348.0 (CENTER)	GND CON (TWR CENTER) 124.125 (TWR NORTH) 121.75 (OBND) 118.05 (TWR SOUTH) 121.9 (IBND) 226.675 (ALL TWRS) 134.15	CLNC DEL 121.6
---------------------------------------	--	---	--------------------------



CATEGORY	A	B	C	D
S-ILS 9R	860/18		200 (200-1/2)	
S-LOC 9R	1160/24		500 (500-1/2)	