

WAAS CH 99508 W09B	APP CRS 093°	Rwy ldg 7500 TDZE 668 Apt Elev 680
--	------------------------	---

RNAV (GPS) RWY 9L

CHICAGO O'HARE INTL (ORD)

▽ For uncompensated Baro-VNAV systems, LNAV/VNAV NA below -1°C (-2°F) or above 54°C (130°F). Simultaneous approach authorized. DME/DME RNP-0.3 NA. LNAV procedure NA during simultaneous operations. Use of FD or AP providing RNAV track guidance required during simultaneous operations. For inop ALSF, increase LNAV/VNAV all Cats visibility to RVR 5000 and LNAV Cats C/D visibility to RVR 6000.

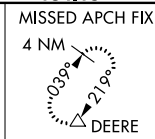


MISSED APPROACH:
Climb to 1100 then climbing left turn to 4000 direct DEERE and hold.

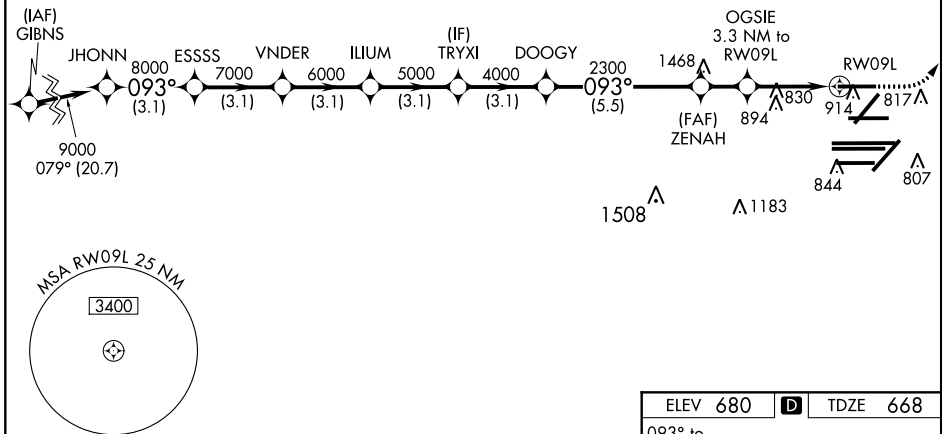
CHICAGO APP CON 119.0 393.1	O'HARE TOWERS 128.15 348.0 (Rwy 9L/27R) 133.0 348.0 (10R/28L) 120.75 121.15 126.9 132.7 348.0 (CENTER)	GND CON (TWR CENTER) 124.125 (TWR NORTH) 121.75 (OBND) 118.05 (TWR SOUTH) 121.9 (BND) 226.675 (ALL TWRS) 134.15	CLNC DEL 121.6
---------------------------------------	--	--	--------------------------

D-ATIS 135.4 282.225
--

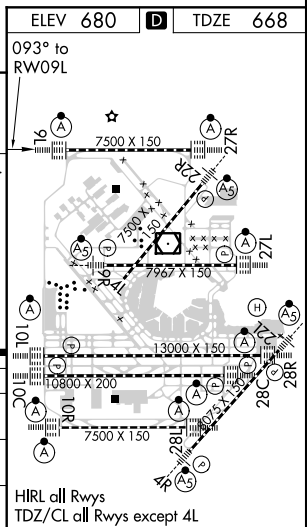
RADAR REQUIRED



CPDLC



	JHONN	ESSSS	VNDER	ILIUM	TRYXI	DOOGY	ZENAH	OGSIE	RW09L
	9000	8000	7000	6000	5000	4000	2300	3.3 NM to RW09L	
	3.1 NM	3.1 NM	3.1 NM	3.1 NM	3.1 NM	5.5 NM	1.7 NM	2.2	1.1
CATEGORY	A		B			C		D	
LPV DA			868/18			200 (200-½)			
LNAV/VNAV DA			989/30			321 (400-¾)			
LNAV MDA	1080/24		412 (500-½)			1080/40		412 (500-¾)	



EC-3, 06 DEC 2018 to 03 JAN 2019

EC-3, 06 DEC 2018 to 03 JAN 2019