

LOC/DME I-TSL 111.1 Chan 48	APP CRS 273°	Rwy ldg 13000 TDZE 651 Apt Elev 680
---	------------------------	--

ILS RWY 28R (SA CAT I)

CHICAGO-O'HARE INTL (ORD)

From VOGLR: RNAV 1-GPS required.
Aircraft not GPS equipped - RADAR required for procedure entry.
DME or RADAR required.
Simultaneous approach authorized. Requires specific OPSPEC, MSPEC, or LOA approval and use of HUD to DH.

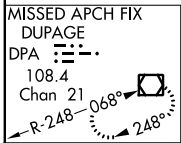
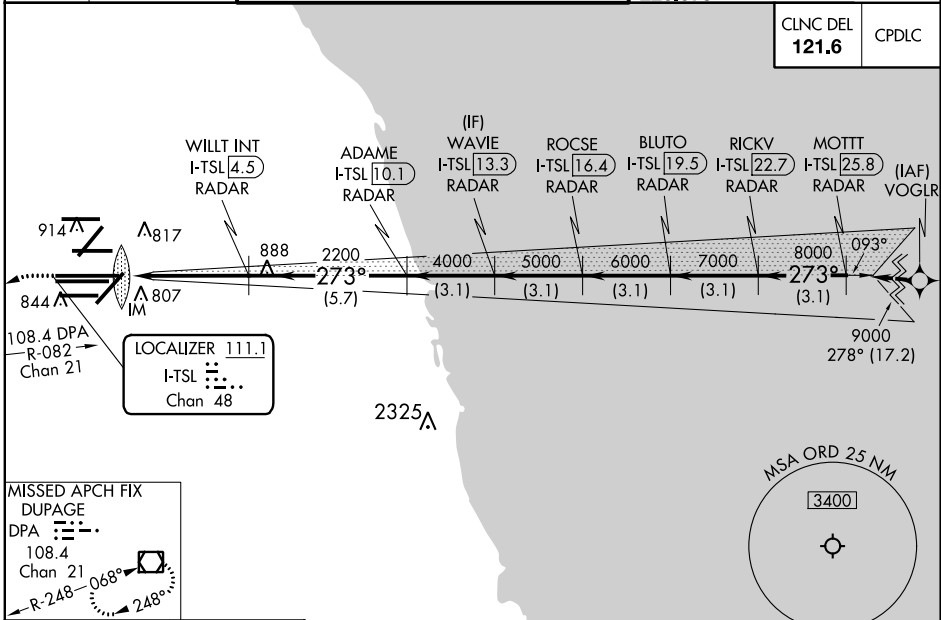
ALSIF-2



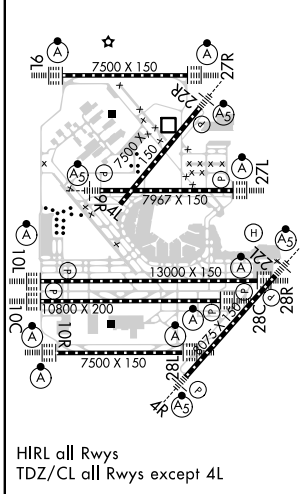
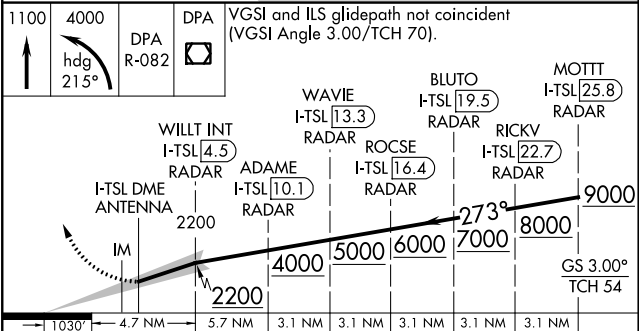
MISSED APPROACH: Climb to 1100 then climbing left turn to 4000 on heading 215° and DPA VOR/DME R-082 to DPA VOR/DME and hold.

D-ATIS 135.4 282.225	CHICAGO APP CON 119.0 292.125	O'HARE TOWERS 128.15 348.0 (Rwy 9L/27R) 133.0 348.0 (10R/28L) 120.75 121.15 126.9 132.7 348.0 (CENTER)	GND CON (TWR NORTH) 124.125 (TWR SOUTH) 118.05 (ALL TWRs) 226.675	(TWR CENTER) 121.75 (OBND) (IBND) 121.9
--	---	--	---	--

CLNC DEL 121.6	CPDLC
--------------------------	-------



ELEV 680	D	TDZE 651
-----------------	----------	-----------------



CATEGORY	A	B	C	D
S-ILS 28R	RA 161/14 150 DA 801			

SA CATEGORY I ILS-SPECIAL AIRCREW & AIRCRAFT CERTIFICATION REQUIRED