


LOC/DME I-JAV 110.5 Chan 42	APP CRS 093°	Rwy Idg TDZE Apt Elev 7709 660 680
--	------------------------	--

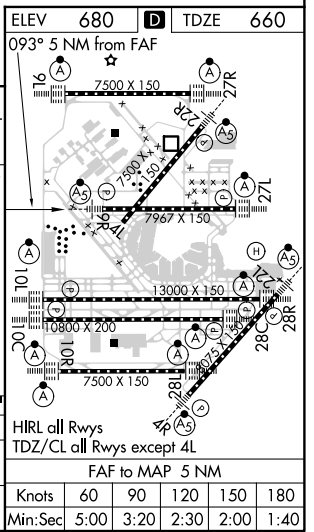
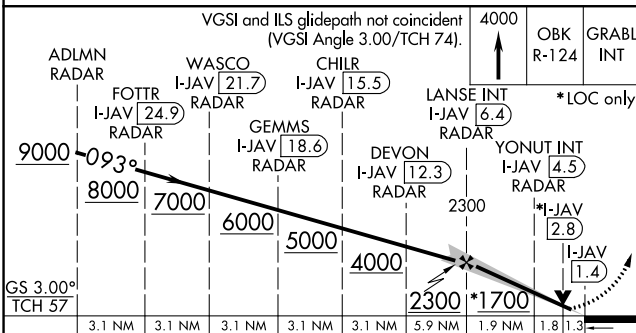
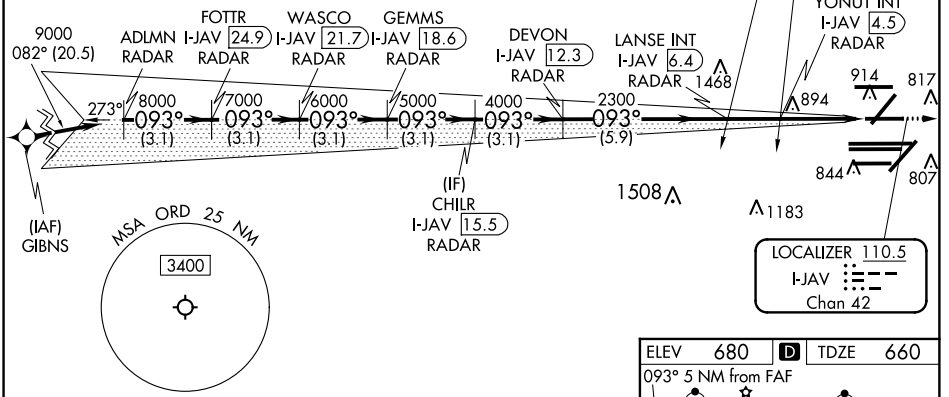
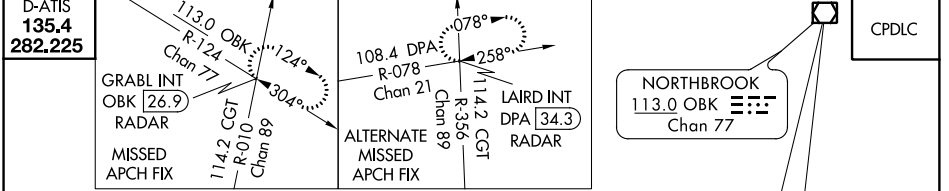
ILS or LOC RWY 9R

CHICAGO O'HARE INTL (ORD)

From GIBNS: RNAV 1-GPS required. RADAR or DME required.
Aircraft not GPS equipped: RADAR required for procedure entry.
Simultaneous approach authorized.
For inop ALS, increase S-LOC 9R Cat C/D visibility to 1 1/2 SM.

MALSR  MISSED APPROACH: Climb to 4000 on OBK VOR/DME R-124 to GRABL INT/OBK 26.9 DME/RADAR and hold.

CHICAGO APP CON 119.0 292.125	O'HARE TOWERS 128.15 348.0 (Rwy 9L/27R) 126.9 132.7 348.0 (10R/28L) 126.9 132.7 348.0 (CENTER)	GND CON (TWR CENTER) (TWR NORTH) 124.125 (TWR SOUTH) 118.05 226.675 (ALL TWRs)	(TWR CENTER) 121.75 (OBND) 121.9 (IBND)	CLNC DEL 121.6
---	--	--	--	--------------------------



CATEGORY	A	B	C	D
S-ILS 9R	860/18		200 (200-1/2)	
S-LOC 9R	1160/24		500 (500-1/2)	

EC-3, 31 JAN 2019 to 28 FEB 2019

EC-3, 31 JAN 2019 to 28 FEB 2019