

VORTAC SLN 117.1 Chan 118	APP CRS 087°	Rwy Idg TDZE Apt Elev N/A N/A 1153
---	------------------------	--

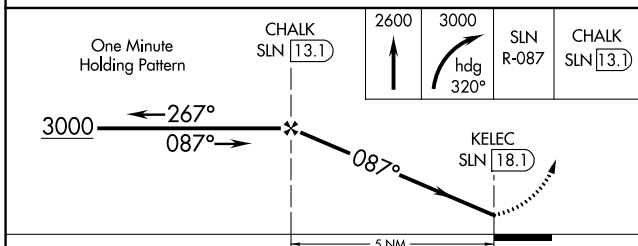
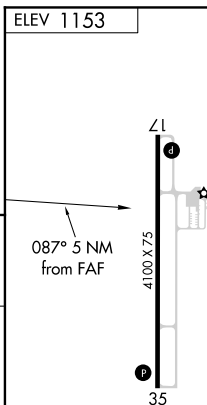
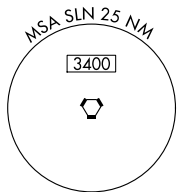
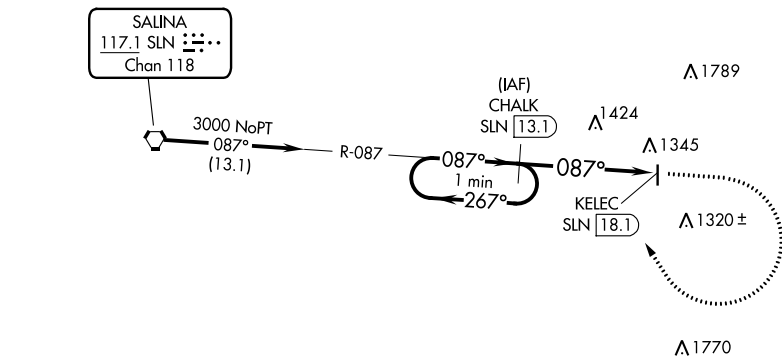
VOR-A
ABILENE MUNI (K78)

▼ DME required. When local altimeter setting not received, use Salina altimeter setting. Rwy 17 helicopter visibility reduction below 1 SM NA. Circling Rwy 17 NA at night.
▲ MISSED APPROACH: Climb to 2600 then climbing right turn to 3000 on heading 320° and SLN VORTAC R-087 to CHALK/13.1 DME and hold.

AWOS-3 124.125	MARSHALL GCA ★ 121.25 254.35	UNICOM 122.8 (CTAF) ①
--------------------------	--	---------------------------------

DME REQUIRED

▲ 2398



CATEGORY	A	B	C	D
① CIRCLING	1760-1	607 (700-1)	1980-2½ 827 (900-2½)	NA

REIL Rwys 17 and 35 ①
MIRL Rwy 17-35 ①

NC-2, 15 AUG 2019 to 12 SEP 2019

NC-2, 15 AUG 2019 to 12 SEP 2019