

ATLANTA, GEORGIA

AL-26 (FAA)

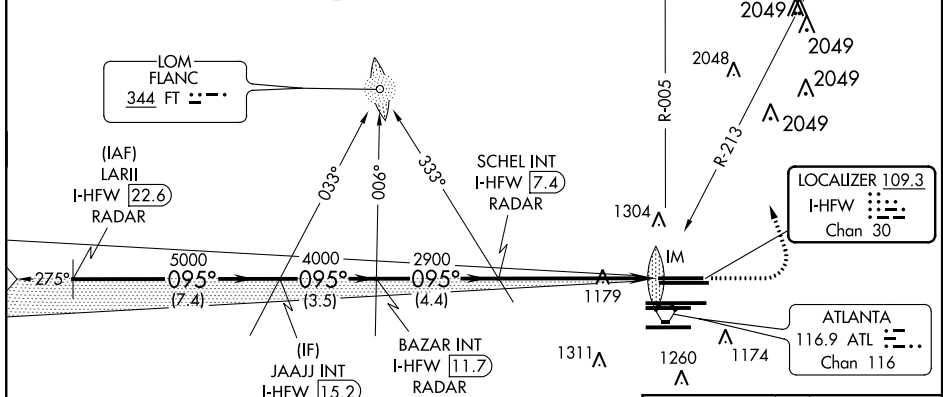
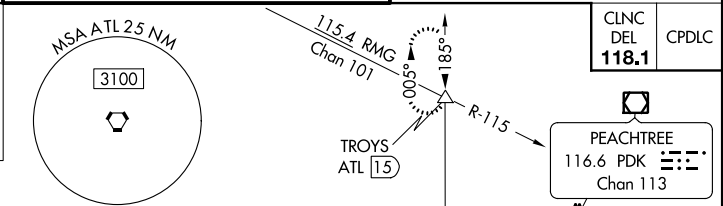
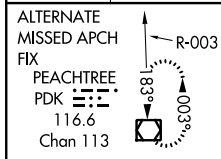
ILS PRM RWY 8L (SA CAT I) (SIMULTANEOUS CLOSE PARALLEL) HARTSFIELD-JACKSON ATLANTA INTL (ATL)

LOC/DME I-HFW 109.3 Chan 30	APP CRS 095°	Rwy Idg TDZE Apt Elev	8800 1015 1026
---	------------------------	-----------------------------	---

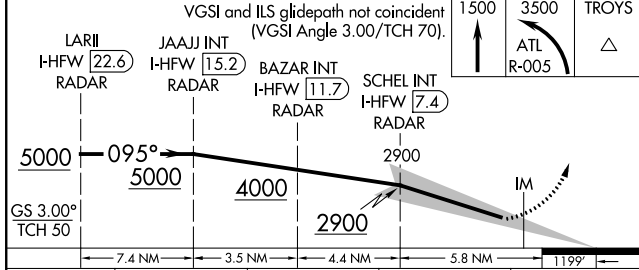
Simultaneous close parallel approach authorized with ILS PRM and RNAV PRM Rwy 9L or 9R or 10, or Rwys 9L and 10, or Rwys 9R and 10. Procedure not authorized when glide slope not available. Dual VHF comm required. See additional requirements on AAUP. ADF or DME or RADAR required. Requires specific OPSPEC, MSPEC, or LOA approval and use of HUD to DH.

ALSF-2
MISSED APPROACH: Climb to 1500 then climbing left turn to 3500 on ATL VORTAC R-005 to TROYS INT/ATL 15 DME and hold.

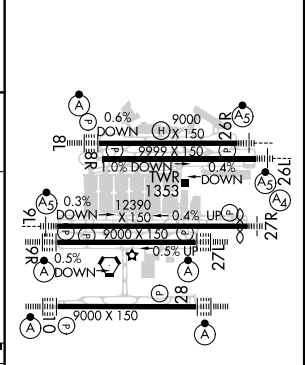
D-ATIS ARR 119.65 DEP 125.55	ATLANTA APP CON 127.9 379.9	ATLANTA TOWER 8L-26R 8R-26L 9L-27R 9R-27L 10-28 RWYS 119.1 125.325 123.85 119.3 119.5 254.4 PRM 126.9	ALL RWYS 121.9	GND CON (8L-26R,8R-26L) (9L-27R,9R-27L) 10-28 RWYS 121.75 121.65 254.4
--	--	--	-----------------------------	---



RADAR REQUIRED



ELEV 1026	TDZE 1015
-----------	-----------



CATEGORY	A	B	C	D
S-ILS 8L	RA 147/14 150 DA 1165			

SA CATEGORY I ILS - SPECIAL AIRCREW & AIRCRAFT CERTIFICATION REQUIRED

HIRL all Rws
TDZ/CL Rws 8L, 9R, 10, 26R, 27L and 28

SE-4, 10 OCT 2019 to 07 NOV 2019

SE-4, 10 OCT 2019 to 07 NOV 2019