

WAAS CH 99508 W09B	APP CRS 093°	Rwy ldg 7500 TDZE 668 Apt Elev 680
--	------------------------	---

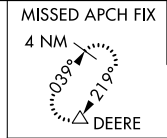
RNAV (GPS) RWY 9L

CHICAGO O'HARE INTL (ORD)

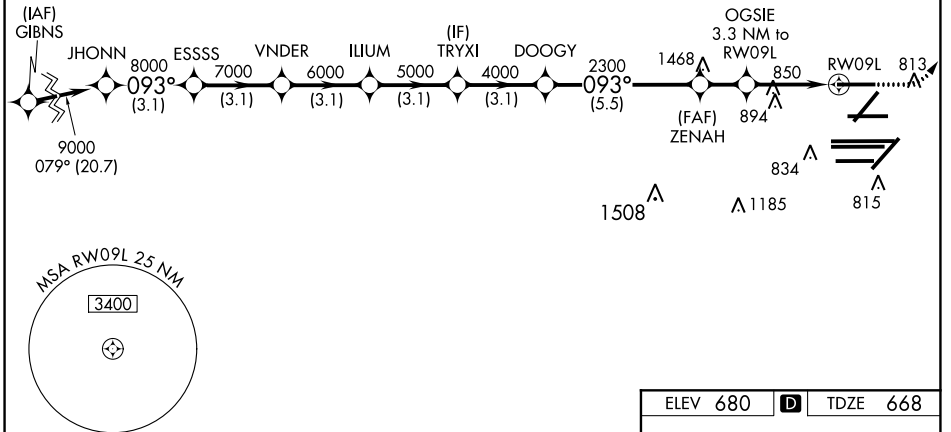
RNP APCH. RADAR required for procedure entry.		ALSIF-2 	MISSED APPROACH: Climb to 1100 then climbing left turn to 4000 direct DEERE and hold.
<p>For uncompensated Baro-VNAV systems, procedure NA below -19°C or above 54°C. Simultaneous approach authorized. LNAV procedure NA during simultaneous operations. Use of FD or AP providing RNAV track guidance required during simultaneous operations.</p>			

CHICAGO APP CON 119.0 292.125	O'HARE TOWERS 128.15 348.0 (Rwy 9L/27R) 133.0 348.0 (10R/28L) 120.75 121.15 126.9 132.7 348.0 (CENTER)	GND CON 124.125 (TWR NORTH) 118.05 (TWR SOUTH) 226.675 (ALL TWRS)	(TWR CENTER) 121.75 (OBND) 121.9 (IBND)	CLNC DEL 121.6
---	--	---	--	--------------------------

D-ATIS 135.4 282.225
--

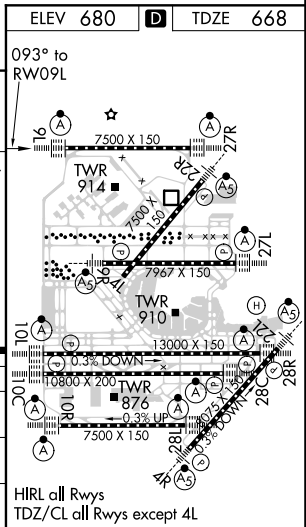
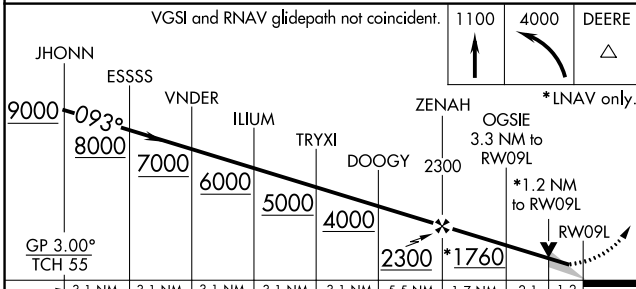


CPDLC



EC-3, 16 JUL 2020 to 13 AUG 2020

EC-3, 16 JUL 2020 to 13 AUG 2020



CATEGORY	A	B	C	D
LPV DA	868/18		200 (200-½)	
LNAV/VNAV DA	1098/40		430 (500-¾)	
LNAV MDA	1100/24	432 (500-½)	1100/40	432 (500-¾)