

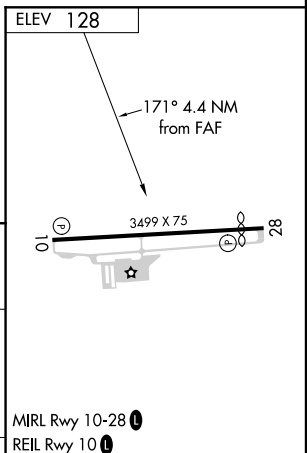
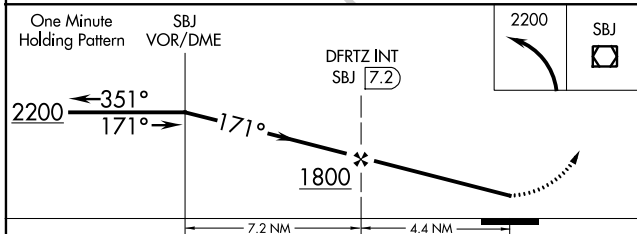
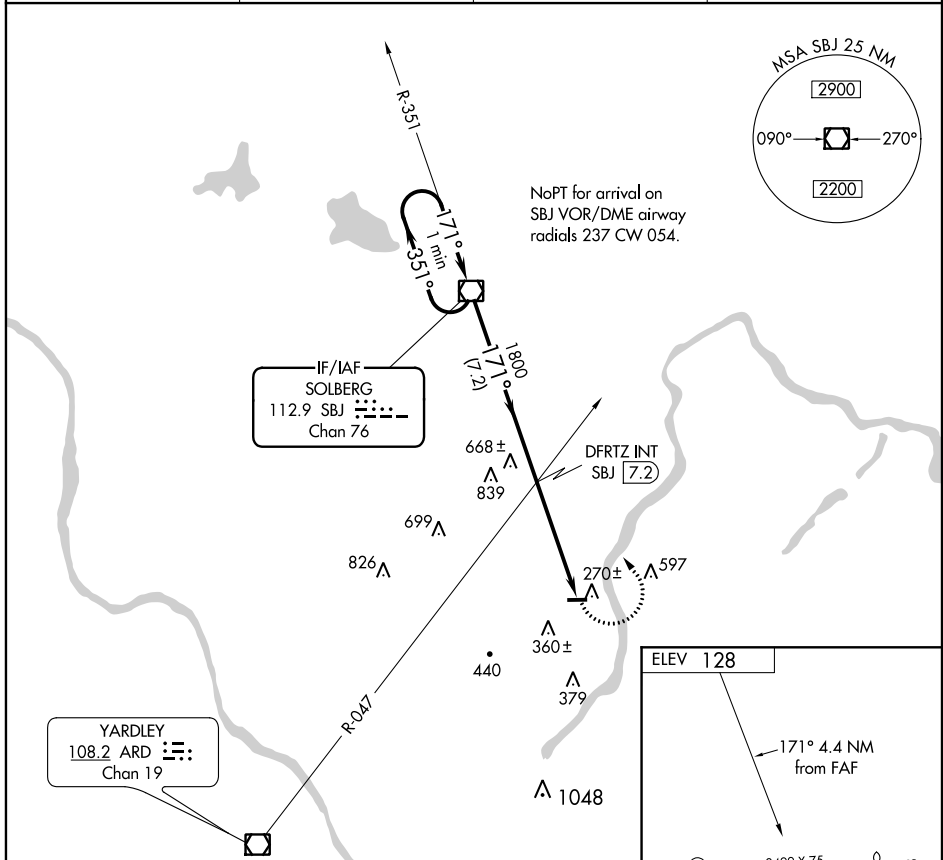
VOR/DME SBJ 112.9 Chan 76	APP CRS 171°	Rwy Idg TDZE Apt Elev	N/A N/A 128
---	------------------------	-----------------------------	--

VOR-A
PRINCETON (39N)

▼ Use Trenton Mercer altimeter setting, if not received use Somerset altimeter setting. Procedure NA at night.
 ▲ NA Helicopter visibility reduction below 1 SM NA.

MISSED APPROACH: Climbing left turn to 2200 direct SBJ VOR/DME and hold.

TTN ASOS 126.775	NEW YORK APP CON 132.8 379.9	UNICOM 122.725 (CTAF)	123.05 0
----------------------------	--	---------------------------------	-----------------



CATEGORY	A	B	C	D	
CIRCLING	960-1 832 (900-1)	960-1¼ 832 (900-1¼)	NA		
FAF to MAP 4.4 NM					
Knots	60	90	120	150	180
Min:Sec	4:24	2:56	2:12	1:46	1:28

NE-2, 16 JUL 2020 to 13 AUG 2020

NE-2, 16 JUL 2020 to 13 AUG 2020