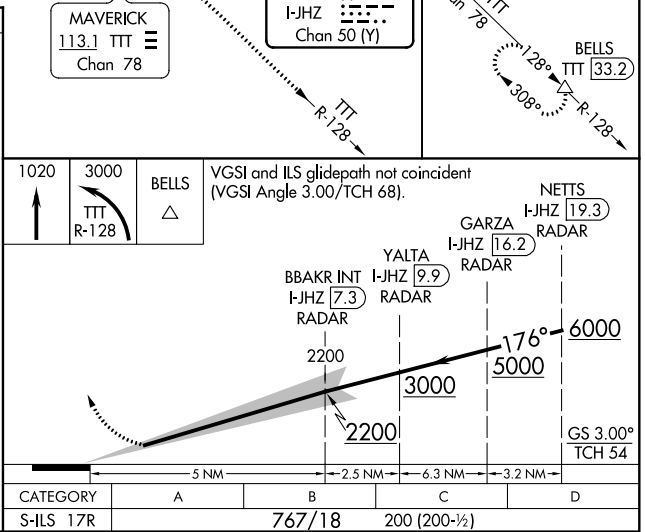
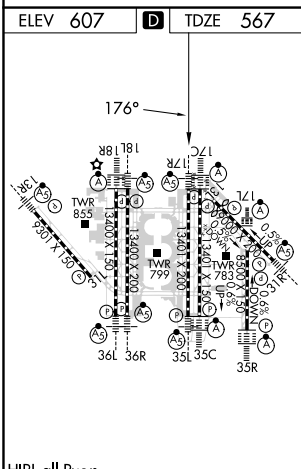
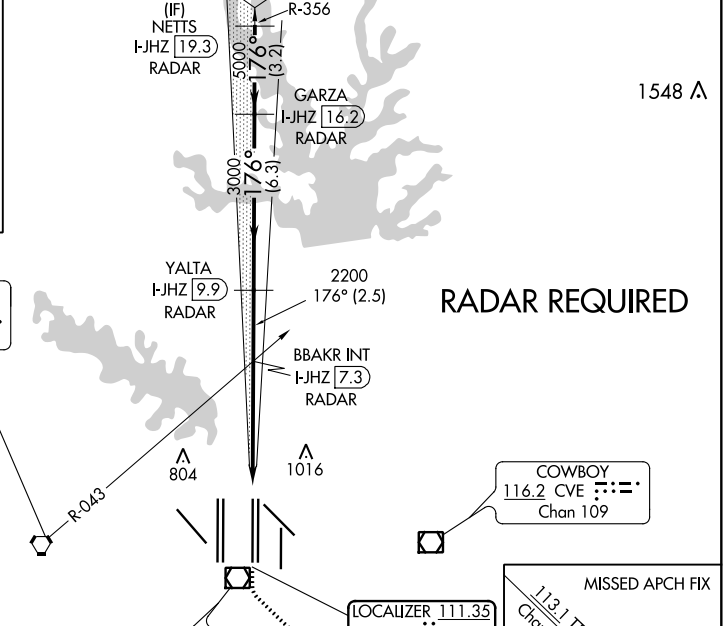
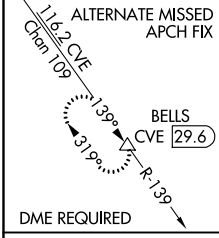


LOC/DME I-JHZ 111.35 Chan 50 (Y)	APP CRS 176°	Rwy Idg 13401 TDZE 567 Apt Elev 607
---	------------------------	---

CONVERGING ILS RWY 17R

DALLAS-FORT WORTH INTL (DFW)

▼ DME or RADAR required. Simultaneous approach authorized with Converging ILS Rwy 13R.			MALSR 	MISSED APPROACH: Climb to 1020 then climbing left turn to 3000 on TTT VOR/DME R-128 to BELLS INT/TTT 33.2 DME and hold.		
D-ATIS ARR 123.775 DEP 135.925	REGIONAL APP CON 127.075	DFW TOWER 126.55 127.5 EAST 124.15 134.9 WEST		GND CON 121.65 121.8 EAST 121.85 WEST	CLNC DEL 128.25	CPDLC



CATEGORY	A	B	C	D
S-ILS 17R	767/18		200 (200-½)	

CONVERGING ILS RWY 17R

SC-2, 16 JUL 2020 to 13 AUG 2020

SC-2, 16 JUL 2020 to 13 AUG 2020