

WAAS CH 99508 W09B	APP CRS 093°	Rwy ldg 7500 TDZE 668 Apt Elev 680
--	------------------------	---

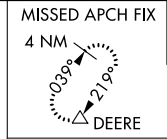
RNAV (GPS) RWY 9L

CHICAGO O'HARE INTL (ORD)

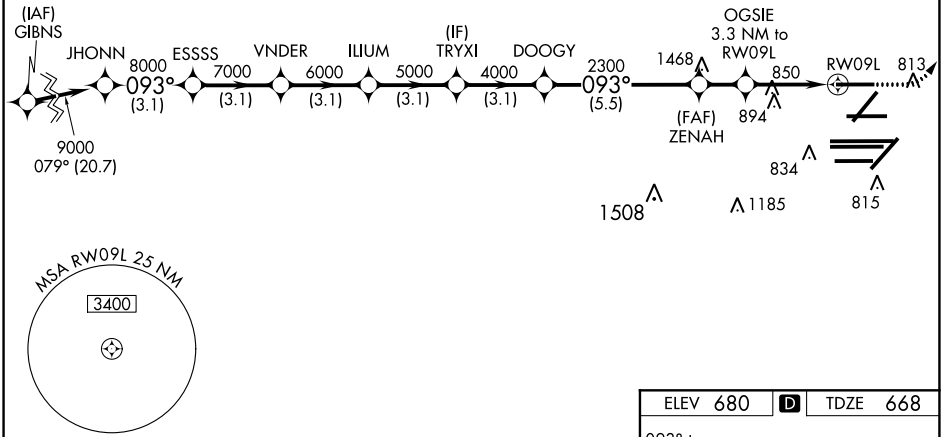
RNP APCH. RADAR required for procedure entry.	ALSF-2 	MISSED APPROACH: Climb to 1100 then climbing left turn to 4000 direct DEERE and hold.
<p>For uncompensated Baro-VNAV systems, procedure NA below -19°C or above 54°C. Simultaneous approach authorized. LNAV procedure NA during simultaneous operations. Use of FD or AP providing RNAV track guidance required during simultaneous operations.</p>		

CHICAGO APP CON 119.0 292.125	O'HARE TOWERS 128.15 348.0 (Rwy 9L/27R) 133.0 348.0 (10R/28L) 120.75 121.15 126.9 132.7 348.0 (CENTER)	GND CON 124.125 (TWR NORTH) 118.05 (TWR SOUTH) 226.675 (ALL TWRS)	(TWR CENTER) 121.75 (OBND) 121.9 (IBND)	CLNC DEL 121.6
---	--	---	--	--------------------------

D-ATIS 135.4 282.225
--



CPDLC



EC-3, 10 SEP 2020 to 08 OCT 2020

EC-3, 10 SEP 2020 to 08 OCT 2020

VGSI and RNAV glidepath not coincident.

JHONN	ESSSS	VNDER	ILIUM	TRYXI	DOOGY	ZENAH	OGSIE	RW09L
9000	8000	7000	6000	5000	4000	2300	1760	
GP 3.00° TCH 55								
3.1 NM	3.1 NM	3.1 NM	3.1 NM	3.1 NM	5.5 NM	1.7 NM	2.1 NM	1.2 NM
CATEGORY	A		B		C		D	
LPV DA	868/18		200 (200-½)					
LNAV/VNAV DA	1098/40		430 (500-¾)					
LNAV MDA	1100/24		432 (500-½)		1100/40		432 (500-¾)	

