

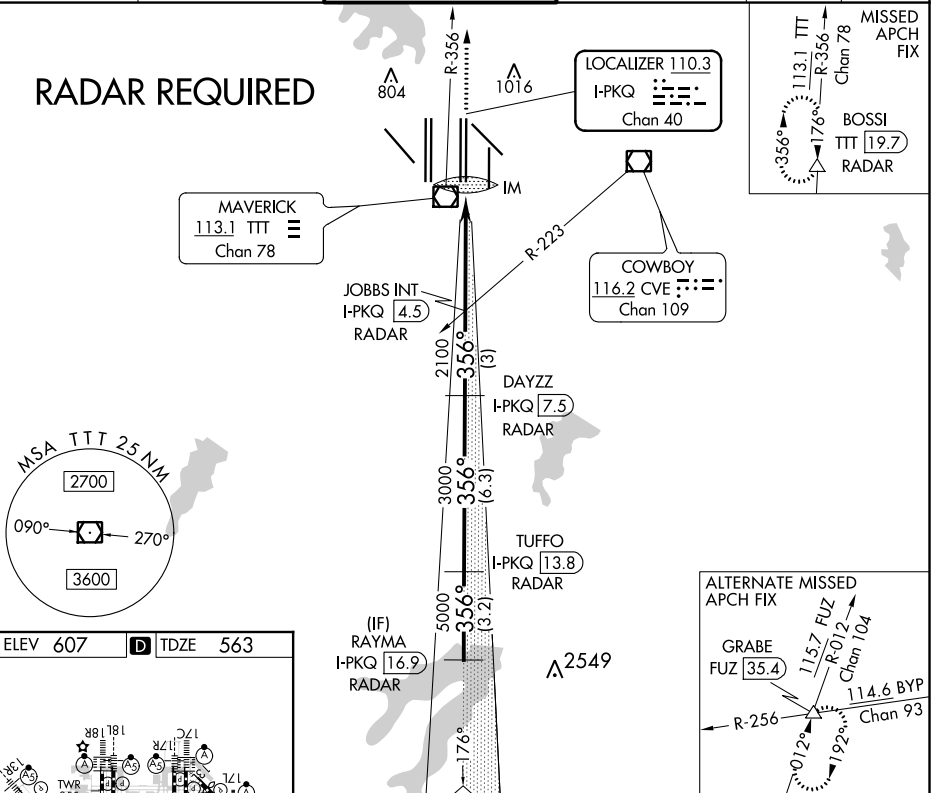
LOC/DME I-PKQ 110.3 Chan 40	APP CRS 356°	Rwy Idg TDZE Apt Elev	13400 563 607
--	------------------------	-----------------------------	--

CONVERGING ILS RWY 35C

DALLAS-FORT WORTH INTL (DFW)

DME or RADAR required. Simultaneous approach authorized with Converging ILS Rwy 31R.		ALSF-2 	MISSED APPROACH: Climb to 3000 on TTT VOR/DME R-356 to BOSSI/TTT 19.7 DME/RADAR and hold.		
D-ATIS ARR 123.775 DEP 135.925	REGIONAL APP CON 127.075	DFW TOWER 126.55 127.5 EAST 124.15 134.9 WEST	GND CON 121.65 121.8 EAST 121.85 WEST	CLNC DEL 128.25	CPDLC

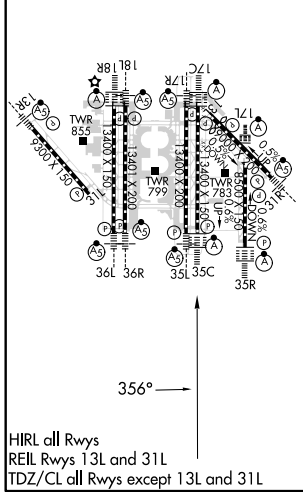
RADAR REQUIRED



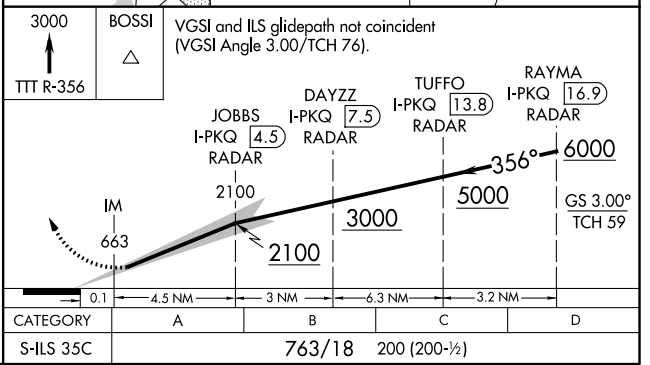
SC-2, 10 SEP 2020 to 08 OCT 2020

SC-2, 10 SEP 2020 to 08 OCT 2020

ELEV 607		TDZE 563
----------	--	----------



HIRL all Rws
REIL Rws 13L and 31L
TDZ/CL all Rws except 13L and 31L



CATEGORY	A	B	C	D
S-ILS 35C	763/18 200 (200-1/2)			