

WAAS CH <b>99508</b> <b>W09B</b>	APP CRS <b>093°</b>	Rwy ldg <b>7500</b> TDZE <b>668</b> Apt Elev <b>680</b>
--	------------------------	---

# RNAV (GPS) RWY 9L

CHICAGO O'HARE INTL (ORD)

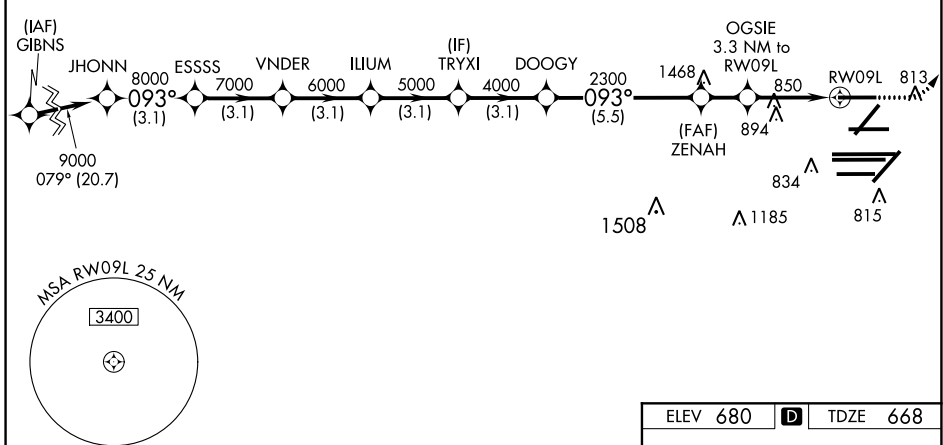
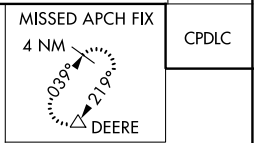
RNP APCH. RADAR required for procedure entry.

For uncompensated Baro-VNAV systems, procedure NA below -19°C or above 54°C. Simultaneous approach authorized. LNAV procedure NA during simultaneous operations. Use of FD or AP providing RNAV track guidance required during simultaneous operations.

ALSIF-2  
MISSED APPROACH: Climb to 1100 then climbing left turn to 4000 direct DEERE and hold.

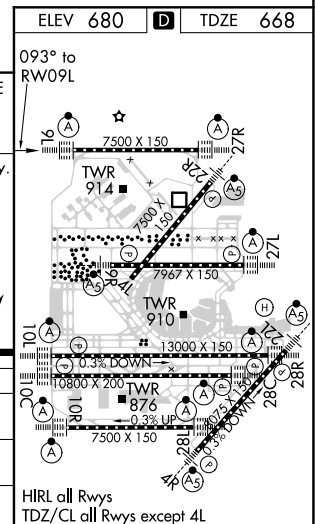
CHICAGO APP CON <b>119.0 292.125</b>	O'HARE TOWERS <b>128.15 348.0</b> (Rwy 9L/27R) <b>133.0 348.0</b> (10R/28L) <b>120.75 121.15 126.9 132.7 348.0</b> (CENTER)	GND CON <b>124.125</b> (TWR NORTH) <b>118.05</b> (TWR SOUTH) <b>226.675</b> (ALL TWRS)	(TWR CENTER) <b>121.75</b> (OBND) <b>121.9</b> (IBND)	CLNC DEL <b>121.6</b>
---	--	---	--	--------------------------

D-ATIS  
**135.4**  
**282.225**



VGSI and RNAV glidepath not coincident.

JHONN	ESSSS	VNDER	ILIUM	TRYXI	DOOGY	ZENAH	OGSIE	RWY 9L
9000	8000	7000	6000	5000	4000	2300	1760	
3.1 NM	3.1 NM	3.1 NM	3.1 NM	3.1 NM	5.5 NM	1.7 NM	2.1 NM	1.2 NM
GP 3.00° TCH 55								
CATEGORY	A		B		C		D	
LPV DA	868/18		200 (200-½)					
LNAV/VNAV DA	1098/40		430 (500-¾)					
LNAV MDA	1100/24		432 (500-½)		1100/40		432 (500-¾)	



EC-3, 08 OCT 2020 to 05 NOV 2020

EC-3, 08 OCT 2020 to 05 NOV 2020