

LOC/DME I-FNPP 110.75 Chan 44(Y)	APP CRS 281°	Rwy Idg TDZE Apt Elev	11236 13 13
---	------------------------	-----------------------------	--

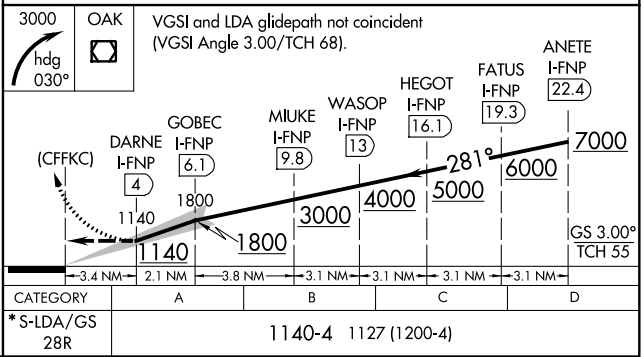
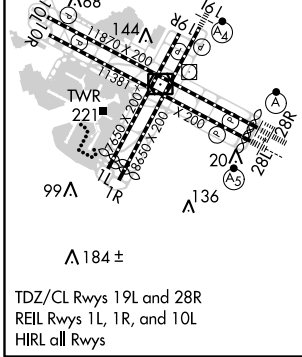
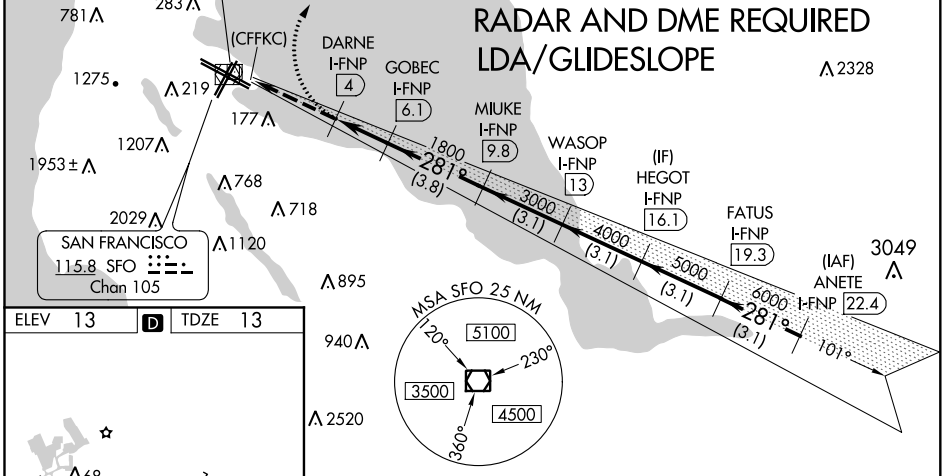
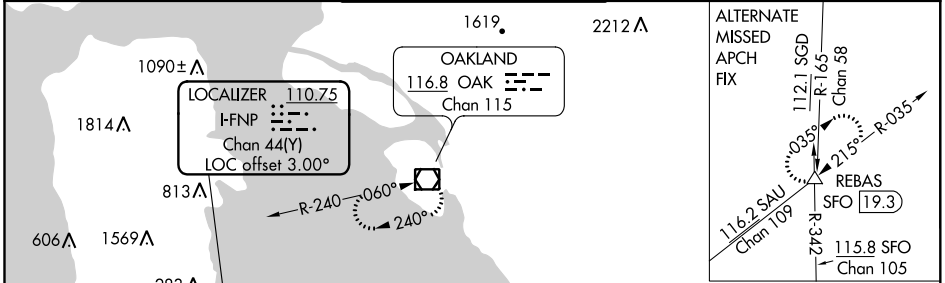
LDA/DME RWY 28R

SAN FRANCISCO INTL (SFO)

NA Inoperative table does not apply. Runway 28L and 28R separated by 750 feet centerline to centerline. Localizer course 1183° right of Rwy 28R threshold. Procedure NA when glideslope not available.
 *If go around executed after passing DARNÉ, go around requires minimum climb of 380 feet per NM to 1800.

ALSF-2
MISSED APPROACH: Climbing right turn to 3000 on heading 030° then direct OAK VOR/DME and hold.

D-ATIS 113.7 115.8 118.85	NORCAL APP CON 134.5 338.2	SAN FRANCISCO TOWER 120.5 269.1	GND CON 121.8	CLNC DEL 118.2	CPDLC
---	--------------------------------------	---	-------------------------	--------------------------	-------



SW-2, 08 OCT 2020 to 05 NOV 2020

SW-2, 08 OCT 2020 to 05 NOV 2020