

LOC/DME I-LWN 109.5 Chan 32	APP CRS 135°	Rwy Idg TDZE Apt Elev	9300 591 607
--	------------------------	-----------------------------	---

CONVERGING ILS RWY 13R

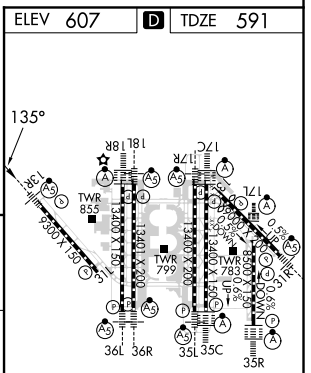
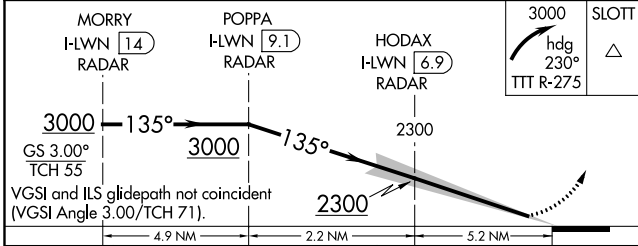
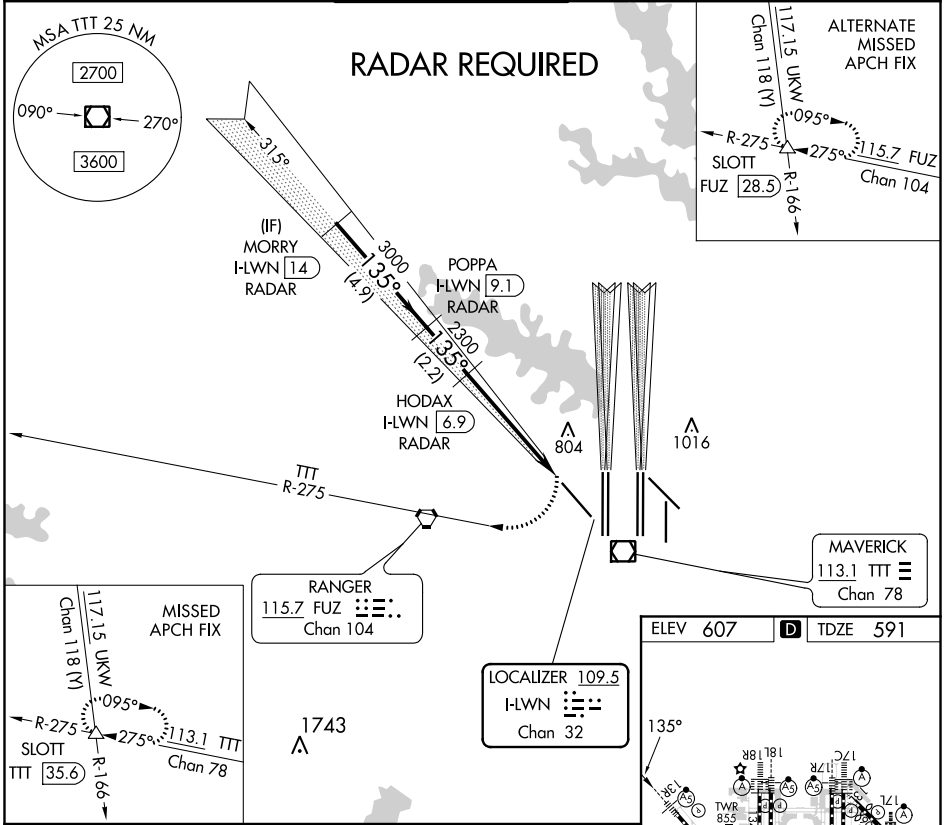
DALLAS-FORT WORTH INTL (DFW)

⚠ Simultaneous converging approach authorized with Converging ILS Rwy 18L/R and Converging ILS Rwy 17C/R. For inop MALSR, increase ILS 13R all Cats visibility to 2 $\frac{3}{4}$.



MISSED APPROACH: Climbing right turn to 3000 on heading 230° and TTT VOR/DME R-275 to SLOTT/TTT 35.6 DME and hold.

D-ATIS ARR 123.775 DEP 135.925	REGIONAL APP CON 133.15 118.1	DFW TOWER 126.55 127.5 EAST 124.15 134.9 WEST	GND CON 121.65 121.8 EAST 121.85 WEST	CLNC DEL 128.25	CPDLC
--	---	---	---	---------------------------	-------



CATEGORY	A	B	C	D
S-ILS 13R	1401-2 $\frac{1}{2}$	810 (800-2 $\frac{1}{2}$)	1441-2 $\frac{1}{2}$ 850 (900-2 $\frac{1}{2}$)	NA

HIRL all Rws
REIL Rws 13L and 31L
TDZ/CL all Rws except 13L, and 31L

SC-2, 08 OCT 2020 to 05 NOV 2020

SC-2, 08 OCT 2020 to 05 NOV 2020