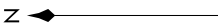
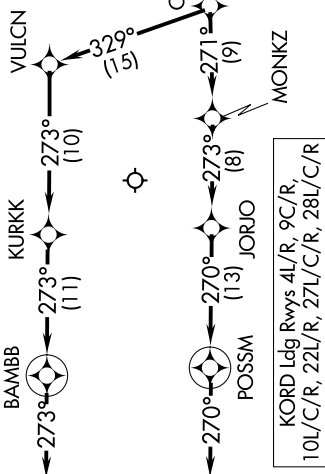


ESSPO FIVE ARRIVAL (RNAV)

CHICAGO APP CON
119.0 292.125
D-ATIS
135.4 282.225



NOTE: RADAR required.
NOTE: RNAV 1.
NOTE: DME/DME/IRU or GPS required.
NOTE: ATC assigned only.



KORD Ldg Rwy 9L
10L/C/R, 22L/R, 27L/C/R, 28L/C/R

ARRIVAL ROUTE DESCRIPTION

- BONNT TRANSITION (BONNT.ESSPO5):
- FORT WAYNE TRANSITION (FWA.ESSPO5):
- NOLNN TRANSITION (NOLNN.ESSPO5):
- WATSN TRANSITION (WATSN.ESSPO5):

From ESSPO on track 318° to LAACY, then on track 323° to IZARD, then on track 323° to CABIJ.
 LANDING RWYS 4L/R, 9C/R, 10L/C/R, 22L/R, 27L/C/R, 28L/C/R: From CABIJ on track 271° to MONKZ, then on track 273° to JORJO, then on track 270° to POSSM, then on track 270°. Expect RADAR vectors to final approach course.
 LANDING RWY 9L: From CABIJ on track 329° to VULCN, then on track 273° to KURKK, then on track 273° to BAMB, then on track 273°. Expect RADAR vectors to final approach course.

NOTE: Chart not to scale.