

LOC/DME I-TOA 111.9 Chan 56	APP CRS 294°	Rwy Ldg TDZE Apt Elev 4461 97 103
---	------------------------	---

ILS or LOC RWY 29R

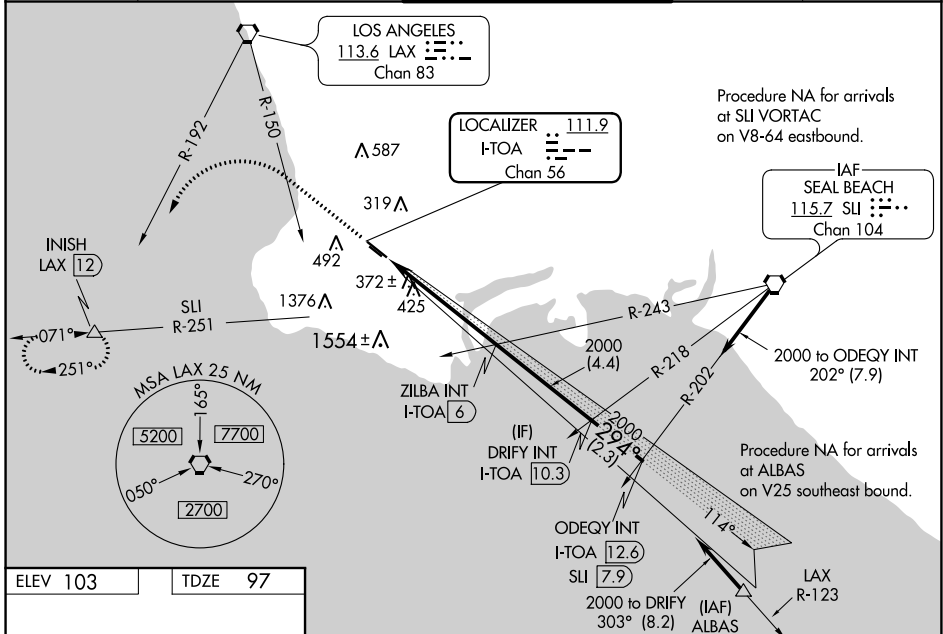
ZAMPERINI FLD (TOA)

⚠ Circling NA SW of Rwy 11R-29L. When local altimeter setting not received, except for operators with approved weather reporting service, use Los Angeles Intl altimeter setting and increase all DA to 405 feet and increase all MDA 40 feet; increase S-LOC 29R and Circling Cat C visibility 1/8 SM. For inop ALS, increase S-ILS 29R all Cats visibility to 1/8 SM. For inop ALS when using Los Angeles Intl altimeter setting increase S-ILS 29R all Cats visibility to 1/8 SM. VDP NA when using Los Angeles altimeter setting.

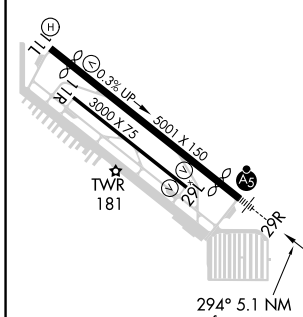
MALSR

MISSED APPROACH: Climb to 3000 on heading 294° to cross LAX VORTAC R-150 then climbing left turn on heading 250° and on LAX VORTAC R-192 to INISH INT/ LAX 12 DME and hold.

ATIS 125.6	SOCAL APP CON 124.3 363.2 (Rwys 11L, 11R) 127.2 269.6 (Rwys 29L, 29R)	TORRANCE TOWER* 133.075 257.8 (NORTH) 124.0 (CTAF) 0 257.8 (SOUTH)	GND CON 120.9	UNICOM 122.95
----------------------	---	--	-------------------------	-------------------------

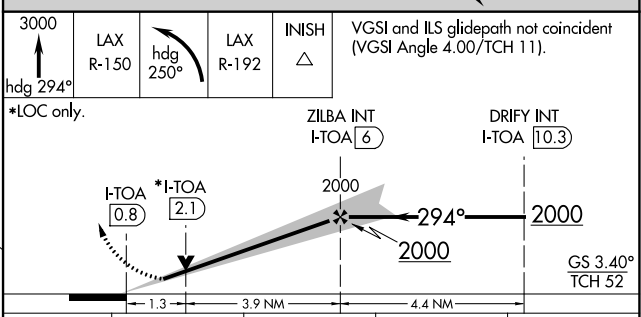


ELEV 103	TDZE 97
----------	---------



REIL Rwy 29L
MIRL Rwys 11L-29R and 11R-29L
FAF to MAP 5.1 NM

Knots	60	90	120	150	180
Min:Sec	5:08	3:25	2:34	2:03	1:43



CATEGORY	A	B	C	D
S-ILS 29R	381-1/2		284 (300-1/2)	NA
S-LOC 29R	640-1/2	543 (600-1/2)	640-1 1/8 543 (600-1 1/8)	NA
<input checked="" type="checkbox"/> CIRCLING	640-1 537 (600-1)	680-1 577 (600-1)	680-1 1/8 577 (600-1 1/8)	NA

SW-3, 22 FEB 2024 to 21 MAR 2024

SW-3, 22 FEB 2024 to 21 MAR 2024