

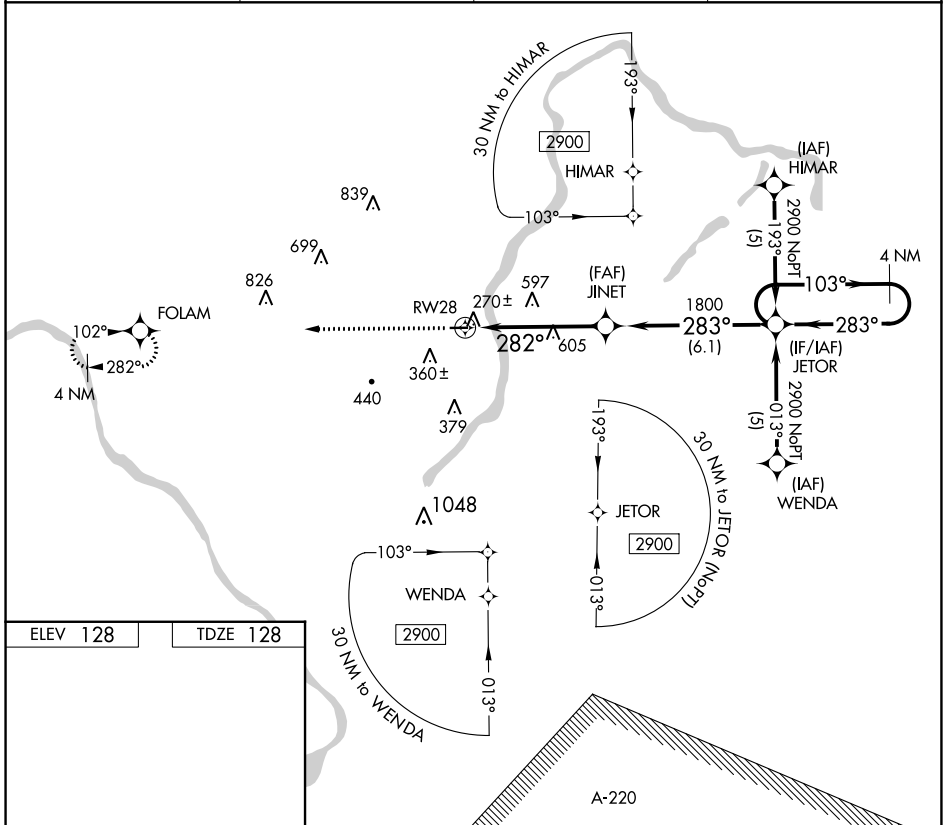
# RNAV (GPS) RWY 28

PRINCETON (39N)

APP CRS <b>282°</b>	Rwy Idg TDZE Apt Elev	<b>3130</b> <b>128</b> <b>128</b>
------------------------	-----------------------------	---

RNP APCH.	<p>▼ Use Trenton Mercer altimeter setting, if not received use Somerset altimeter setting. Procedure NA at night. Rwy 28 helicopter visibility reduction below 1 SM NA.</p> <p>▲ NA MISSED APPROACH: Climb to 2700 direct FOLAM and hold.</p>
-----------	---

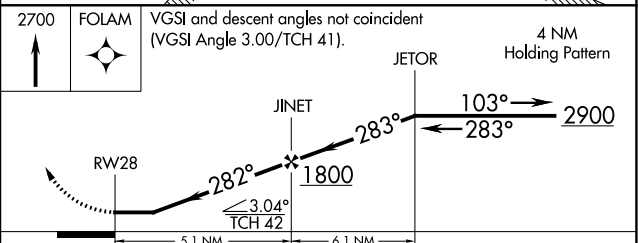
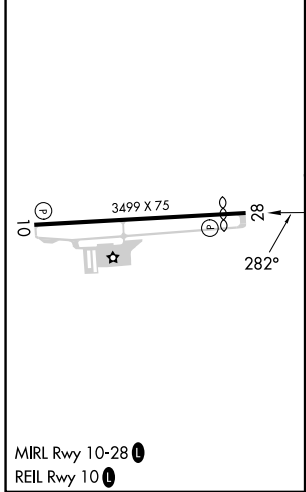
TTN ASOS <b>126.775</b>	NEW YORK APP CON <b>132.8 379.9</b>	UNICOM <b>122.725</b> (CTAF)	<b>123.05</b> 0
----------------------------	--	---------------------------------	-----------------



NE-2, 22 FEB 2024 to 21 MAR 2024

NE-2, 22 FEB 2024 to 21 MAR 2024

ELEV 128	TDZE 128
----------	----------



CATEGORY	A	B	C	D
RNAV MDA	900-1 772 (800-1)	900-1¼ 772 (800-1¼)	900-2¼ 772 (800-2¼)	NA