

VORTAC RMG 115.4 Chan 101	APP CRS 108°	Rwy ldg TDZE Apt Elev 5233 1028 1040
--	------------------------	--

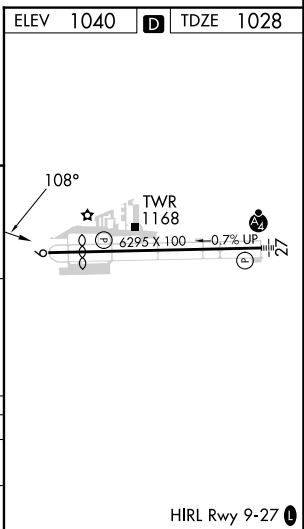
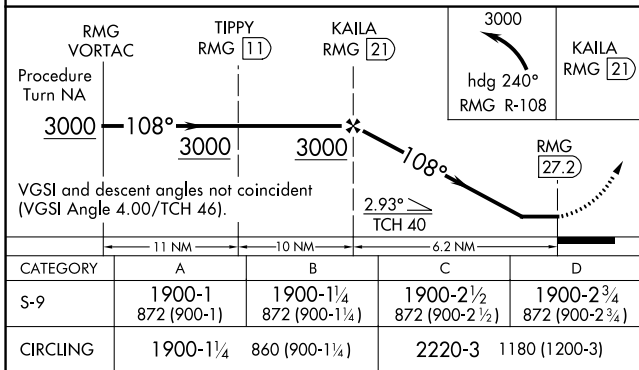
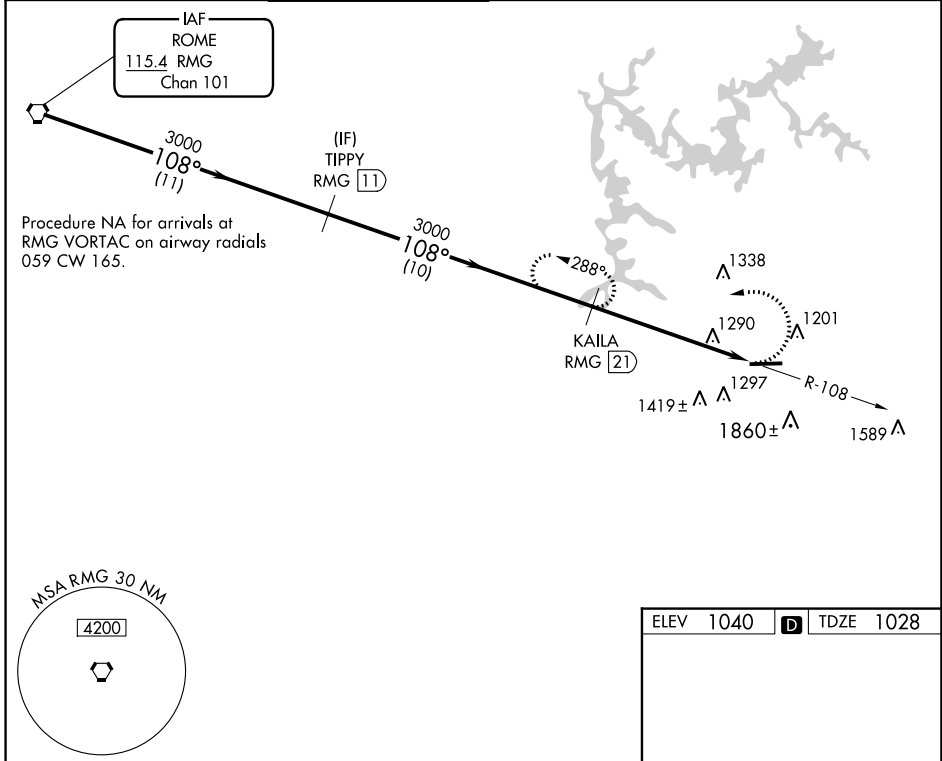
VOR/DME RWY 9

COBB COUNTY INTL/MCCOLLUM FLD (RYY)

⚠ Helicopter visibility reduction below 1 SM NA. When local altimeter setting not received, use Hartsfield-Jackson Atlanta Intl altimeter setting and increase all MDA 60 feet and S-9 Cat A/C/D visibilities ¼ mile. Night landing: Rwy 9 NA.

MISSED APPROACH: Climbing left turn to 3000 via heading 240° and RMG R-108 to KAILA/21 DME and hold.

ATIS 128.125	ATLANTA APP CON 121.0 268.7	MCCOLLUM TOWER ★ 125.9 (CTAF) 0	GND CON 119.0	CLNC DEL 119.0	CLNC DEL 121.0 268.7 (When twr closed)	UNICOM 122.7
------------------------	---------------------------------------	---	-------------------------	--------------------------	---	------------------------



SE-4, 22 FEB 2024 to 21 MAR 2024

SE-4, 22 FEB 2024 to 21 MAR 2024