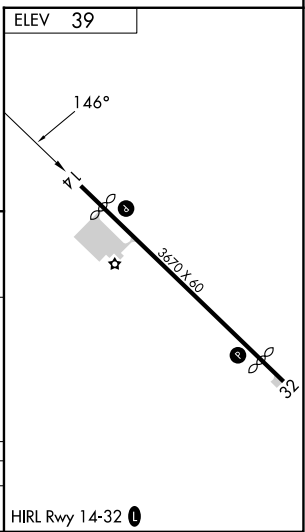
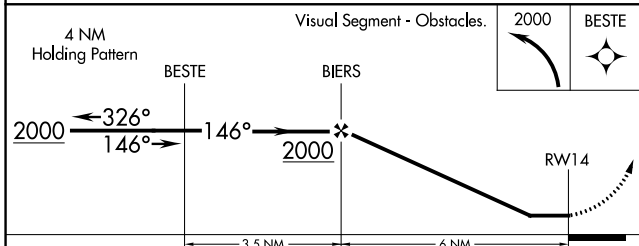
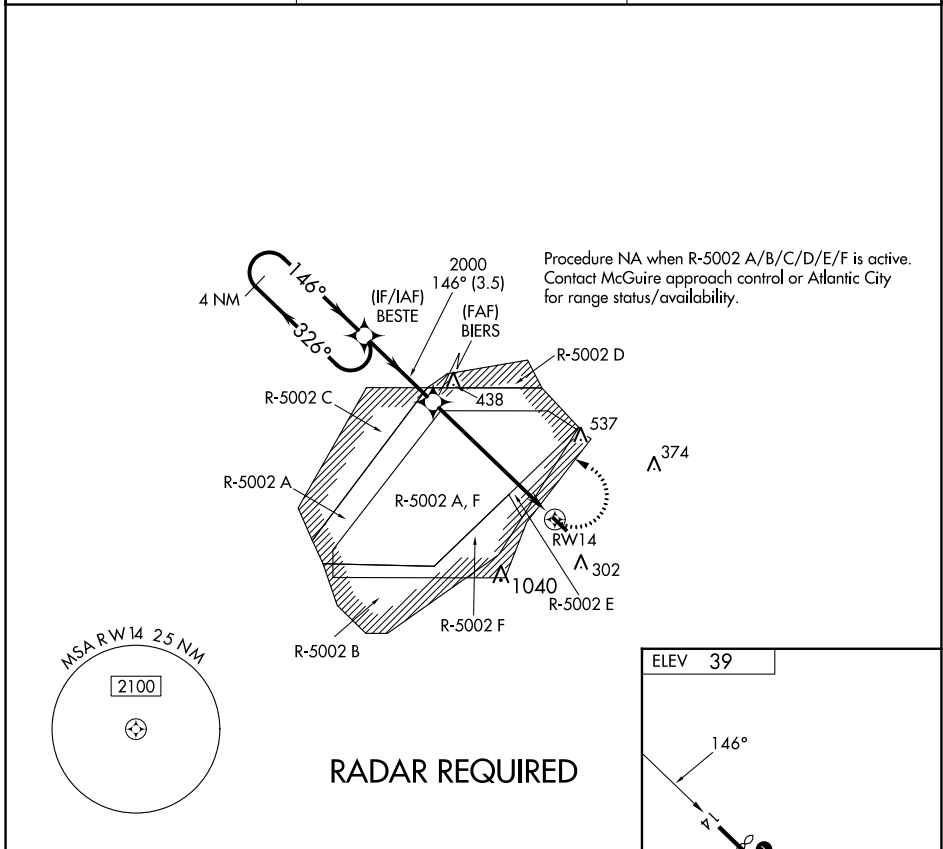


APP CRS	Rwy Idg	N/A
146°	TDZE	N/A
	Apt Elev	39

RNAV (GPS)-A

EAGLES NEST (31E)

<p>▽ DME/DME RNP-0.3 NA. Procedure NA at night. Use Toms River altimeter setting; when not received use Atlantic City altimeter setting. Helicopter visibility reduction below 1 SM NA.</p> <p>▲ NA</p>	<p>MISSED APPROACH: Climbing left turn to 2000 direct BESTE and hold.</p>	
<p>MIX AWOS-3PT 119.875</p>	<p>ATLANTIC CITY APP CON 134.25 292.2</p>	<p>CTAF 122.9 0</p>



CATEGORY	A	B	C	D
CIRCLING	680-1 641 (700-1)	700-1 661 (700-1)	NA	

HIRL Rwy 14-32 0

NE-2, 22 FEB 2024 to 21 MAR 2024

NE-2, 22 FEB 2024 to 21 MAR 2024