

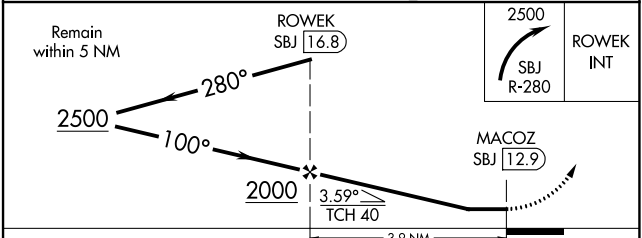
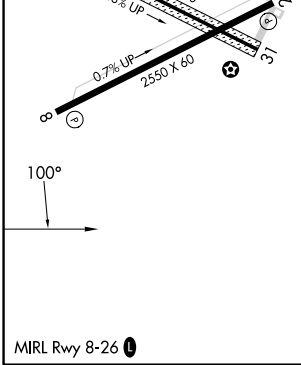
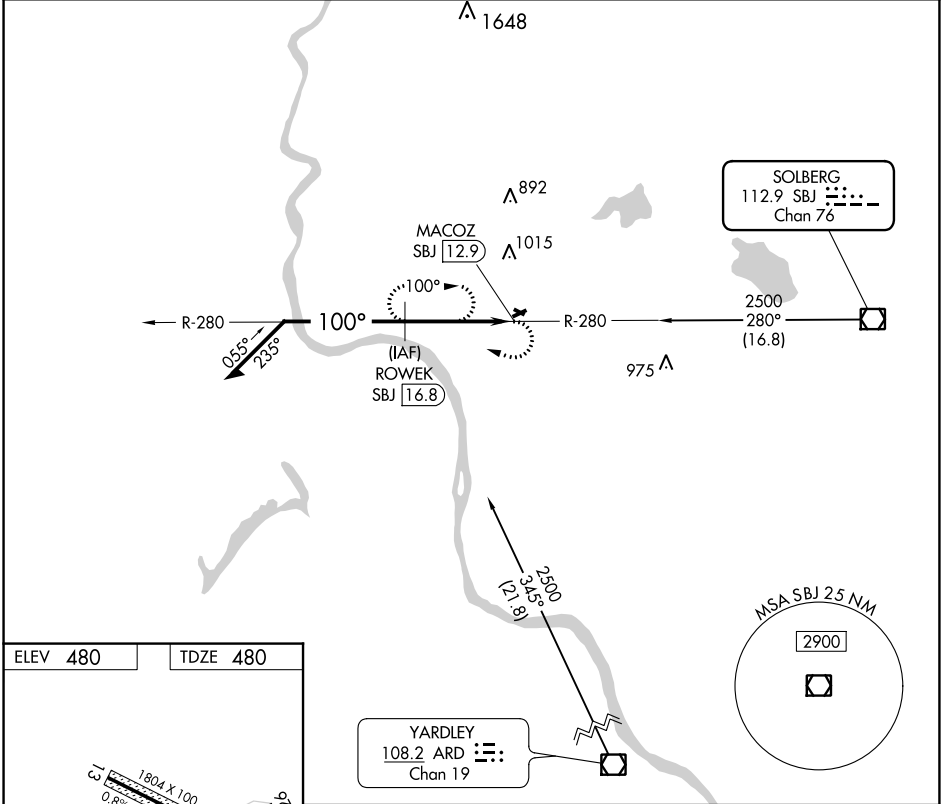
VOR/DME SBJ 112.9 Chan 76	APP CRS 100°	Rwy Idg 2550 TDZE 480 Apt Elev 480
---	------------------------	---

VOR/DME RWY 8

ALEXANDRIA (N85)

<p>▼ Use Lehigh Valley Intl, Allentown, PA altimeter setting. ▲ NA Procedure NA at night. Helicopter visibility reduction below 1 SM NA.</p>	<p>MISSED APPROACH: Climbing right turn to 2500 on SBJ VOR/DME R-280 to ROWEK/16.8 DME and hold.</p>
--	--

<p>ALLENTOWN APP CON 119.65 124.45 351.8</p>	<p>UNICOM 122.975 (CTAF)</p>	<p>121.8 0</p>
---	---	------------------------------



CATEGORY	A	B	C	D
S-8	1420-1 940 (1000-1)		NA	
C CIRCLING	1420-1 940 (1000-1)		NA	

NE-2, 18 APR 2024 to 16 MAY 2024

NE-2, 18 APR 2024 to 16 MAY 2024