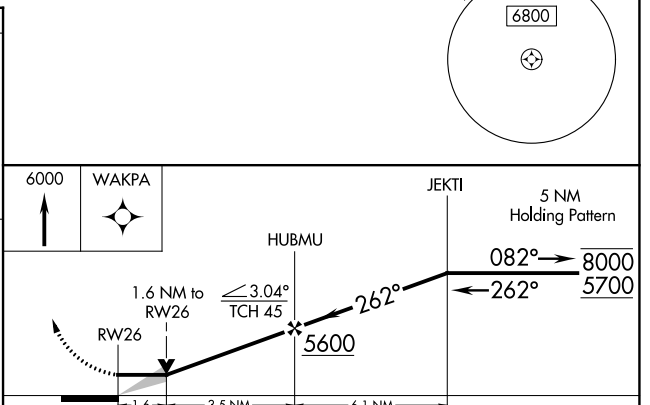
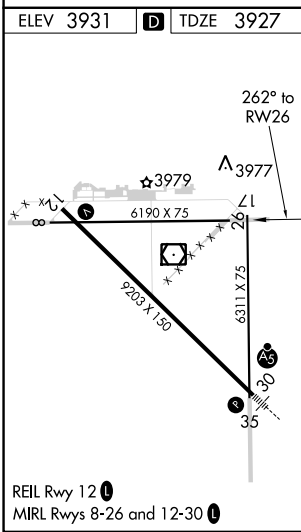
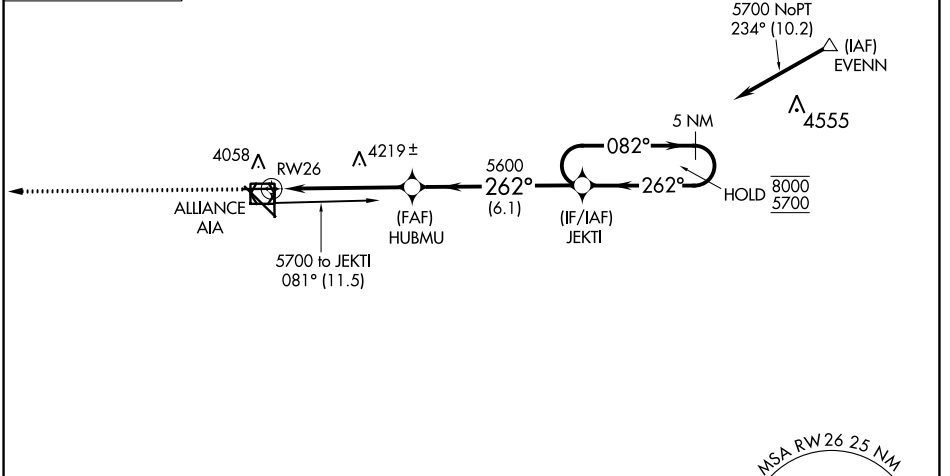
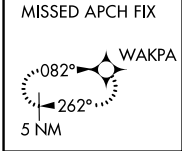


APP CRS	Rwy Idg	6200
262°	TDZE	3927
	Apt Elev	3931

RNAV (GPS) RWY 26

ALLIANCE MUNI (AIA)

RNP APCH.		MISSED APPROACH: Climb to 6000 direct WAKPA and hold.
ASOS	DENVER CENTER	UNICOM
135.075	127.95 338.2	123.0 (CTAF) 0



CATEGORY	A	B	C	D
LNAV MDA	4480-1	553 (600-1)	4480-1 ⁵ / ₈ 553 (600-1 ⁵ / ₈)	4480-1 ³ / ₄ 553 (600-1 ³ / ₄)
CIRCLING	4480-1 549 (600-1)	4520-1 589 (600-1)	4580-1 ³ / ₄ 649 (700-1 ³ / ₄)	4640-2 ¹ / ₄ 709 (800-2 ¹ / ₄)

NC-2, 16 MAY 2024 to 13 JUN 2024

NC-2, 16 MAY 2024 to 13 JUN 2024