

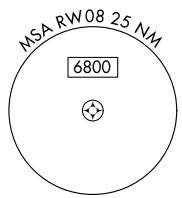
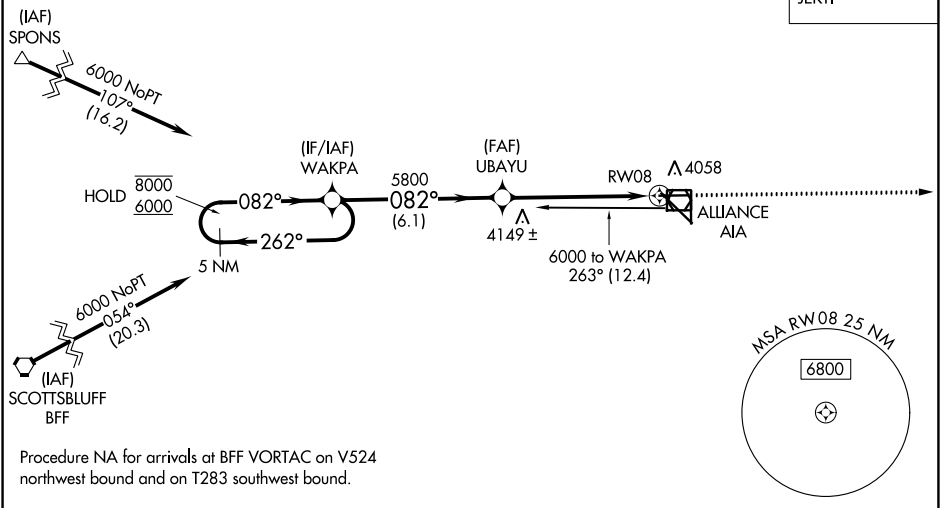
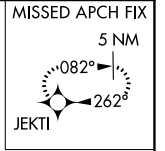
APP CRS	Rwy Idg	6190
082°	TDZE	3931
	Apt Elev	3931

RNAV (GPS) RWY 8

ALLIANCE MUNI (AIA)

RNP APCH.		MISSED APPROACH: Climb to 5700 direct JEKTI and hold.
-----------	--	---

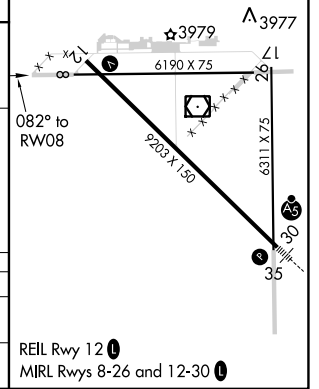
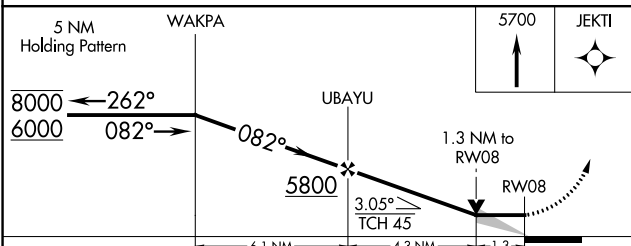
ASOS 135.075	DENVER CENTER 127.95 338.2	UNICOM 123.0 (CTAF) 1
------------------------	--------------------------------------	---------------------------------



Procedure NA for arrivals at BFF VORTAC on V524 northwest bound and on T283 southwest bound.

▲ 5749

ELEV 3931	D TDZE 3931
-----------	--------------------



CATEGORY	A	B	C	D
LNVA MDA	4400-1	469 (500-1)	4400-1 $\frac{3}{8}$ 469 (500-1 $\frac{3}{8}$)	4400-1 $\frac{1}{2}$ 469 (500-1 $\frac{1}{2}$)
CIRCLING	4460-1 529 (600-1)	4520-1 589 (600-1)	4580-1 $\frac{3}{4}$ 649 (700-1 $\frac{3}{4}$)	4640-2 $\frac{1}{4}$ 709 (800-2 $\frac{1}{4}$)

NC-2, 16 MAY 2024 to 13 JUN 2024

NC-2, 16 MAY 2024 to 13 JUN 2024