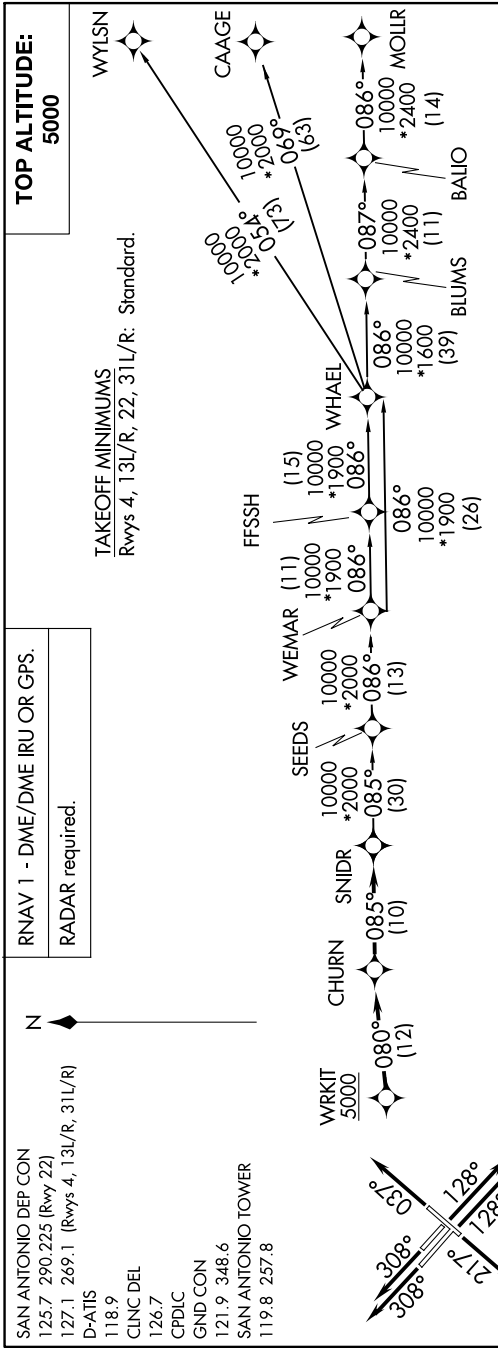


SNIDR ONE DEPARTURE (RNAV)

SC-3, 16 MAY 2024 to 13 JUN 2024



DEPARTURE ROUTE DESCRIPTION

TAKEOFF RUNWAY 4: Climb on heading 037° or as assigned by ATC, for vectors to WRKIT, thence. . . .
 TAKEOFF RUNWAY 13L/R: Climb on heading 128° or as assigned by ATC, for vectors to WRKIT, thence. . . .
 TAKEOFF RUNWAY 22: Climb on heading 217° or as assigned by ATC, for vectors to WRKIT, thence. . . .
 TAKEOFF RUNWAY 31L/R: Climb on heading 308° or as assigned by ATC, for vectors to WRKIT, thence. . . .
 . . . on track 080° to CHURN, then on track 085° to SNIDR, then on transition. Maintain 5000.

- BLUMS TRANSITION (SNIDR1.BLUMS)
- CAAGE TRANSITION (SNIDR1.CAAGE)
- FFSSH TRANSITION (SNIDR1.FFSSH)
- MOLLR TRANSITION (SNIDR1.MOLLR)
- SEEDS TRANSITION (SNIDR1.SEEDS)
- WEMAR TRANSITION (SNIDR1.WEMAR)
- WHAEL TRANSITION (SNIDR1.WHAEL)
- WYLSN TRANSITION (SNIDR1.WYLSN)

Note: Chart not to scale.

SC-3, 16 MAY 2024 to 13 JUN 2024