

ALTUS, OKLAHOMA

# RNAV (GPS) Z RWY 18R

APCH CRS 175°	Rwy Idg 13,440
	TDZE 1378
	Arpt Elev 1382

AL-482 (USAF)

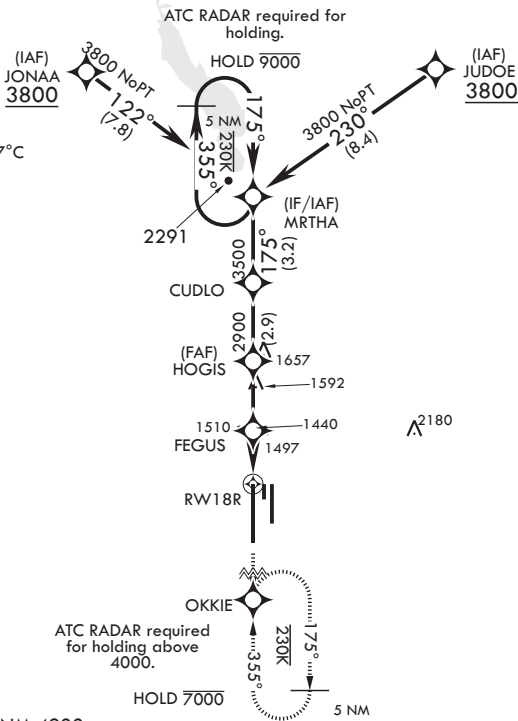
ALTUS AFB (KLTS)

RNP APCH. DME/DME RNP-0.3 NA	SALS	MISSED APPROACH: Climb to 4000 direct OKKIE and hold.
<p>▼ * When ALS inop increase RVR to 45, vis to 7/8 mile.          ** When ALS inop, increase CAT A/B RVR to 55, vis to 1 mile;          CAT CDE RVR to 60, vis to 1 1/8 miles.</p>	(A2)	

ATIS* 109.8 273.5	FORT WORTH CENTER 133.5 350.35	APP CON 125.1 353.7	TOWER* 119.65 254.4	GND CON 121.85 275.8	CLNC DEL 120.65 284.7
----------------------	-----------------------------------	------------------------	------------------------	-------------------------	--------------------------

\*\*\* Circling NA W of Rwy 18R-36L.

For uncompensated Baro-VNAV systems, procedure NA below -17°C or above 54°C (130°F).



EMERG SAFE ALT 100 NM 4900

<p>MRTHA</p> <p>355°</p> <p>175°</p> <p>3500</p> <p>HOGIS</p> <p>2900</p> <p>2040</p> <p>FEGUS</p> <p>0.9 NM to RW18R</p> <p>2.6 NM</p> <p>2 NM</p> <p>4000</p> <p>OKKIE</p> <p>ELEV 1382</p> <p>175° to RW18R</p> <p>176°</p> <p>0.4% DOWN</p> <p>0.3% DOWN</p> <p>36R</p> <p>BCN 1524</p> <p>TWR 1496</p> <p>1516</p> <p>HIRL all Rwys</p> <p>36L</p>	<p>TDZE 1378</p>																													
<table border="1"> <tr> <td>CATEGORY</td> <td>A</td> <td>B</td> <td>C</td> <td>D</td> <td>E</td> </tr> <tr> <td>LNAV/VNAV DA*</td> <td colspan="2">1660/40</td> <td>282</td> <td colspan="2">(300-¾)</td> </tr> <tr> <td>LNAV MDA**</td> <td>1760/40</td> <td>382 (400-¾)</td> <td>1760/45</td> <td>382 (400-¾)</td> <td></td> </tr> <tr> <td rowspan="2">CIRCLING***</td> <td>1780-1</td> <td>1840-1</td> <td>1880-1½</td> <td>2080-2¼</td> <td>2180-2¾</td> </tr> <tr> <td>398 (400-1)</td> <td>458 (500-1)</td> <td>498 (500-1½)</td> <td>698 (700-2¼)</td> <td>798 (800-2¾)</td> </tr> </table>	CATEGORY	A	B	C	D	E	LNAV/VNAV DA*	1660/40		282	(300-¾)		LNAV MDA**	1760/40	382 (400-¾)	1760/45	382 (400-¾)		CIRCLING***	1780-1	1840-1	1880-1½	2080-2¼	2180-2¾	398 (400-1)	458 (500-1)	498 (500-1½)	698 (700-2¼)	798 (800-2¾)	
CATEGORY	A	B	C	D	E																									
LNAV/VNAV DA*	1660/40		282	(300-¾)																										
LNAV MDA**	1760/40	382 (400-¾)	1760/45	382 (400-¾)																										
CIRCLING***	1780-1	1840-1	1880-1½	2080-2¼	2180-2¾																									
	398 (400-1)	458 (500-1)	498 (500-1½)	698 (700-2¼)	798 (800-2¾)																									

ALTUS, OKLAHOMA

34°40'N - 99°16'W

ALTUS AFB (KLTS)

Amdt 3 14JUL22

# RNAV (GPS) Z RWY 18R

SC-1, 16 MAY 2024 to 13 JUN 2024

SC-1, 16 MAY 2024 to 13 JUN 2024