

PALACIOS THREE DEPARTURE

TOP ALTITUDE:
ASSIGNED BY ATC

RADAR and DME required.

TAKEOFF MINIMUMS
 Rwy 17L, 35R: NA - Environmental.
 Waterways 17, 35: NA - Air Traffic.
 Rwy 17R, 35L: Standard.

ATIS 128.375
 CLNC DEL 119.45
 GND CON 121.8 239.0
 HOOKS TOWER* 127.4 354.1 (EAST)
 118.4 (CTAF) 354.1 (WEST)
 HOUSTON DEP CON 119.7 281.4 (Rwys 35L/R)
 123.8 257.7 (Rwys 17L/R)

FORT STOCKTON
 116.9 FST
 Chan 116

SAN ANTONIO
 116.8 SAT
 Chan 115

ROCKSPRINGS
 114.55 RSG
 Chan 92 (Y)

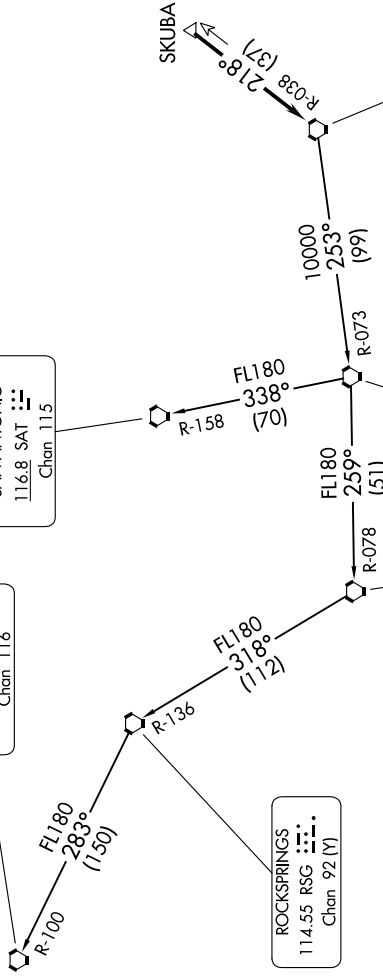
COTUILA
 115.8 COT
 Chan 105

THREE RIVERS
 111.4 THX
 Chan 51

PALACIOS
 117.3 PSX
 Chan 120



SKUBA



(CONTINUED ON FOLLOWING PAGE)

NOTE: Chart not to scale.

PALACIOS THREE DEPARTURE