

WAAS CH 63225 W09A	APP CRS 092°	Rwy Idg TDZE 915 Apt Elev 925	5505
--	------------------------	---	-------------

RNAV (GPS) RWY 9

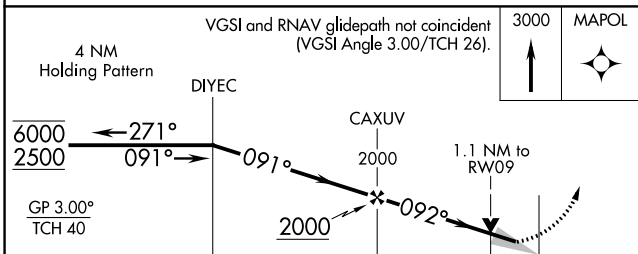
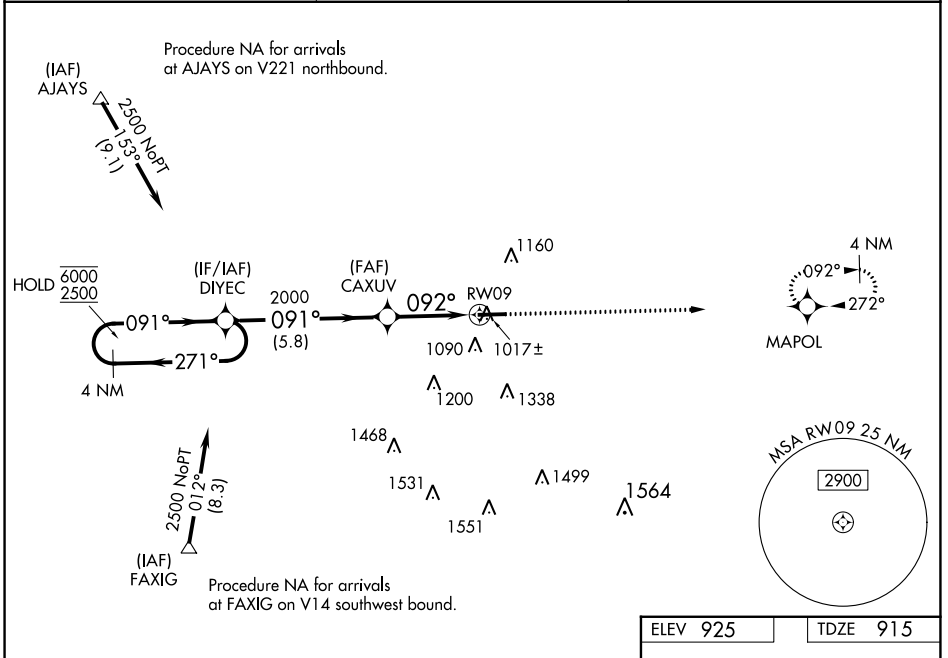
PORTLAND MUNI (PLD)

RNP APCH - GPS.

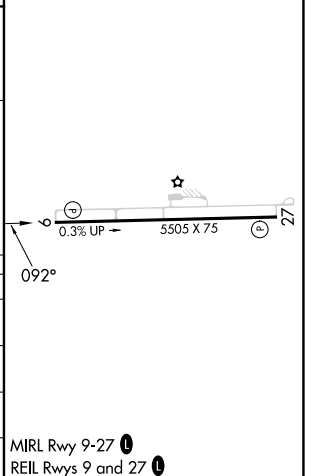
⚠ Circling to Rwy 27 NA at night. For uncompensated Baro-VNAV systems, LNAV/VNAV NA below -16°C or above 54°C.

MISSED APPROACH:
Climb to 3000 direct
MAPOL and hold.

AWOS-3 124.675	FORT WAYNE APP CON 132.15 (SE/NE) 284.6 127.2 (SW/NW) 284.6	UNICOM 122.8 (CTAF) 0
--------------------------	---	--



ELEV 925	TDZE 915
----------	----------



CATEGORY	A	B	C	D
LPV DA		1165-1	250 (300-1)	
LNAV/VNAV DA		1230-1	315 (400-1)	
LNAV MDA		1280-1	365 (400-1)	
CIRCLING	1480-1	555 (600-1)	1580-1¾ 655 (700-1¾)	1640-2¼ 715 (800-2¼)

EC-2, 16 MAY 2024 to 13 JUN 2024

EC-2, 16 MAY 2024 to 13 JUN 2024