

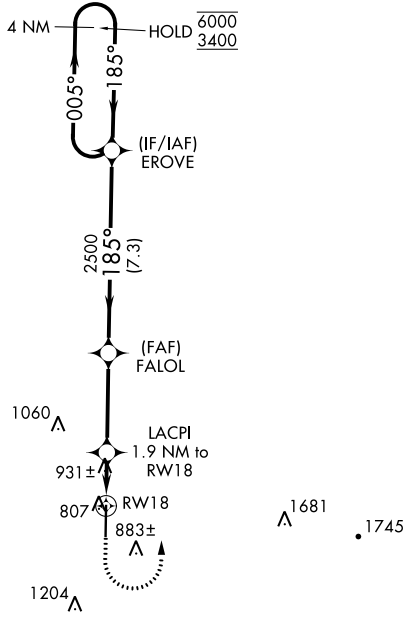
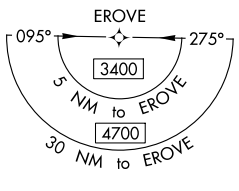
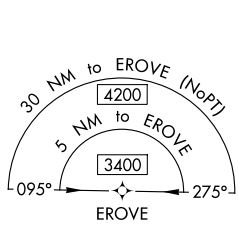
WAAS CH 86501 W18A	APP CRS 185°	Rwy Idg 6500 TDZE 740 Apt Elev 764
--	------------------------	---

RNAV (GPS) RWY 18

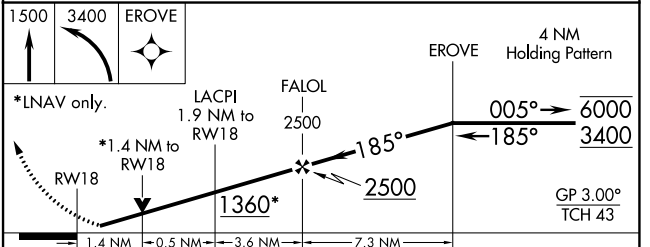
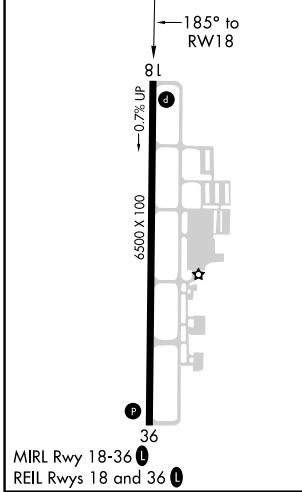
HUNTSVILLE EXEC TOM SHARP JR FLD (MDQ)

RNP APCH.	MISSED APPROACH: Climb to 1500 then climbing left turn to 3400 direct EROVE and hold.
<p>▼ Rwy 18 helicopter visibility reduction below 3/4 SM NA. ▲ For uncompensated Baro-VNAV systems, procedure NA below -16°C or above 54°C.</p>	

AWOS-3PT 120.0	HUNTSVILLE APP CON ★ 125.6 354.1	GCO 121.725	UNICOM 123.0 (CTAF) 0
--------------------------	--	-----------------------	---------------------------------



ELEV 764	TDZE 740
-----------------	-----------------



CATEGORY	A	B	C	D
LPV DA		940-3/4	200 (200-3/4)	
LNAV/VNAV DA		1250-13/4	510 (500-13/4)	
LNAV MDA	1200-1	460 (500-1)	1200-13/8	460 (500-13/8)
CIRCLING	1260-1	496 (500-1)	1560-2 1/4 796 (800-2 1/4)	2000-3 1236 (1300-3)

SE-4, 16 MAY 2024 to 13 JUN 2024

SE-4, 16 MAY 2024 to 13 JUN 2024