

WAAS CH 87132 W22A	APP CRS 238°	Rwy Idg 5810 TDZE 611 Apt Elev 620
--	------------------------	---

RNAV (GPS) Z RWY 22L

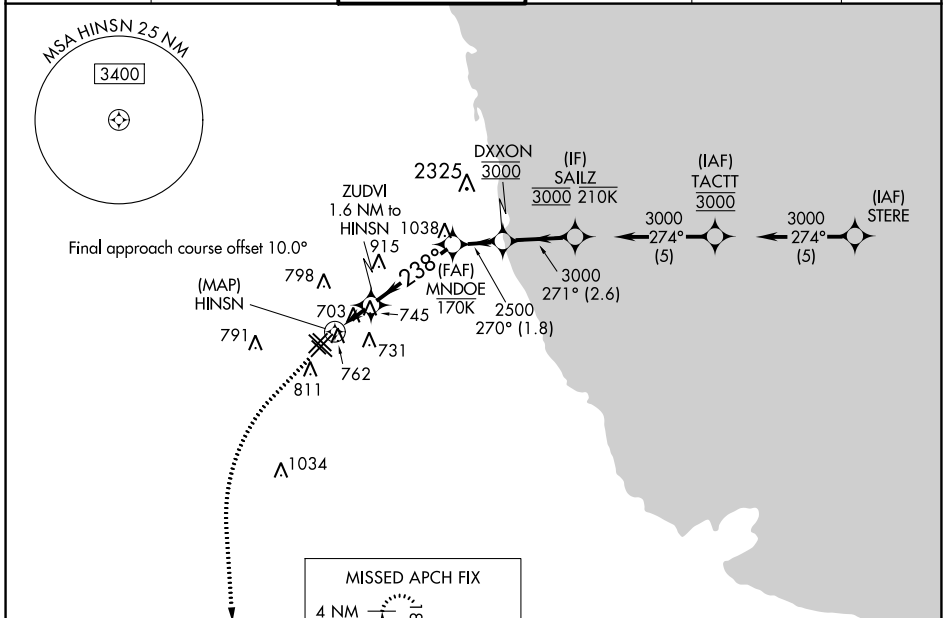
CHICAGO MIDWAY INTL (MDW)

RNP APCH - GPS.
RADAR required.

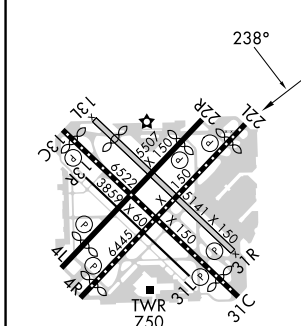
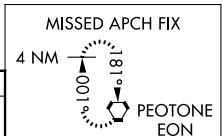
▼ Circling Rwy 31R NA at night.
▲ Rwy 22L helicopter visibility reduction below RVR 4000 NA.

MISSED APPROACH: Climb to 1300 then climbing left turn to 2600 direct EON VORTAC and hold.

D-ATIS 132.75	CHICAGO APP CON 128.2 353.875	MIDWAY TOWER 135.2 269.125	GND CON 118.075	CLNC DEL 124.625	CPDLC
-------------------------	---	--------------------------------------	---------------------------	----------------------------	-------

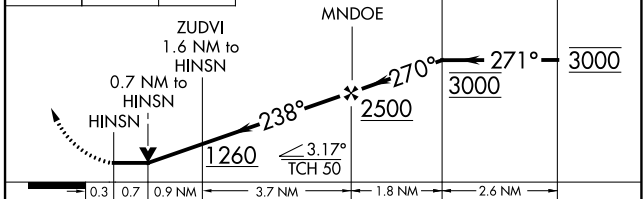


ELEV 620	D	TDZE 611
----------	----------	----------



1300	2600	EON
↑	↶	⬡

VGSI and descent angles not coincident (VGSI Angle 3.00/TCH 43).



CATEGORY	A	B	C	D
LP MDA	960/55 349 (400-1)			
LNAV MDA	1020/55	409 (400-1)	1020/60	409 (400-1¼)
C CIRCLING	1120-1	500 (500-1)	1340-2 720 (800-2)	1340-2¼ 720 (800-2¼)

EC-3, 13 JUN 2024 to 11 JUL 2024

EC-3, 13 JUN 2024 to 11 JUL 2024