

LOC I-SPI 109.5	APP CRS 043°	Rwy Idg TDZE Apt Elev	7927 592 598
---------------------------	------------------------	-----------------------------	---

ILS or LOC RWY 4

ABRAHAM LINCOLN CAPITAL (SPI)

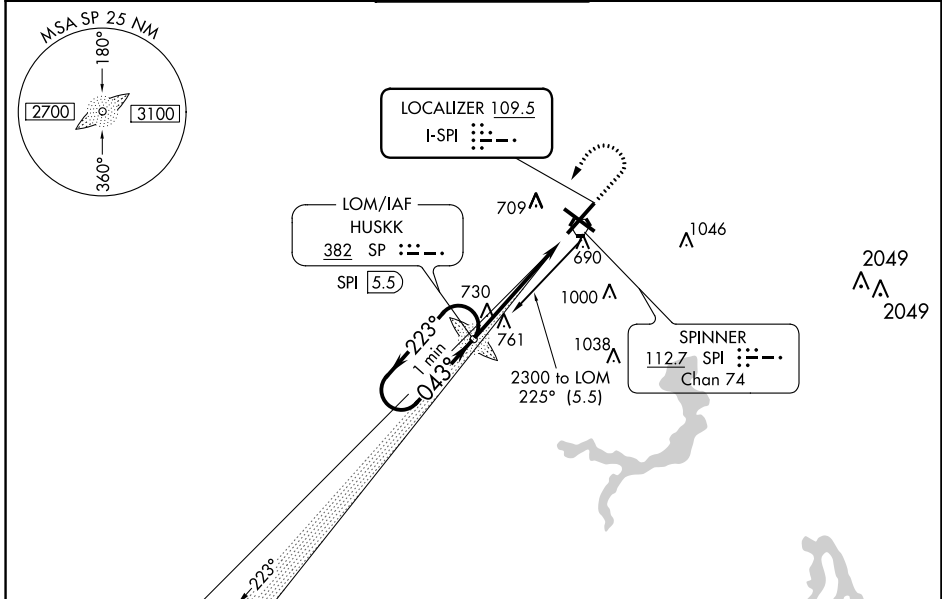
ADF Required.

When local altimeter setting not received, use Lincoln altimeter setting and increase all DA 57 feet, all MDA 60 feet, increase S-LOC and Circling Cat C/D visibility ¼ mile. For inop ALS when using Lincoln altimeter setting, increase S-LOC 4 Cats C and D visibility to 1¾ SM. *RVR 1800 authorized with use of FD or AP or HUD to DA (NA when using Lincoln altimeter setting).

MALSR

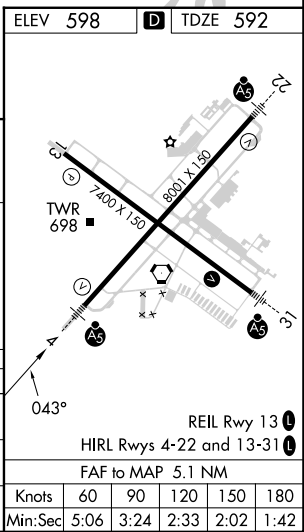
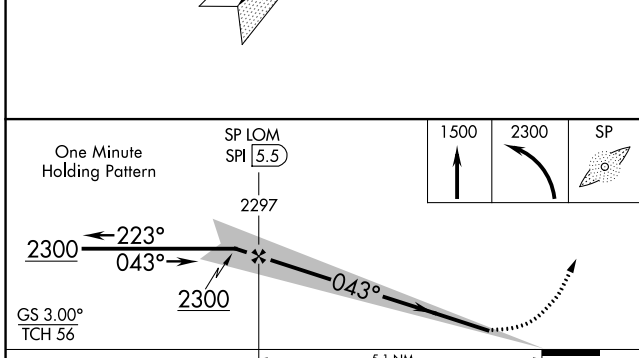
MISSED APPROACH: Climb to 1500 then climbing left turn to 2300 direct HUSKK LOM and hold.

ATIS 127.65 270.1	SAINT LOUIS APP CON * 126.15 323.0	SPRINGFIELD TOWER * 121.3 (CTAF) 257.8	GND CON 121.9 348.6	CLNC DEL 121.7	UNICOM 122.95
-----------------------------	--	--	-------------------------------	--------------------------	-------------------------



EC-3, 13 JUN 2024 to 11 JUL 2024

EC-3, 13 JUN 2024 to 11 JUL 2024



CATEGORY	A	B	C	D
S-ILS 4		* 792/24 200 (200-½)		
S-LOC 4	1020/24	428 (500-½)	1020/40	428 (500-¾)
CIRCLING	1040-1 442 (500-1)	1100-1 502 (600-1)	1360-2¼ 762 (800-2¼)	1380-2½ 782 (800-2½)

Knots	60	90	120	150	180
Min:Sec	5:06	3:24	2:33	2:02	1:42