

# PITTSBURGH FIVE DEPARTURE

D-ATIS DEP 135.9  
PITTSBURGH CLNC DEL  
126.75 353.7  
CPDLC  
PITTSBURGH GND CON  
121.9 (SOUTH) 348.6  
127.8 (NORTH) 348.6  
PITTSBURGH TOWER  
128.3 291.7  
PITTSBURGH DEP CON  
119.35 285.575

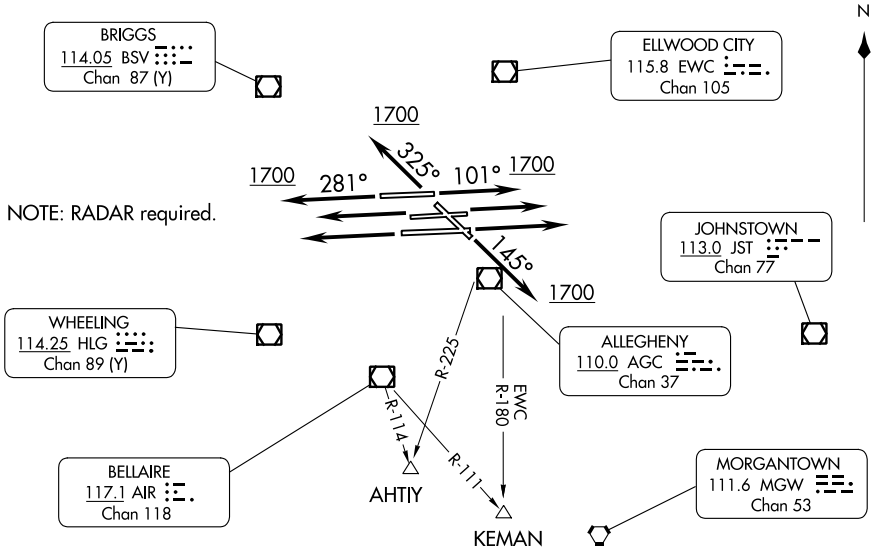
**TOP ALTITUDE:**  
**JETS: 5000**  
**PROPS: 4000**

**TAKEOFF MINIMUMS:**

Rwys 10C, 10R, 14, 28C, 28L, 28R: Standard.

Rwy 10L: 300-1½ or standard with minimum climb of 215' per NM to 1400, or alternatively, with standard takeoff minimums and a normal 200' per NM climb gradient, takeoff must occur no later than 1400' prior to DER.

Rwy 32: 300-1½ or standard with minimum climb of 255' per NM to 1500.



NOTE: RADAR required.

NOTE: Chart not to scale

## DEPARTURE ROUTE DESCRIPTION

- TAKEOFF RUNWAYS 10L, 10C, 10R: Climb heading 101° until leaving 1700 thence. . . .
- TAKEOFF RUNWAYS 28L, 28C, 28R: Climb heading 281° until leaving 1700 thence. . . .
- TAKEOFF RUNWAY 14: Climb heading 145° until leaving 1700 thence. . . .
- TAKEOFF RUNWAY 32: Climb heading 325° until leaving 1700 thence. . . .

. . . . make no turns except as assigned by ATC or vectored to assigned route/fix.

JETS: Maintain 5000 or requested altitude if lower.

PROPS: Maintain 4000 or requested altitude if lower.

Expect further clearance to requested altitude 10 minutes after departure.

NE-4, 13 JUN 2024 to 11 JUL 2024

NE-4, 13 JUN 2024 to 11 JUL 2024