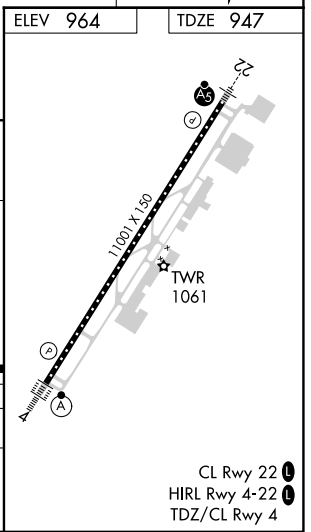
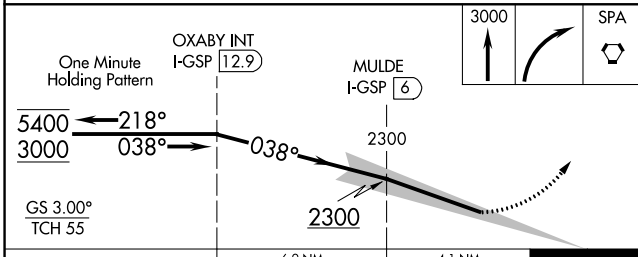
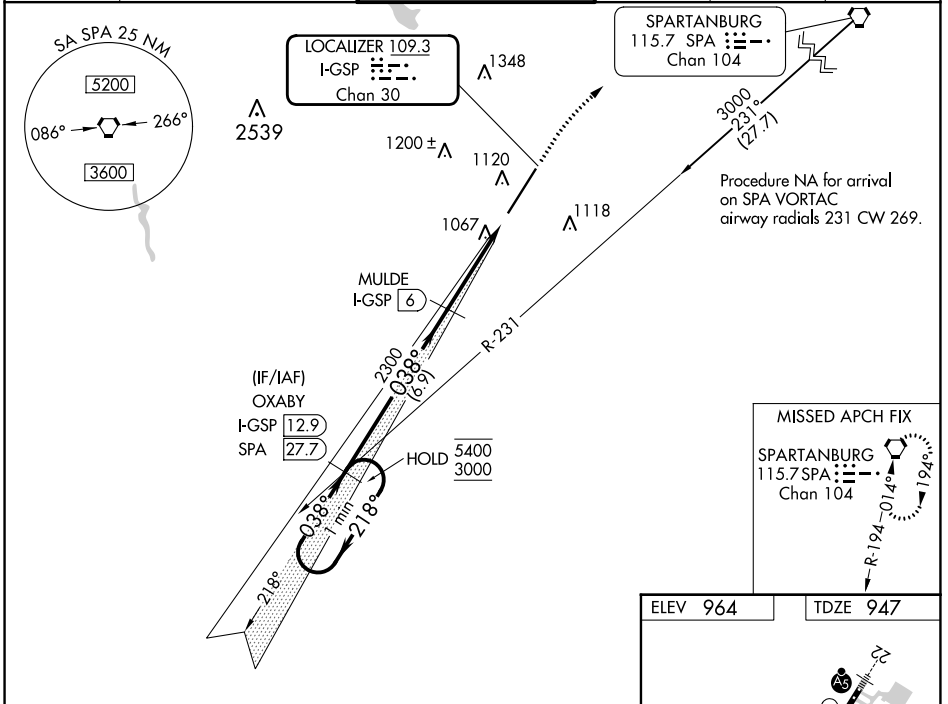


LOC/DME I-GSP 109.3 Chan 30	APP CRS 038°	Rwy Idg 11001 TDZE 947 Apt Elev 964
--	------------------------	--

ILS RWY 4 (SA CAT I)

GREENVILLE SPARTANBURG INTL (GSP)

DME required.		ALSF-2		MISSED APPROACH: Climb to 3000 then right turn direct SPA VORTAC and hold.	
Requires specific OPSPEC, MSPEC, or LOA approval and use of HUD to DH. Procedure NA when control tower closed.					
ATIS 134.25	GREER APP CON* 118.8 270.275	GREER TOWER* 120.1(CTAF) 251.15	GND CON 121.9	CLNC DEL 121.9	UNICOM 122.95



CATEGORY	A	B	C	D
S-ILS 4	RA 258/14		150 DA 1097	

SA CATEGORY I ILS - SPECIAL AIRCREW & AIRCRAFT CERTIFICATION REQUIRED

SE-2, 13 JUN 2024 to 11 JUL 2024

SE-2, 13 JUN 2024 to 11 JUL 2024