

WAAS CH 90239 W18A	APP CRS 181°	Rwy ldg 4894 TDZE 738 Apt Elev 738
--	------------------------	---

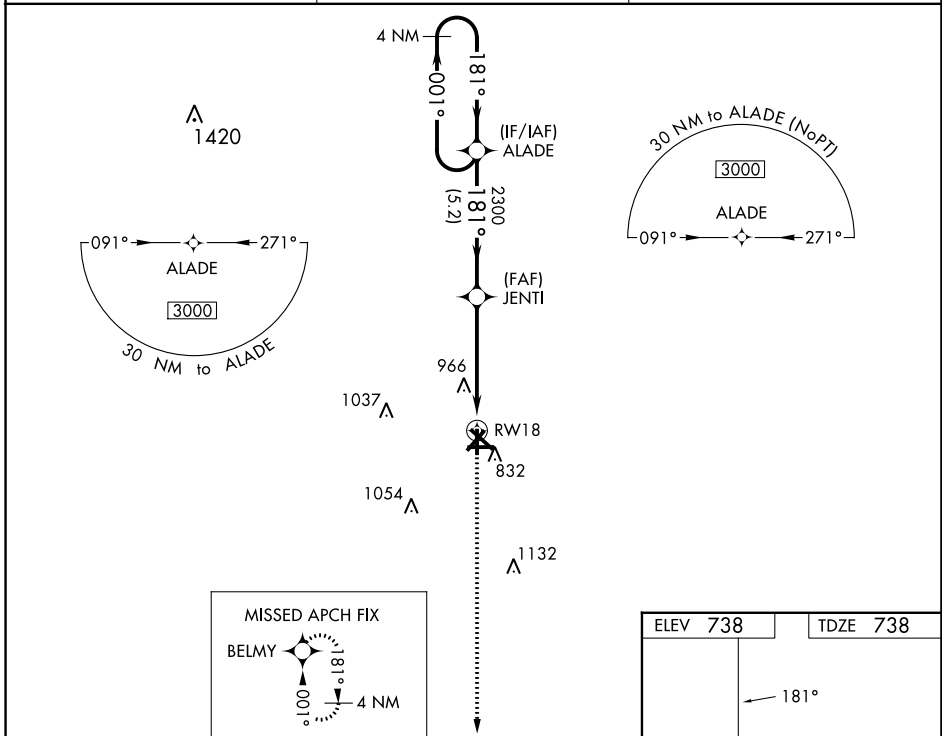
RNAV (GPS) RWY 18

RANTOUL NTL AVN CNTR-FRANK ELLIOTT FLD (TIP)

For uncompensated Baro-VNAV systems, LNAV/VNAV NA below -16°C (4°F) or above 54°C (130°F). Baro-VNAV and VDP NA when using Champaign Urbana altimeter setting. DME/DME RNP-0.3 NA. Helicopter visibility reduction below ¼ SM NA. When local altimeter setting not received, use Champaign Urbana altimeter setting and increase LPV DA to 1056 and all visibilities to 1½ mile, increase LNAV/VNAV DA to 1312 and all visibilities to 2 mile; increase all MDA 60 feet; increase LNAV and Circling Cats C/D visibility ¼ mile.

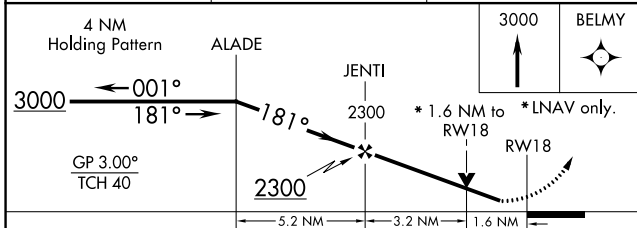
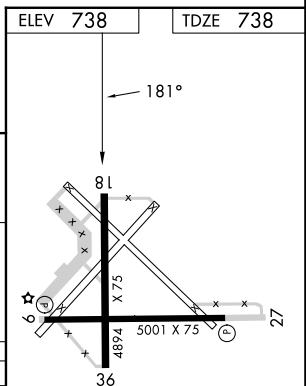
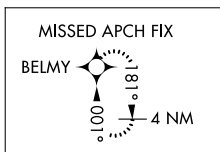
MISSED APPROACH: Climb to 3000 direct BELMY and hold.

AWOS-3 119.025	CHAMPAIGN APP CON ★ 121.35 285.65	UNICOM 123.0 (CTAF) ①
--------------------------	---	---------------------------------



EC-3, 13 JUN 2024 to 11 JUL 2024

EC-3, 13 JUN 2024 to 11 JUL 2024



CATEGORY	A	B	C	D
LPV DA	1015-1		277 (300-1)	
LNAV/VNAV DA	1271-17/8		533 (600-17/8)	
LNAV MDA	1280-1	542 (600-1)	1280-15/8	542 (600-15/8)
Ⓢ CIRCLING	1280-1	542 (600-1)	1380-13/4	1420-21/4
			642 (700-13/4)	682 (700-21/4)

REIL Rwy 9 and 27 ①
MIRL Rwy 9-27 and 18-36 ①