

(PIT5.PIT) 23334

AL-570 (FAA)

PITTSBURGH INTL (PIT)
PITTSBURGH, PENNSYLVANIA

PITTSBURGH FIVE DEPARTURE

D-ATIS DEP 135.9
PITTSBURGH CLNC DEL
126.75 353.7
CPDLC
PITTSBURGH GND CON
121.9 (SOUTH) 348.6
127.8 (NORTH) 348.6
PITTSBURGH TOWER
128.3 291.7
PITTSBURGH DEP CON
119.35 285.575

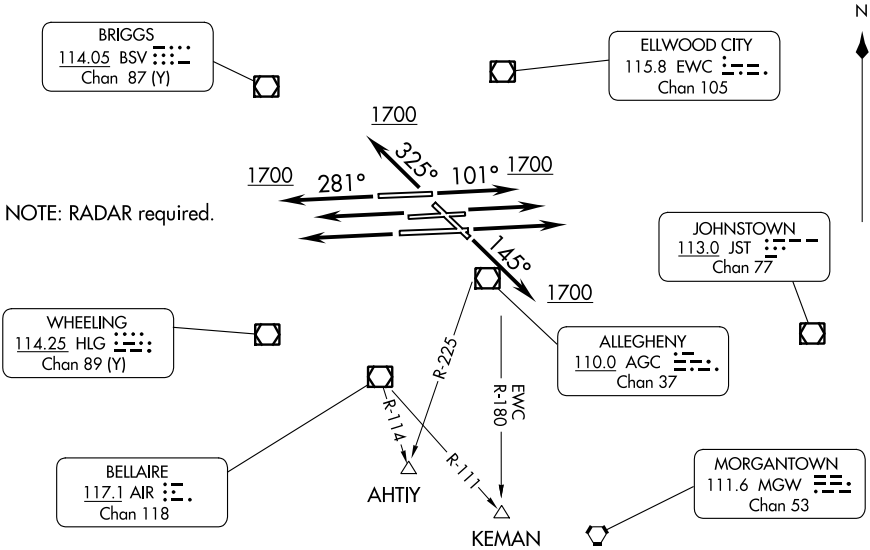
TOP ALTITUDE:
JETS: 5000
PROPS: 4000

TAKEOFF MINIMUMS:

Rwys 10C, 10R, 14, 28C, 28L, 28R: Standard.

Rwy 10L: 300-1½ or standard with minimum climb of 215' per NM to 1400, or alternatively, with standard takeoff minimums and a normal 200' per NM climb gradient, takeoff must occur no later than 1400' prior to DER.

Rwy 32: 300-1½ or standard with minimum climb of 255' per NM to 1500.



NOTE: RADAR required.

NOTE: Chart not to scale

DEPARTURE ROUTE DESCRIPTION

TAKEOFF RUNWAYS 10L, 10C, 10R: Climb heading 101° until leaving 1700 thence. . . .

TAKEOFF RUNWAYS 28L, 28C, 28R: Climb heading 281° until leaving 1700 thence. . . .

TAKEOFF RUNWAY 14: Climb heading 145° until leaving 1700 thence. . . .

TAKEOFF RUNWAY 32: Climb heading 325° until leaving 1700 thence. . . .

. . . . make no turns except as assigned by ATC or vectored to assigned route/fix.

JETS: Maintain 5000 or requested altitude if lower.

PROPS: Maintain 4000 or requested altitude if lower.

Expect further clearance to requested altitude 10 minutes after departure.

PITTSBURGH FIVE DEPARTURE

(PIT5.PIT) 03JAN19

PITTSBURGH, PENNSYLVANIA
PITTSBURGH INTL (PIT)

NE-4, 11 JUL 2024 to 08 AUG 2024

NE-4, 11 JUL 2024 to 08 AUG 2024