

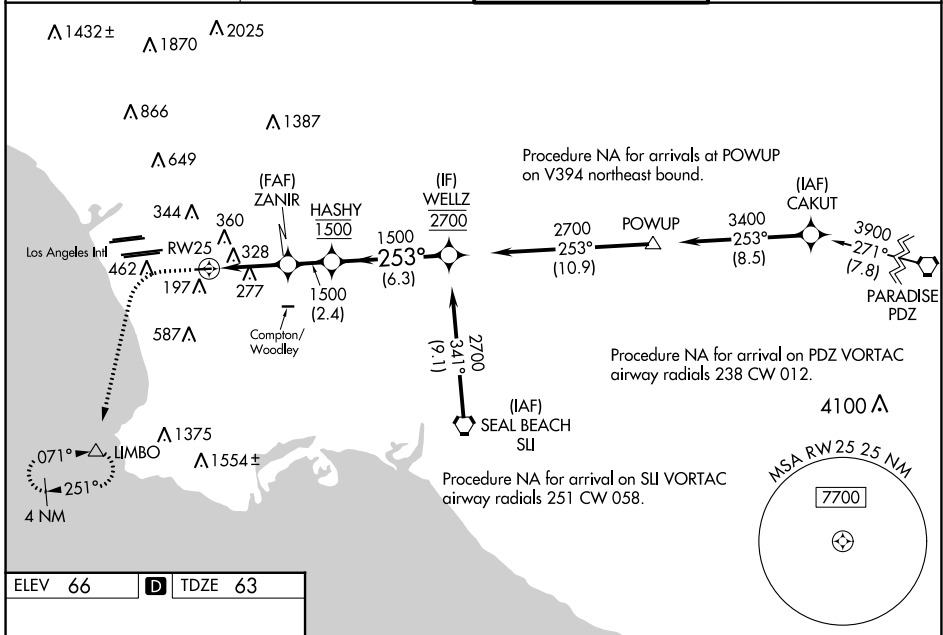
WAAS CH <b>65825</b> <b>W25A</b>	APP CRS <b>253°</b>	Rwy Idg <b>4194</b> TDZE <b>63</b> Apt Elev <b>66</b>
--	------------------------	---

# RNAV (GPS) RWY 25

JACK NORTHROP FLD/HAWTHORNE MUNI (HHR)

RNP APCH - GPS.		ODALS 	MISSED APPROACH: Climb to 800 then climbing left turn to 3000 direct LIMBO and hold, continue climb-in-hold to 3000.
Circling NA north of Rwy 7-25. Rwy 25 helicopter visibility reduction below 1 SM NA. For uncompensated Baro-VNAV systems, LNAV/VNAV NA below 5°C or above 54°C. Inop table does not apply. Simultaneous approach authorized. LNAV procedure NA during simultaneous operations. Use of FD or AP required during simultaneous operations. Circling Rwy 7 NA at night.			

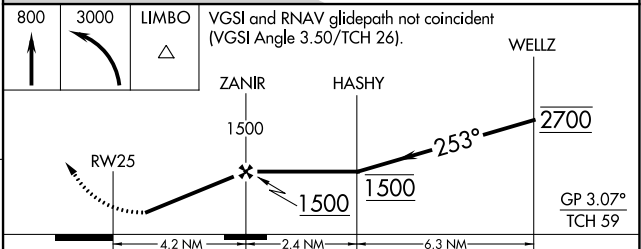
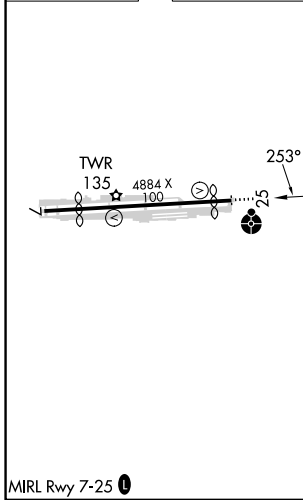
ATIS <b>118.4</b>	SOCAL APP CON <b>124.9 269.0</b>	HAWTHORNE TOWER ★ <b>121.1</b> (CTAF) <b>0 257.8</b>	GND CON <b>125.1</b>
----------------------	-------------------------------------	---	-------------------------



SW-3, 11 JUL 2024 to 08 AUG 2024

SW-3, 11 JUL 2024 to 08 AUG 2024

ELEV 66	<b>D</b> TDZE 63
---------	------------------



CATEGORY	A	B	C	D
LPV DA		577-1 <sup>3</sup> / <sub>8</sub>	514 (600-1 <sup>3</sup> / <sub>8</sub> )	
LNAV/VNAV DA		580-1 <sup>3</sup> / <sub>8</sub>	517 (600-1 <sup>3</sup> / <sub>8</sub> )	
LNAV MDA	580-1	517 (600-1)	580-1 <sup>3</sup> / <sub>8</sub>	517 (600-1 <sup>3</sup> / <sub>8</sub> )
<b>C</b> CIRCLING	620-1	554 (600-1)	780-2 714 (800-2)	780-2 <sup>1</sup> / <sub>4</sub> 714 (800-2 <sup>1</sup> / <sub>4</sub> )