

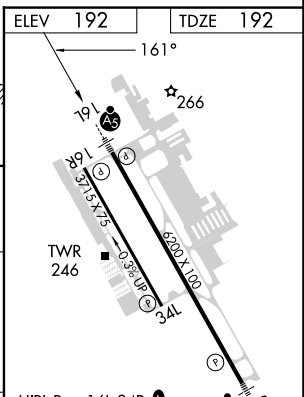
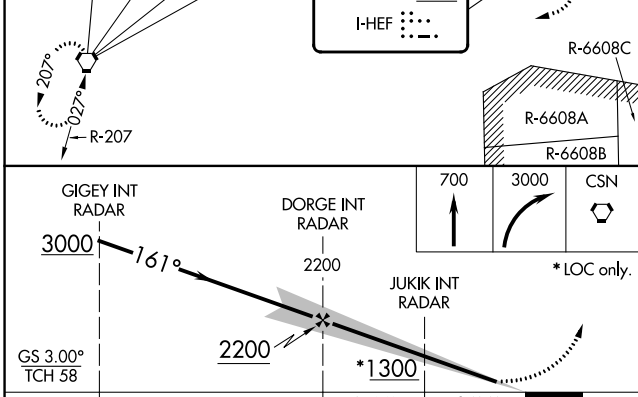
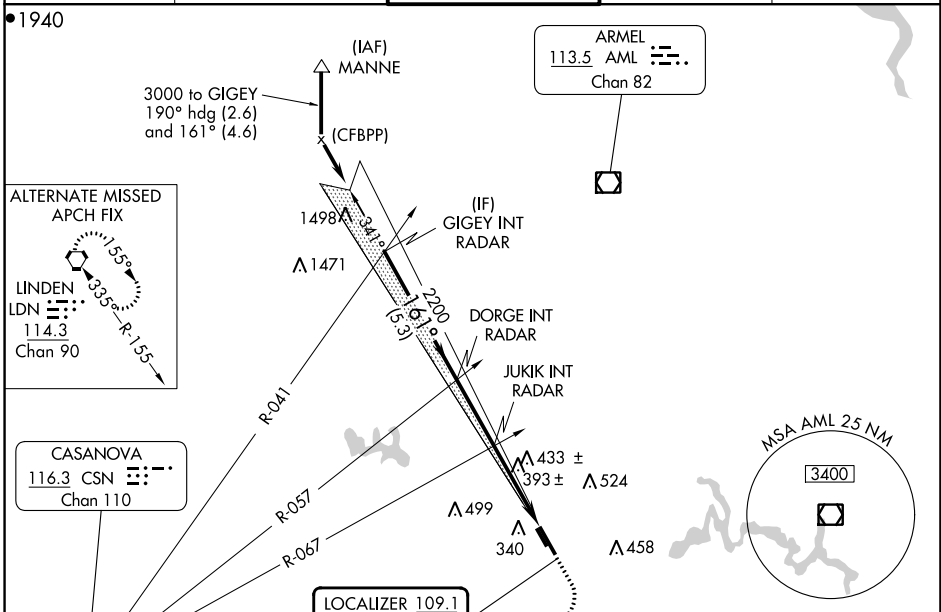
LOC I-HEF 109.1	APP CRS 161°	Rwy Idg 6200
		TDZE 192
		Apt Elev 192

ILS or LOC RWY 16L

MANASSAS RGNL/HARRY P DAVIS FLD (HEF)

<p>When local altimeter setting not received, use Dulles altimeter setting and increase DA 49 feet, all MDA 60 feet, and increase Cat C/D Circling visibility ¼ mile.</p>	<p>MALS R</p>	<p>MISSED APPROACH: Climb to 700, then climbing right turn to 3000 direct CSN VORTAC and hold.</p>

ATIS 125.175	POTOMAC APP CON 128.525 306.925	MANASSAS TOWER * 133.1 (CTAF) 360.75	GND CON 121.8	CLNC DEL 120.2
------------------------	---	--	-------------------------	--------------------------



CATEGORY	A	B	C	D
S-ILS 16L	392-½ 200 (200-½)			
S-LOC 16L	660-½	468 (500-½)	660-1	468 (500-1)
CIRCLING	720-1	740-1	840-1¾	880-2¼
	528 (600-1)	548 (600-1)	648 (700-1¾)	688 (700-2¼)

FAF to MAP 6.1 NM

Knots	60	90	120	150	180
Min:Sec	6:06	4:04	3:03	2:26	2:02

NE-3, 11 JUL 2024 to 08 AUG 2024

NE-3, 11 JUL 2024 to 08 AUG 2024