

LOC/DME I-BRW 110.5 Chan 42	APP CRS 260°	Rwy Idg 5900 TDZE 46 Apt Elev 49
--	------------------------	---

LOC BC RWY 26

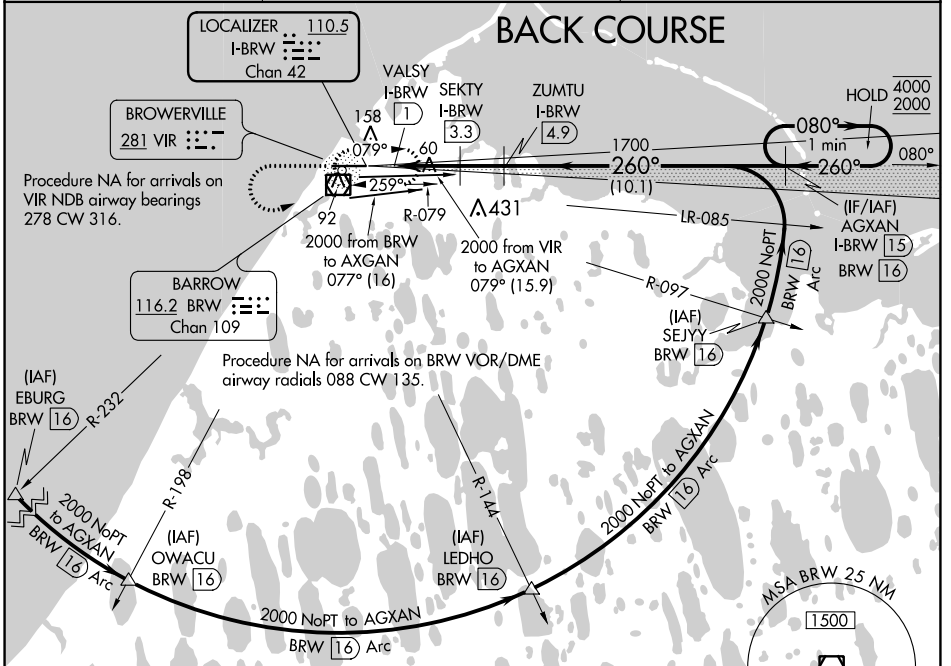
WILEY POST-WILL ROGERS MEML (BRW)(PABR)

DME required.

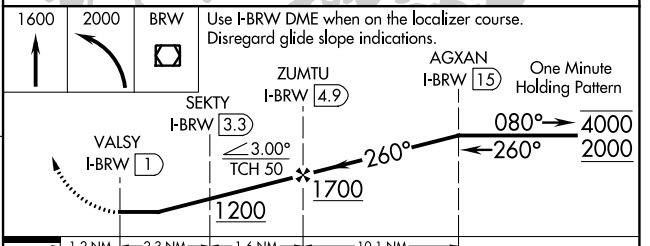
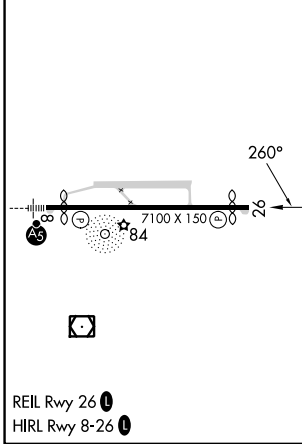
⚠ Circling NA for Cat A north of Rwy 8-26.

MISSED APPROACH: Climb to 1600 then climbing left turn to 2000 direct BRW VOR/DME and hold, continue climb-in-hold to 2000.

AFIS 132.15	ANCHORAGE CENTER 135.3 239.25	BARROW RADIO 123.6 (CTAF) 0
-----------------------	---	---------------------------------------



ELEV 49	D TDZE 46
---------	------------------



CATEGORY	A	B	C	D
S-26		360-1 ³ / ₈	314 (400-1 ³ / ₈)	
C CIRCLING	420-1 ³ / ₈ 371 (400-1 ³ / ₈)	500-1 ³ / ₈ 451 (500-1 ³ / ₈)	500-1 ¹ / ₂ 451 (500-1 ¹ / ₂)	680-2 631 (700-2)

AK, 11 JUL 2024 to 05 SEP 2024

AK, 11 JUL 2024 to 05 SEP 2024