

APP CRS	Rwy Idg	2500
051°	TDZE	1209
	Apt Elev	1209

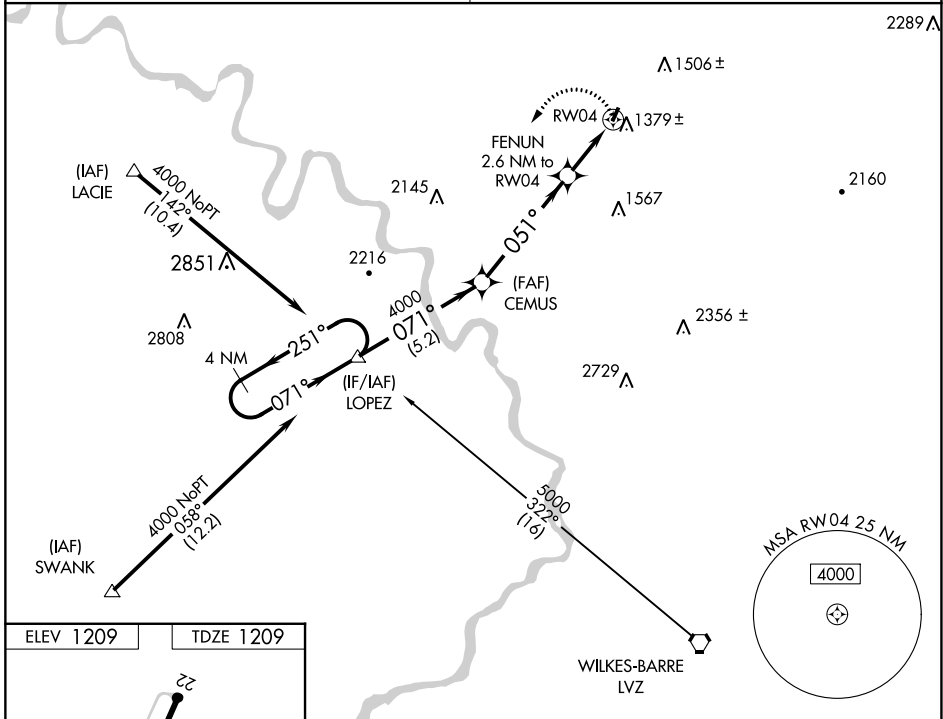
RNAV (GPS) RWY 4

SEAMANS FLD (9N3)

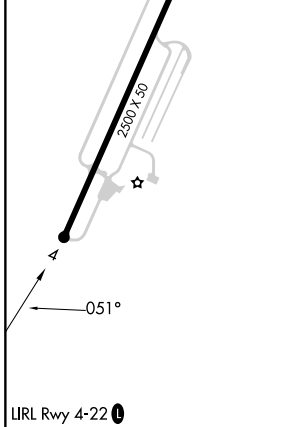
▼ DME/DME RNP-0.3 NA.
▲ NA Obtain local altimeter setting on CTAF; when not received, use Wilkes-Barre/Scranton Intl altimeter setting.
 VDP NA when using Wilkes-Barre/Scranton Intl altimeter setting.

MISSED APPROACH: Climbing left turn to 4000 direct LOPEZ and hold.

WILKES-BARRE APP CON 120.95 256.7	UNICOM 122.7 (CTAF) 0
---	---------------------------------



ELEV 1209	TDZE 1209
-----------	-----------



4 NM Holding Pattern	LOPEZ	CEMUS	4000	LOPEZ
	4000 ← 251°	071° →	4000	▲
	← 071°	→ 051°	FENUN 2.6 NM to RW04	1.1 NM to RW04
		3.49° TCH 40		RW04
	5.2 NM	4.9 NM	1.5 NM	1.1 NM
CATEGORY	A	B	C	D
LNAV MDA	1640-1	431 (500-1)		NA
CIRCLING	1720-1 511 (600-1)	1780-1 571 (600-1)		NA
WILKES-BARRE/SCRANTON INTL ALTIMETER SETTING MINIMUMS				
LNAV MDA	1720-1	511 (600-1)		NA
CIRCLING	1800-1 591 (600-1)	1860-1 651 (700-1)		NA

NE-4, 11 JUL 2024 to 08 AUG 2024

NE-4, 11 JUL 2024 to 08 AUG 2024