

APP CRS	Rwy Idg	3934
237°	TDZE	365
	Apt Elev	365

RNAV (GPS) RWY 23

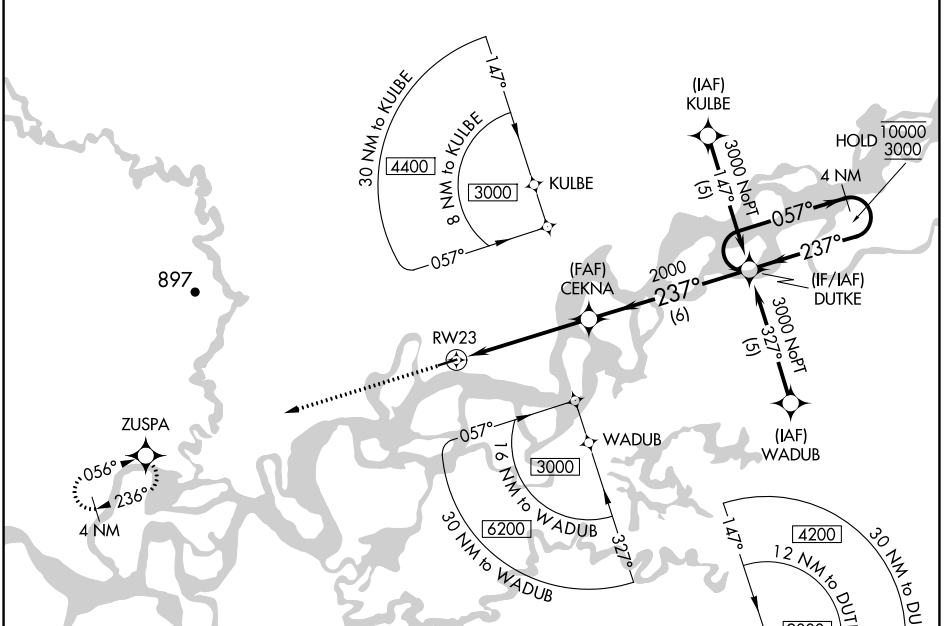
BEAVER (WBQ)(PAWB)

RNP APCH-GPS.

▼ Rwy 23 helicopter visibility reduction below 3/4 SM NA.
▲ NA Use Fort Yukon altimeter setting.

MISSED APPROACH: Climb to 3000 direct ZUSPA and hold.

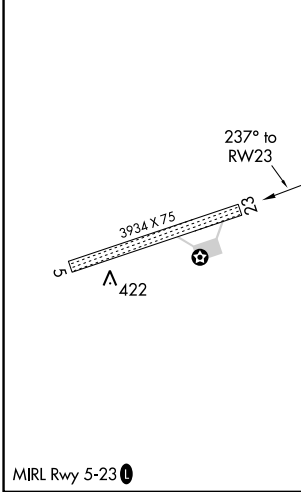
FYU/PFYU AWOS-3P 125.8	FAIRBANKS RADIO 122.05 122.15	CTAF 122.9 0
----------------------------------	---	------------------------



AK, 11 JUL 2024 to 05 SEP 2024

AK, 11 JUL 2024 to 05 SEP 2024

ELEV 365	TDZE 365
----------	----------



3000 ZUSPA CEKNA DUTKE RWY 23 3.03° TCH 40 2000 5 NM 6 NM 4 NM Holding Pattern 10000 3000 057° 237°																			
	<table border="1"> <thead> <tr> <th>CATEGORY</th> <th>A</th> <th>B</th> <th>C</th> <th>D</th> </tr> </thead> <tbody> <tr> <td>LNAV MDA</td> <td>940-1</td> <td>575 (600-1)</td> <td>940-1½ 575 (600-1½)</td> <td>NA</td> </tr> <tr> <td> CIRCLING</td> <td>940-1</td> <td>575 (600-1)</td> <td>940-1½ 575 (600-1½)</td> <td>NA</td> </tr> </tbody> </table>	CATEGORY	A	B	C	D	LNAV MDA	940-1	575 (600-1)	940-1½ 575 (600-1½)	NA	CIRCLING	940-1	575 (600-1)	940-1½ 575 (600-1½)	NA			
CATEGORY	A	B	C	D															
LNAV MDA	940-1	575 (600-1)	940-1½ 575 (600-1½)	NA															
CIRCLING	940-1	575 (600-1)	940-1½ 575 (600-1½)	NA															