

LOC/DME I-BRW <b>110.5</b> Chan 42	APP CRS <b>260°</b>	Rwy Idg <b>5900</b> TDZE <b>46</b> Apt Elev <b>49</b>
--	------------------------	---

# LOC BC RWY 26

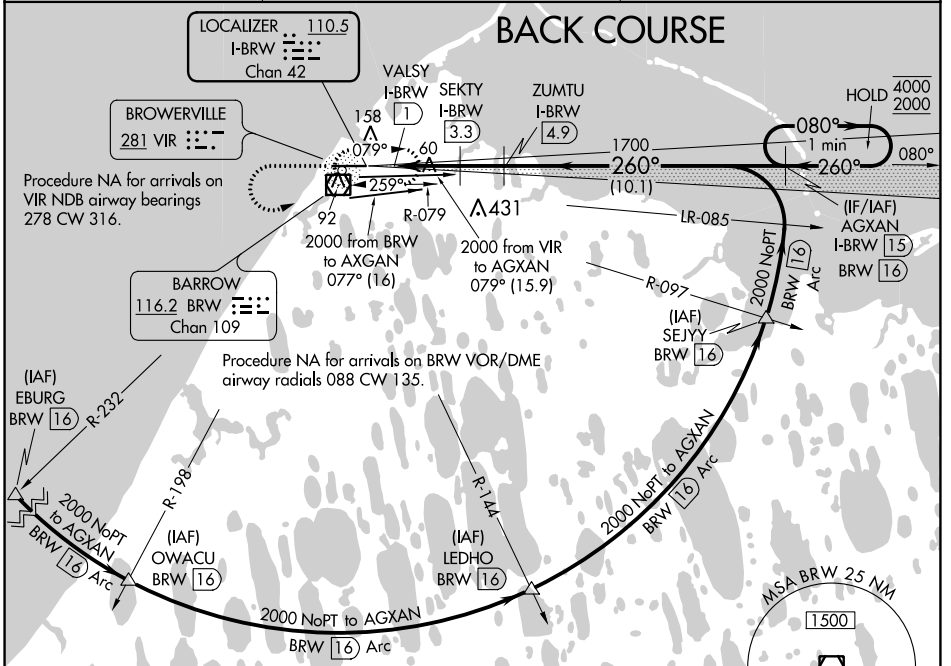
WILEY POST-WILL ROGERS MEML (BRW)(PABR)

DME required.

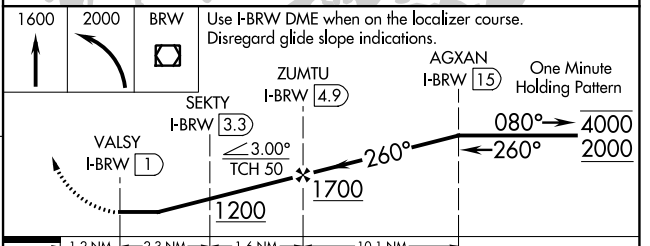
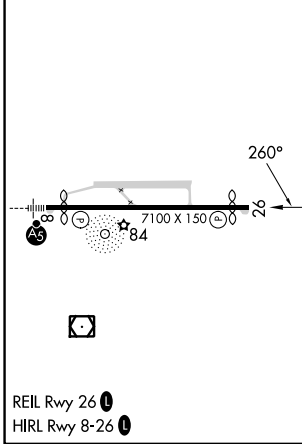
**⚠** Circling NA for Cat A north of Rwy 8-26.

MISSED APPROACH: Climb to 1600 then climbing left turn to 2000 direct BRW VOR/DME and hold, continue climb-in-hold to 2000.

AFIS <b>132.15</b>	ANCHORAGE CENTER <b>135.3 239.25</b>	BARROW RADIO <b>123.6 (CTAF) 0</b>
-----------------------	---	---------------------------------------



ELEV 49	<b>D</b> TDZE 46
---------	------------------



CATEGORY	A	B	C	D
S-26		360-1 $\frac{3}{8}$	314 (400-1 $\frac{3}{8}$ )	
<b>C</b> CIRCLING	420-1 $\frac{3}{8}$ 371 (400-1 $\frac{3}{8}$ )	500-1 $\frac{3}{8}$ 451 (500-1 $\frac{3}{8}$ )	500-1 $\frac{1}{2}$ 451 (500-1 $\frac{1}{2}$ )	680-2 631 (700-2)

AK, 11 JUL 2024 to 05 SEP 2024

AK, 11 JUL 2024 to 05 SEP 2024