

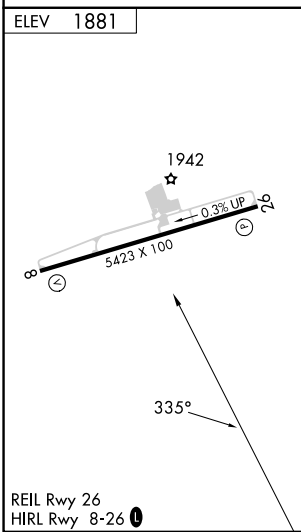
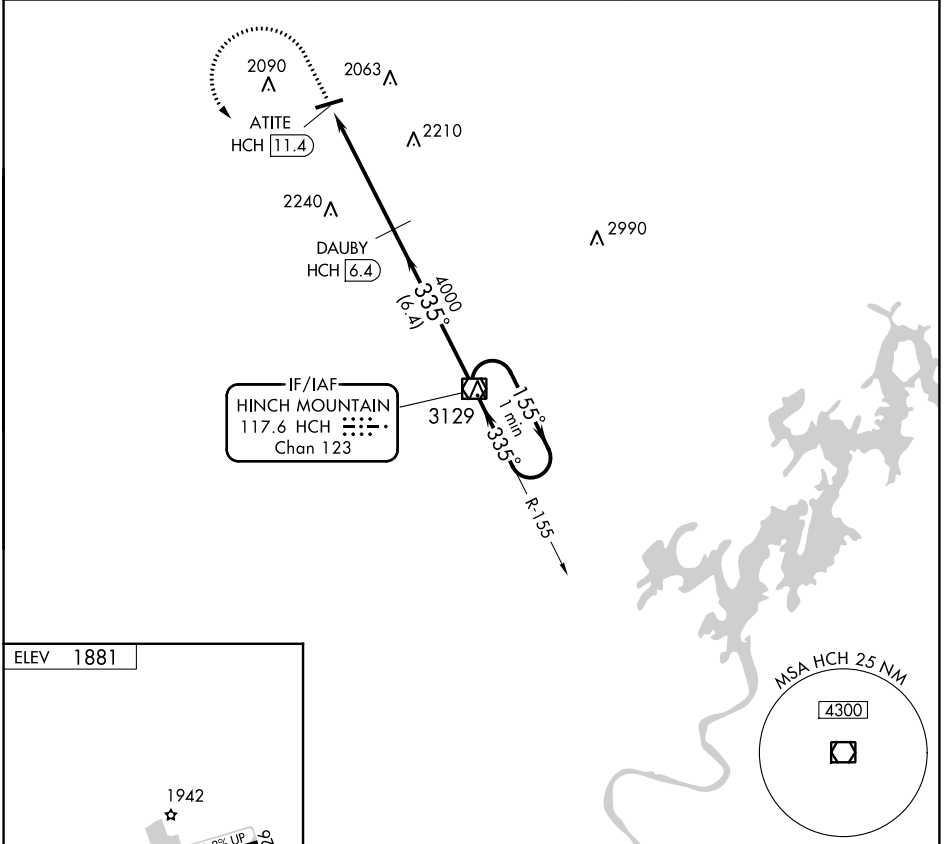
VOR/DME HCH 117.6 Chan 123	APP CRS 335°	Rwy Idg TDZE Apt Elev 1881	N/A N/A 1881
--	------------------------	---	--------------------

VOR-A

CROSSVILLE MEML-WHITSON FLD (CSV)

NA	DME required.	MISSED APPROACH: Climb to 3000 then climbing left turn to 5000 direct HCH VOR/DME and hold.
-----------	---------------	---

ASOS 120.625	ATLANTA CENTER 133.6 254.3	UNICOM 122.7 (CTAF)
------------------------	--------------------------------------	-------------------------------



3000	5000	HCH	HCH VOR/DME	One Minute Holding Pattern
↑	↻	☐	DAUBY HCH 6.4	
ATITE HCH 11.4		4000	155° →	← 335° 5000
5 NM		6.4 NM		
CATEGORY	A	B	C	D
C CIRCLING	2340-1	459 (500-1)	2340-1½ 459 (500-1½)	2540-2 659 (700-2)

VOR-A

SE-1, 05 SEP 2024 to 03 OCT 2024

SE-1, 05 SEP 2024 to 03 OCT 2024