

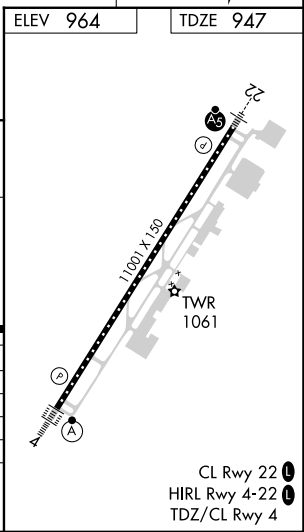
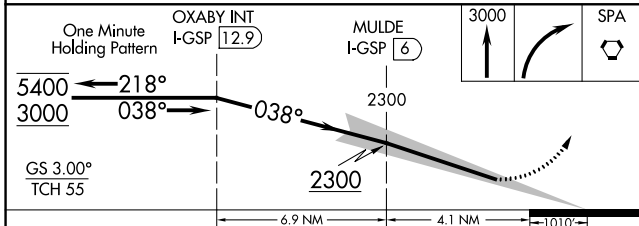
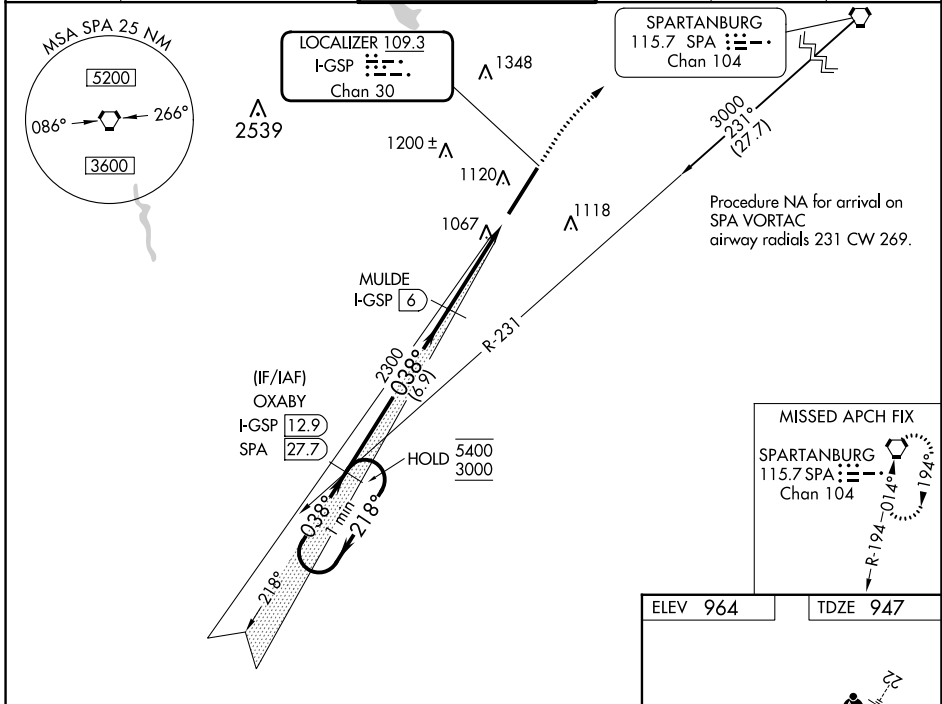
LOC/DME I-GSP 109.3 Chan 30	APP CRS 038°	Rwy Idg 1101 TDZE 947 Apt Elev 964
--	------------------------	---

ILS RWY 4 (CAT II & III)

GREENVILLE SPARTANBURG INTL (GSP)

DME required.		ALSF-2	MISSED APPROACH: Climb to 3000 then right turn direct SPA VORTAC and hold.	
CAT II: RVR 1000 authorized with specific OPSPEC, MSPEC, or LOA approval and use of autoland or HUD to touchdown. Procedure NA when control tower closed.				

ATIS 134.25	GREER APP CON* 118.8 270.275	GREER TOWER* 120.1 (CTAF) 251.15	GND CON 121.9	CLNC DEL 121.9	UNICOM 122.95
-----------------------	--	--	-------------------------	--------------------------	-------------------------



CATEGORY	A	B	C	D
S-ILS 4	CAT II RA 142/12		100 DA 1047	
S-ILS 4	CAT IIIa		RVR 07	
S-ILS 4	CAT IIIb		RVR 06	
S-ILS 4	CAT IIIc		NA	

CATEGORY II & III ILS - SPECIAL AIRCREW & AIRCRAFT CERTIFICATION REQUIRED

SE-2, 05 SEP 2024 to 03 OCT 2024

SE-2, 05 SEP 2024 to 03 OCT 2024