

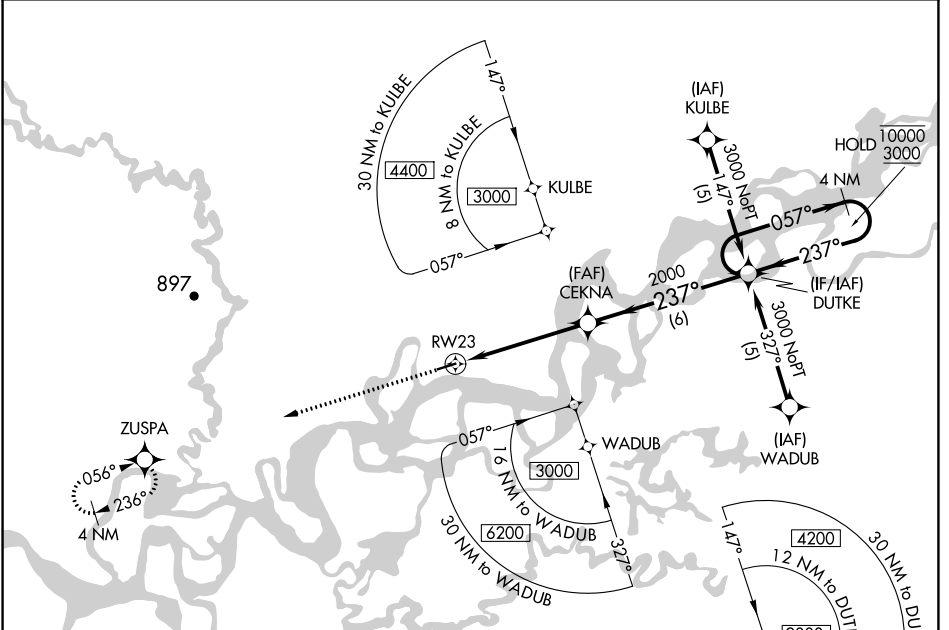
APP CRS 237°	Rwy Idg TDZE Apt Elev	3934 365 365
------------------------	-----------------------------	---

RNAV (GPS) RWY 23

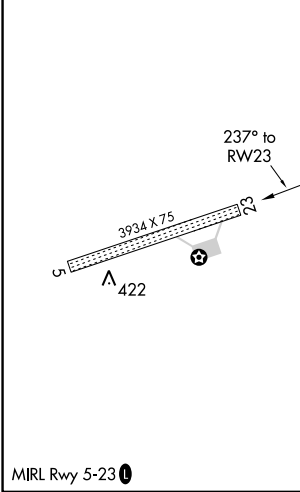
BEAVER (WBQ)(PAWB)

RNP APCH-GPS.	MISSED APPROACH: Climb to 3000 direct ZUSPA and hold.
▼ Rwy 23 helicopter visibility reduction below 3/4 SM NA.	
▲ NA Use Fort Yukon altimeter setting.	

FYU/PFYU AWOS-3P 125.8	FAIRBANKS RADIO 122.05 122.15	CTAF 122.9 0
----------------------------------	---	------------------------



ELEV 365	TDZE 365
----------	----------



3000	ZUSPA	DUTKE	4 NM Holding Pattern	
↑	✦			
RWY 23	CEKNA	DUTKE	10000 / 3000	
↖	↗	↖	↗	
5 NM	6 NM			
CATEGORY	A	B	C	D
LNAV MDA	940-1	575 (600-1)	940-1½ 575 (600-1½)	NA
☑ CIRCLING	940-1	575 (600-1)	940-1½ 575 (600-1½)	NA

AK, 05 SEP 2024 to 31 OCT 2024

AK, 05 SEP 2024 to 31 OCT 2024