

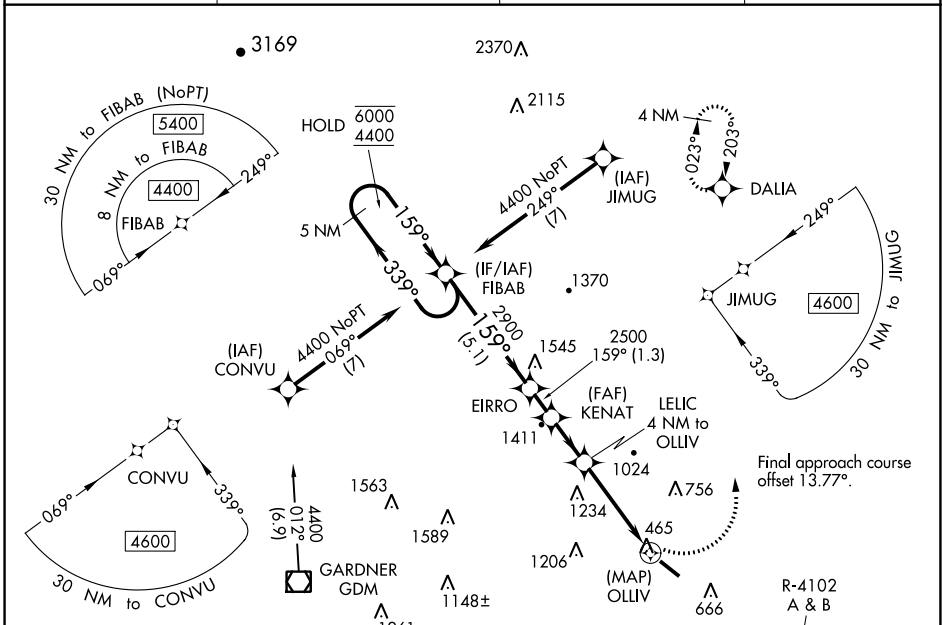
APP CRS	Rwy Idg	4538
159°	TDZE	344
	Apt Elev	345

RNAV (GPS) RWY 14

FITCHBURG MUNI (FIT)

RNP APCH.	MISSED APPROACH: Climbing left turn to 3500 direct DALIA and hold.
 Rwy 14 helicopter visibility reduction below 3/4 SM NA. Circling NA southwest of Rwy 14-32 at night.	
-22°C	

ASOS 135.175	BOSTON APP CON 124.4 279.6	UNICOM 122.7 (CTAF)	123.0
------------------------	--------------------------------------	-------------------------------	--------------

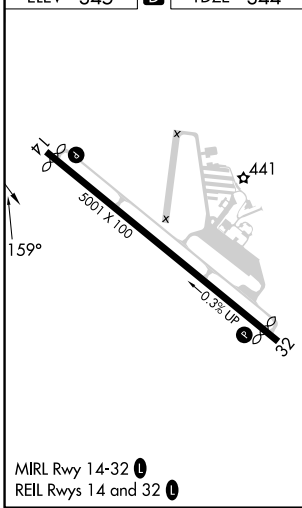


NE-1, 03 OCT 2024 to 31 OCT 2024

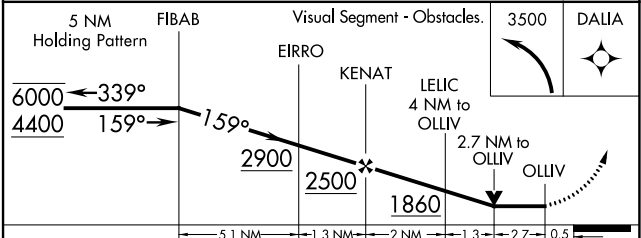
NE-1, 03 OCT 2024 to 31 OCT 2024

ELEV 345	D	TDZE 344
----------	----------	----------

Procedure NA for arrival on GDM VOR/DME airway radials 339 CW 042.



MIRL Rwy 14-32
 REL Rwy 14 and 32



CATEGORY	A	B	C	D
LNAV MDA	1420-1 1/4 1076 (1100-1 1/4)	1420-1 1/2 1076 (1100-1 1/2)	1420-3 1076 (1100-3)	NA
C CIRCLING	1420-1 1/4 1075 (1100-1 1/4)	1420-1 1/2 1075 (1100-1 1/2)	1520-3 1175 (1200-3)	NA