

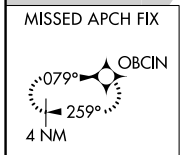
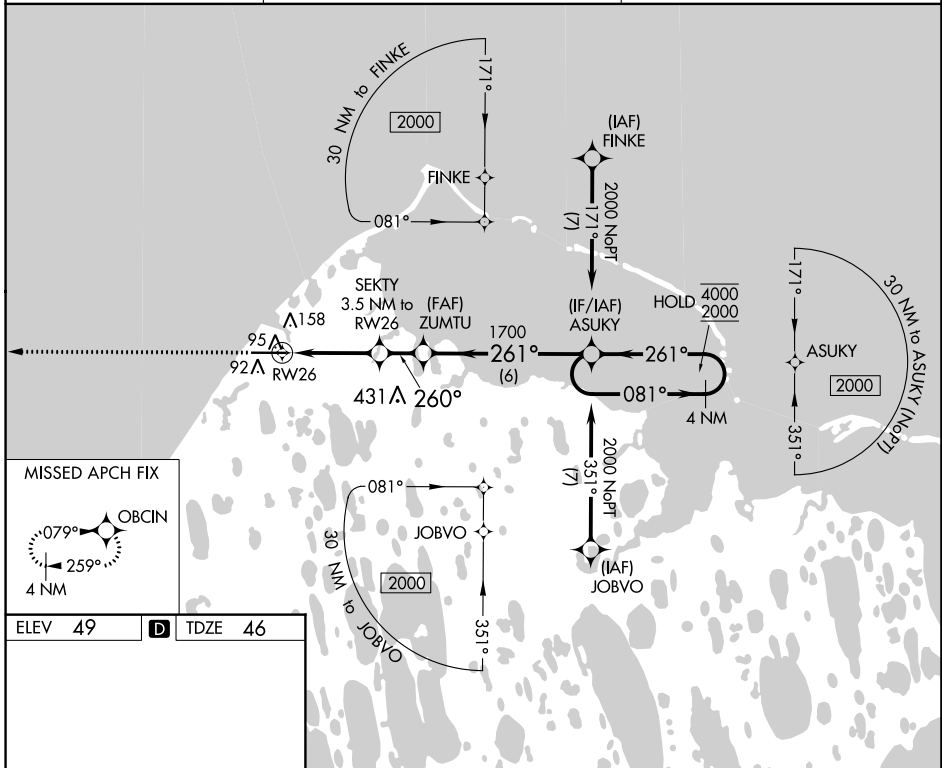
APP CRS	Rwy Idg	<b>5900</b>
<b>260°</b>	TDZE	<b>46</b>
	Apt Elev	<b>49</b>

# RNAV (GPS) RWY 26

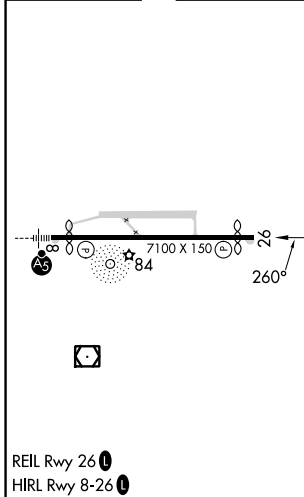
WILEY POST-WILL ROGERS MEML (BRW)(PABR)

RNP APCH-GPS.	MISSED APPROACH: Climb to 2000 direct OBCIN and hold.
<b>∇</b> <b>▲</b>	Circling NA for Cat A north of Rwy 8-26

AFIS <b>132.15</b>	ANCHORAGE CENTER <b>135.3 239.25</b>	BARROW RADIO <b>123.6 (CTAF)</b>
-----------------------	---	-------------------------------------



ELEV 49	<b>D</b> TDZE 46
---------	------------------



2000	OBCIN	ASUKY	4 NM Holding Pattern	
SEKTY 3.5 NM to RWY26	ZUMTU	ASUKY	4 NM Holding Pattern	
0.9 NM to RWY26	ZUMTU	ASUKY	4 NM Holding Pattern	
0.9	2.6 NM	1.6 NM	6 NM	
CATEGORY	A	B	C	D
LNAV MDA	360-1 314 (400-1)			
<b>C</b> CIRCLING	420-1 371 (400-1)	500-1 451 (500-1)	500-1½ 451 (500-1½)	680-2 631 (700-2)

# RNAV (GPS) RWY 26

AK, 05 SEP 2024 to 31 OCT 2024

AK, 05 SEP 2024 to 31 OCT 2024