

WAAS CH 70321 W26A	APP CRS 258°	Rwy Idg 11489 TDZE 1135 Apt Elev 1135
--	------------------------	--

RNAV (GPS) Y RWY 26

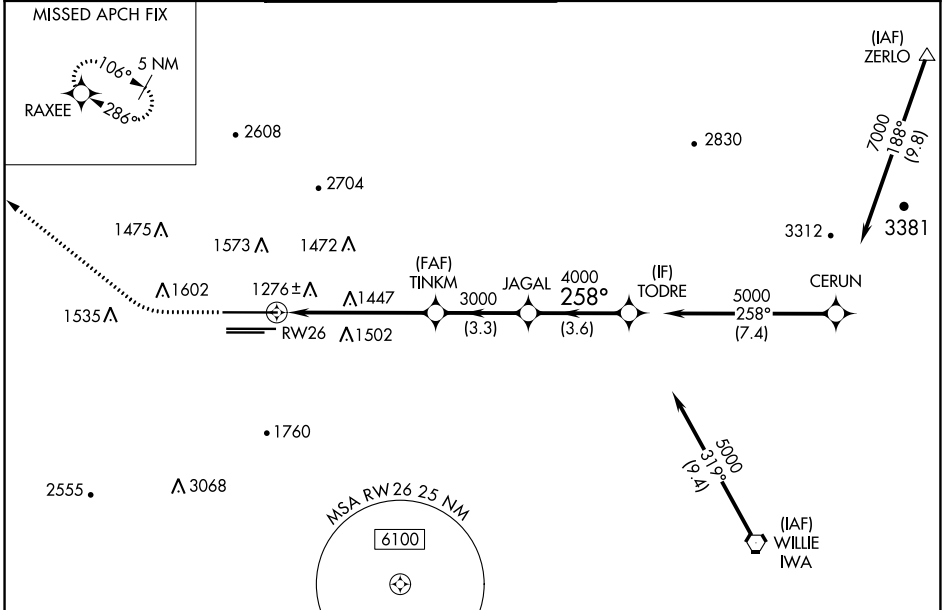
PHOENIX SKY HARBOR INTL (PHX)

RNP APCH-GPS.

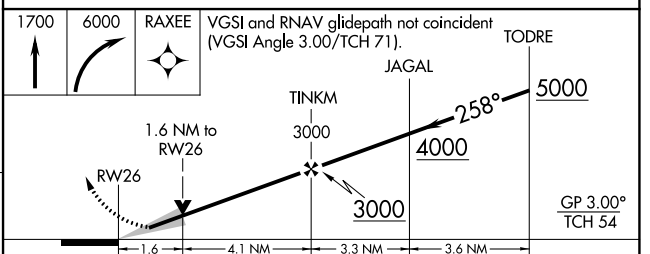
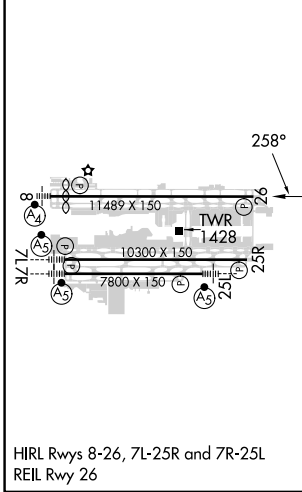
Simultaneous approach authorized. LNAV procedure NA during simultaneous operations. Use of FD or AP required during simultaneous operations. For uncompensated Baro-VNAV systems, procedure NA below 2°C or above 54°C.

MISSED APPROACH: Climb to 1700 then climbing right turn to 6000 direct RAXEE and hold.

D-ATIS 127.575	PHOENIX APP CON 128.65 353.9	PHOENIX TOWER 118.7 278.8 (Rwy 8-26) 120.9 254.3 (Rwy 7L-25R, 7R-25L)	GND CON 119.75 269.2 (N) 132.55 269.2 (S)	CLNC DEL 118.1 269.2	CPDLC
--------------------------	--	---	---	--------------------------------	-------



ELEV 1135	D	TDZE 1135
-----------	----------	-----------



CATEGORY	A	B	C	D
LPV DA		1390-3/4	255 (300-3/4)	
LNAV/VNAV DA		1581-1 3/8	446 (500-1 3/8)	
LNAV MDA	1700-1	565 (600-1)	1700-1 1/8	565 (600-1 1/8)
CIRCLING	1740-1	605 (700-1)	2040-2 3/4 905 (1000-2 3/4)	2340-3 1205 (1300-3)

SW-4, 31 OCT 2024 to 28 NOV 2024

SW-4, 31 OCT 2024 to 28 NOV 2024